





Monty 3D

- 11.6312 **Monty 3D Curved L**
- 11.6312CM **Custom Monty 3D Curved**
- 11.7312 **Monty 3D Curved XL**

Sicherheitshinweise
Safety Instructions 

Montage
Assembly Instructions 

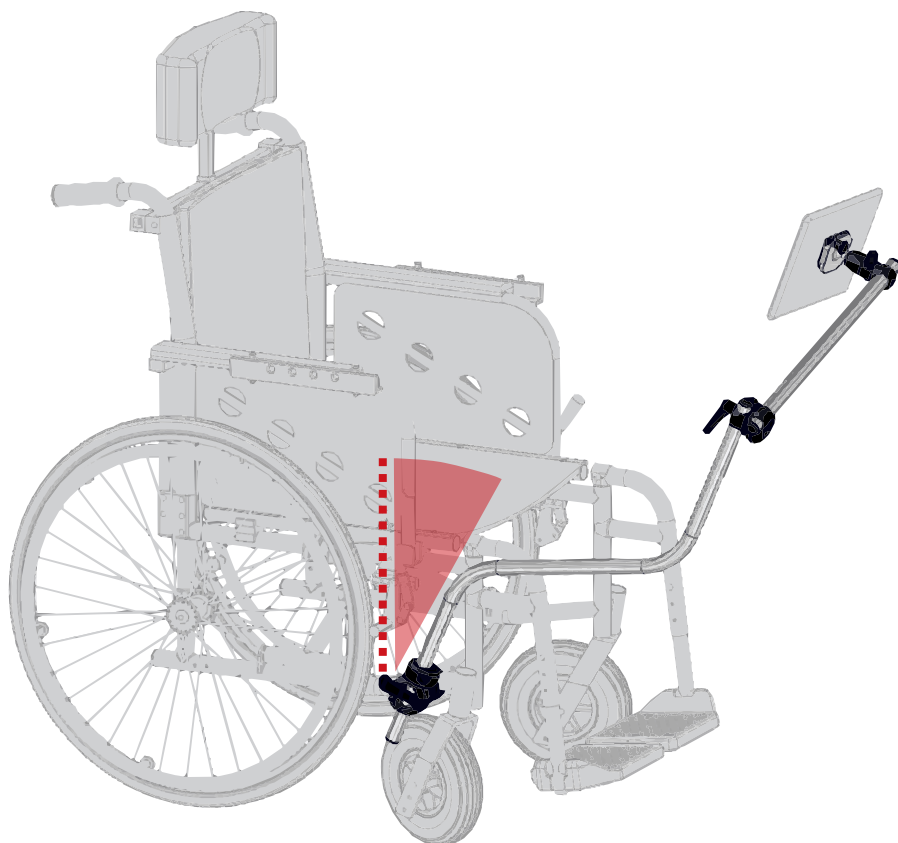
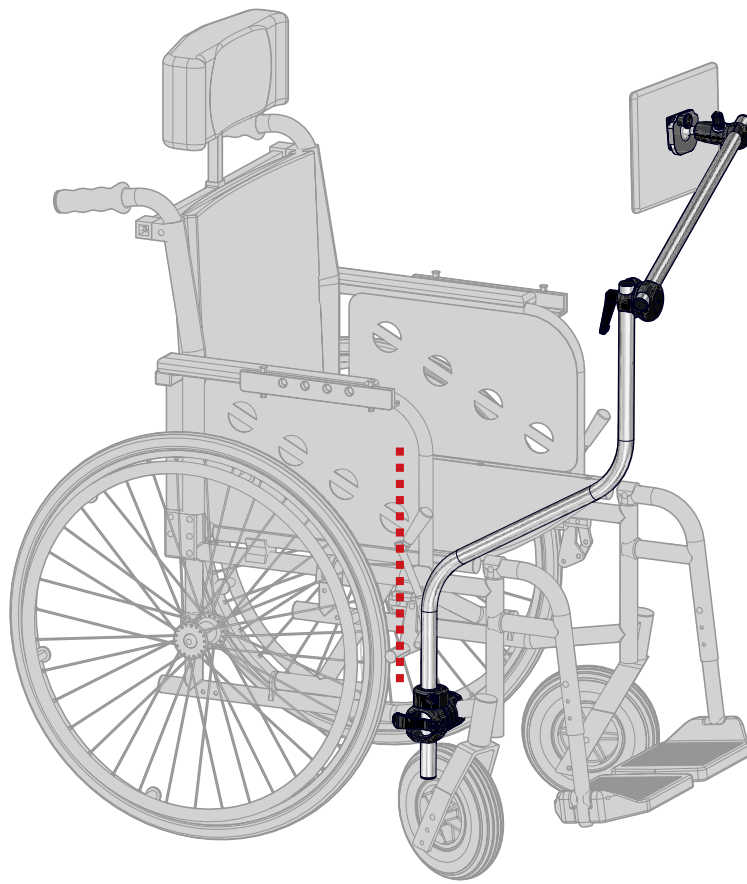
Handhabung
Handling 

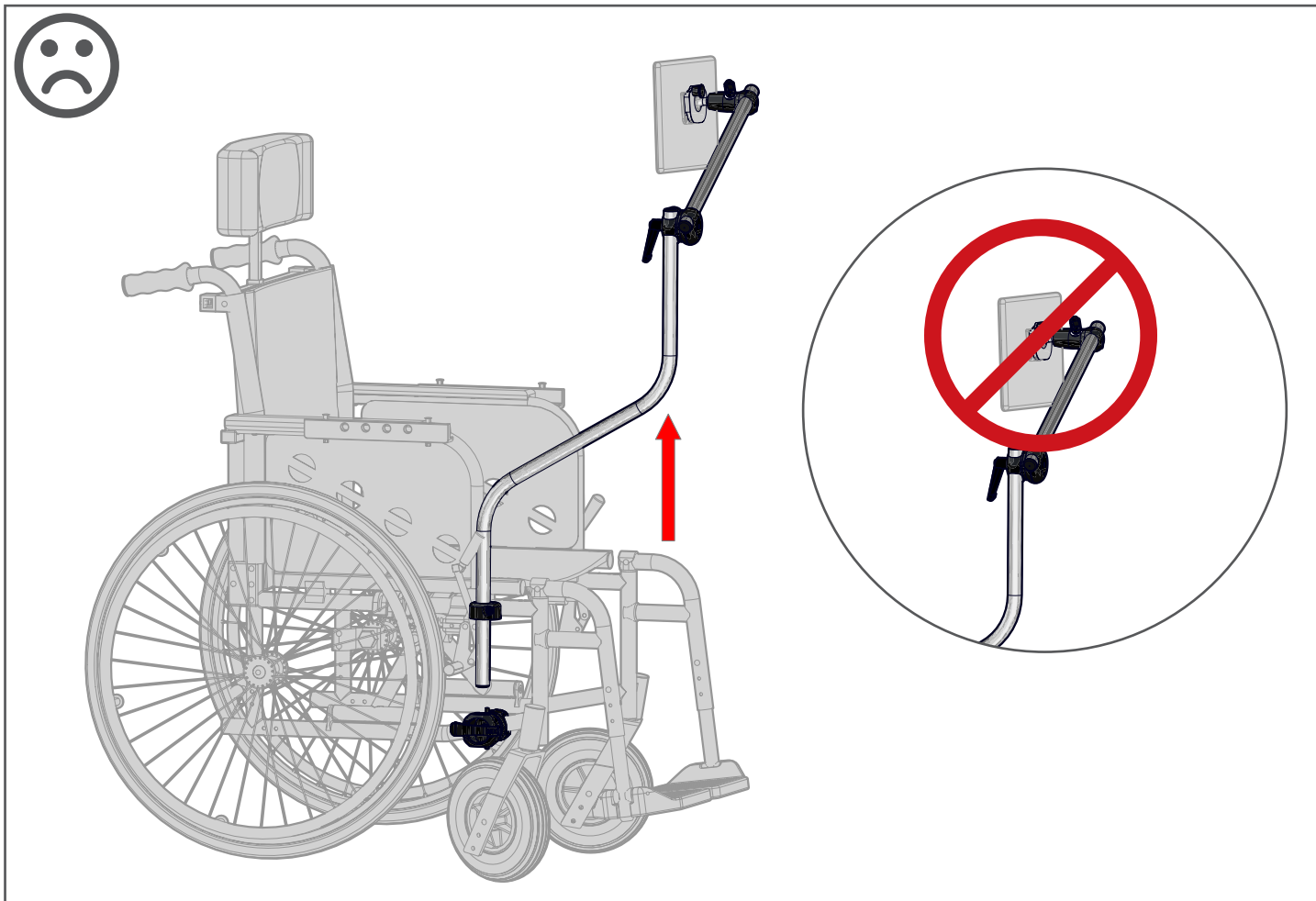
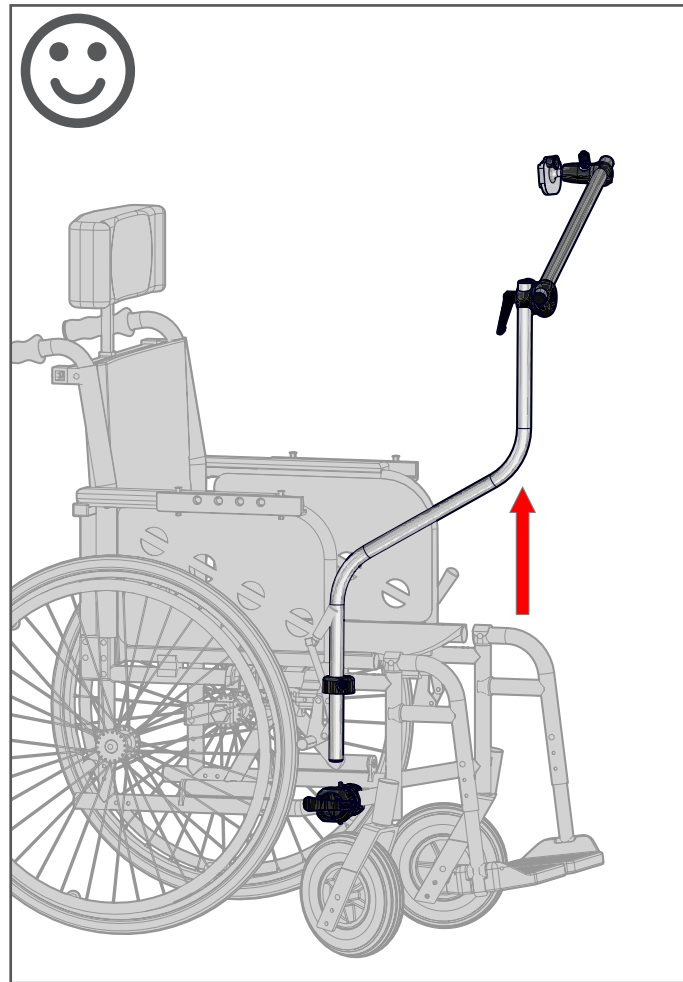
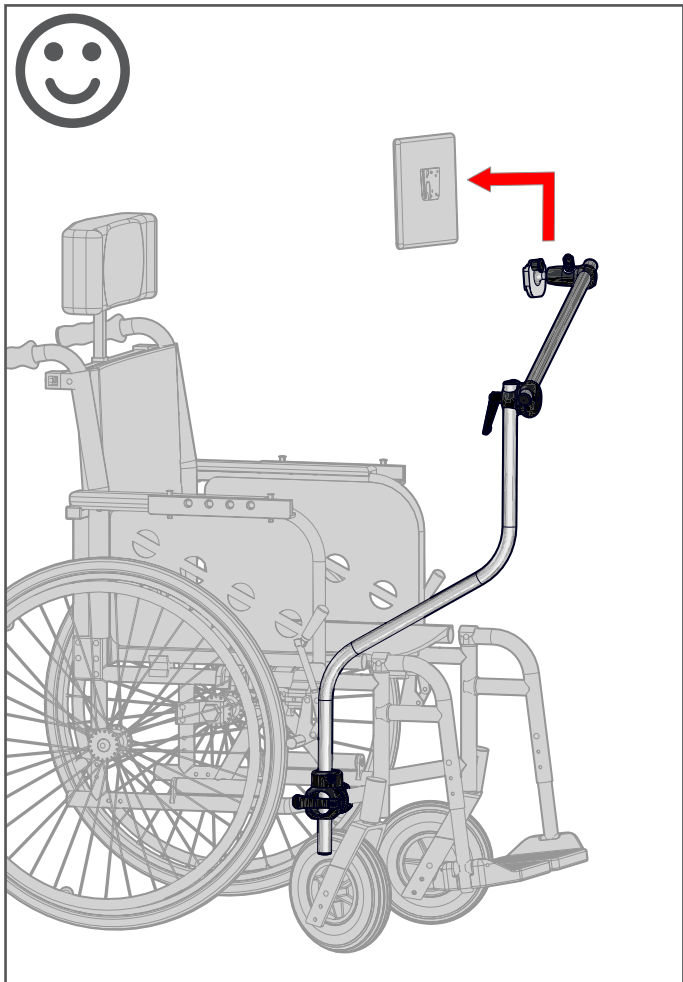
M3D H3D

L3D

2021-02-24
00.5153~A



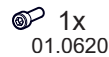
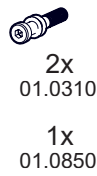
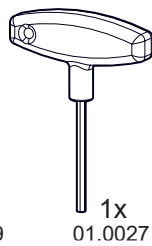
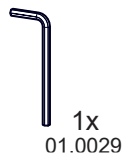
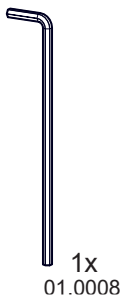
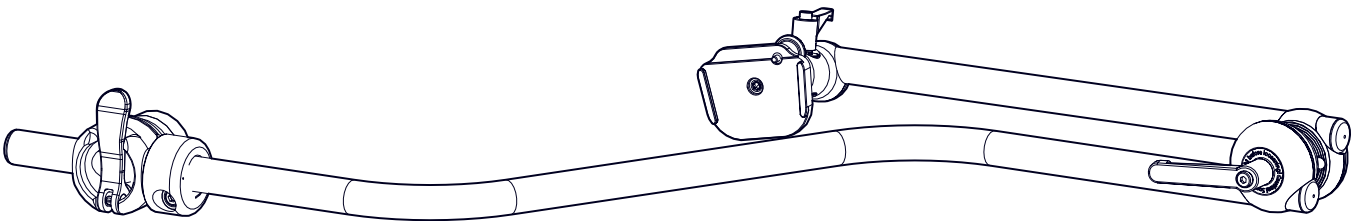
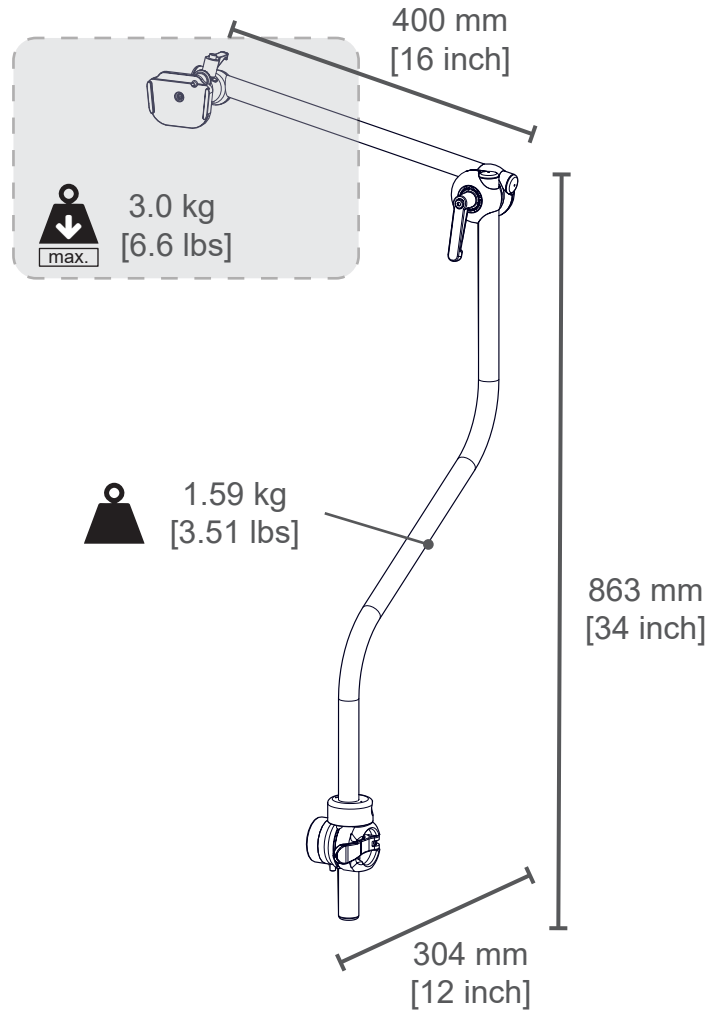
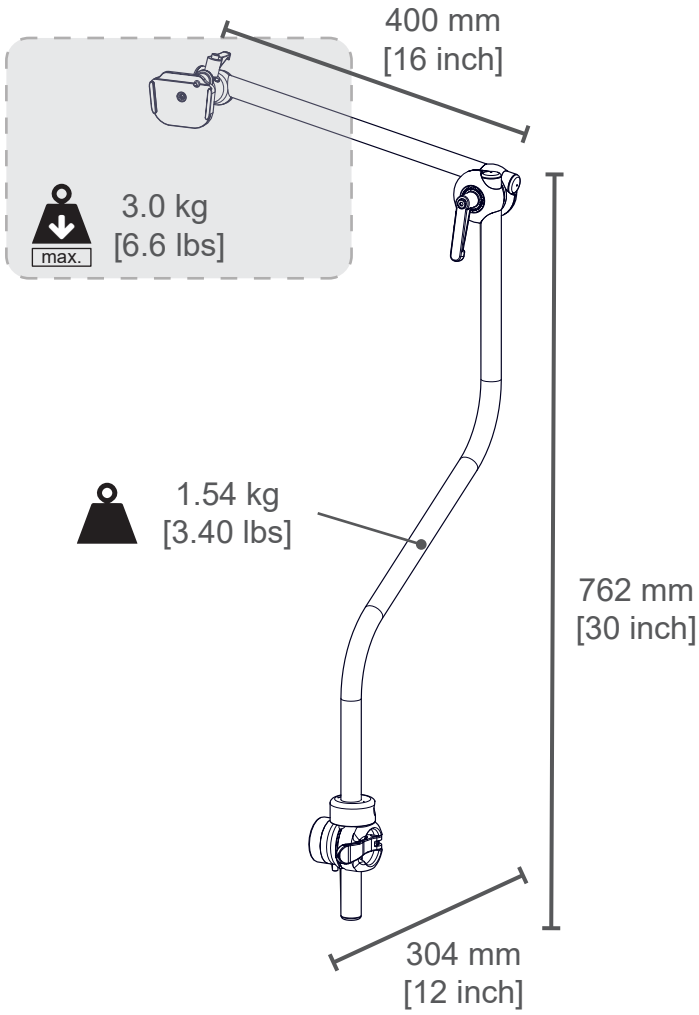


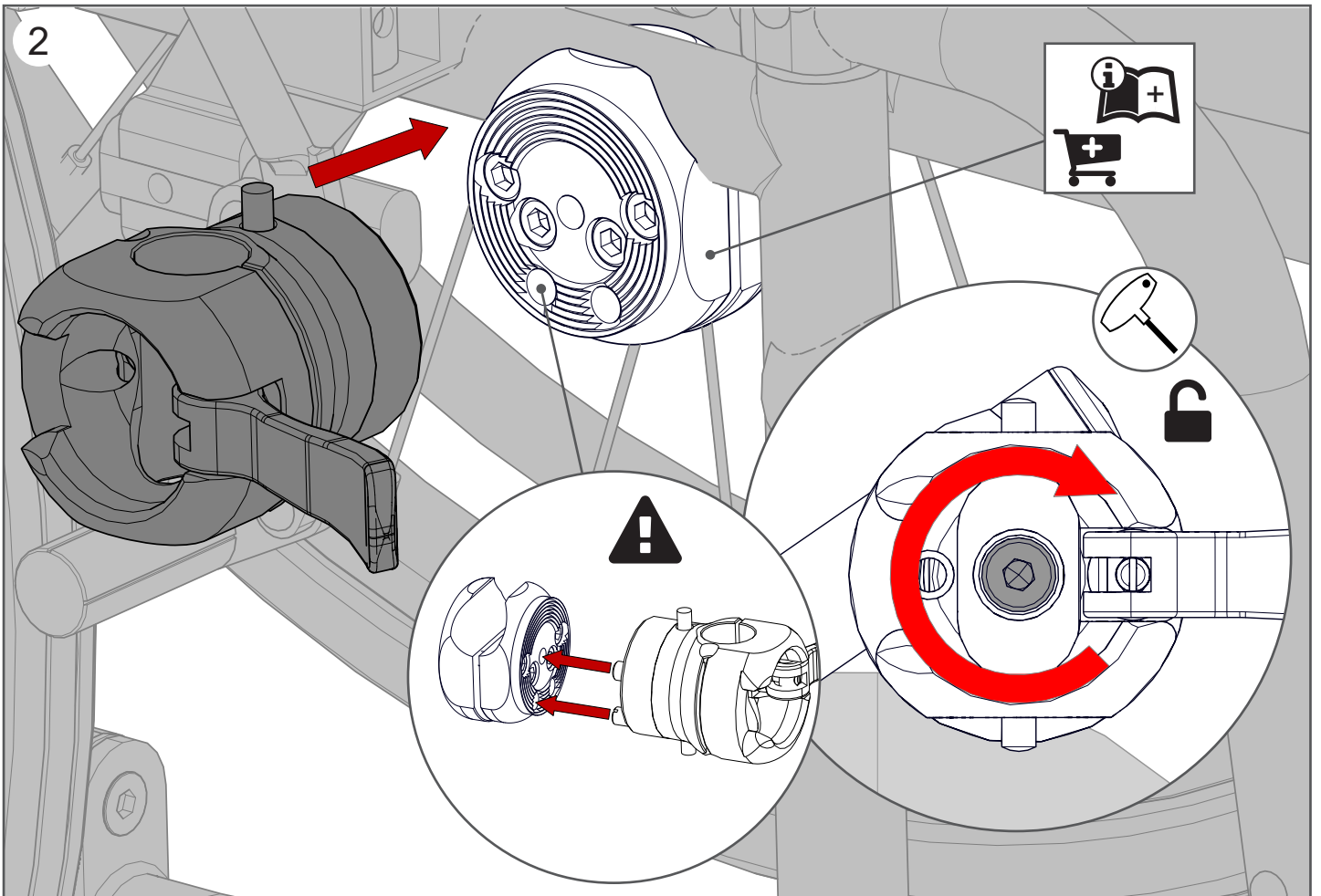
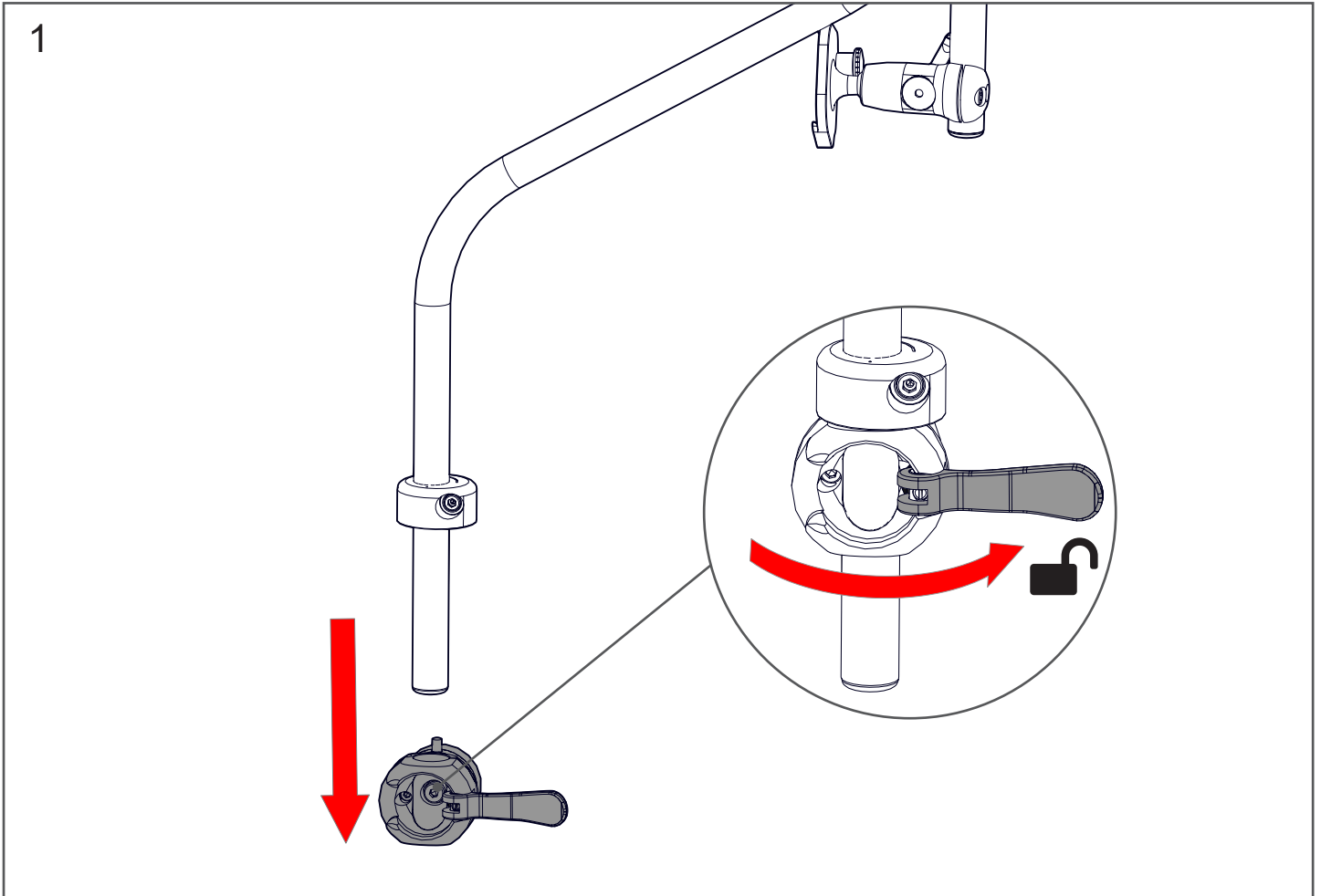


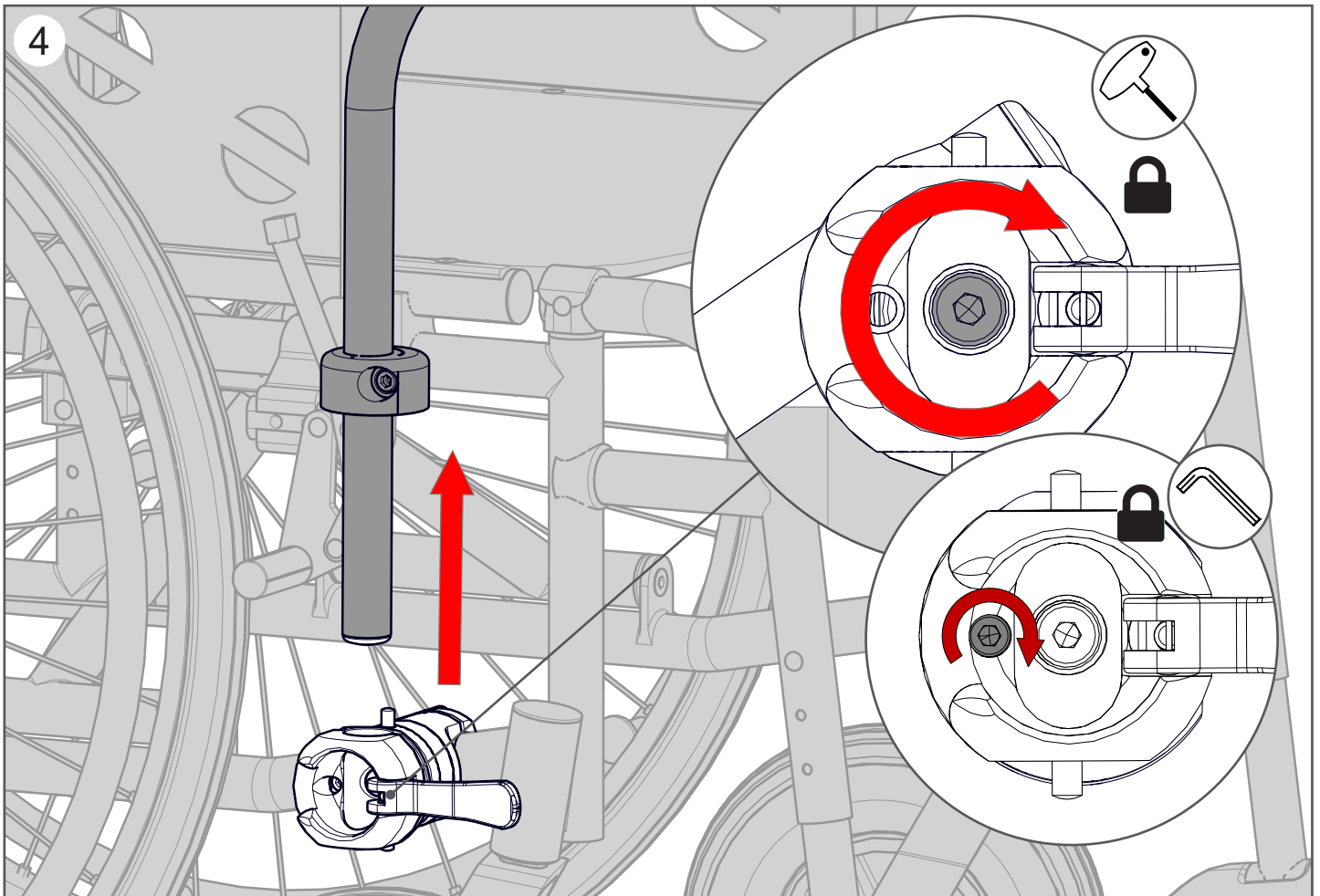
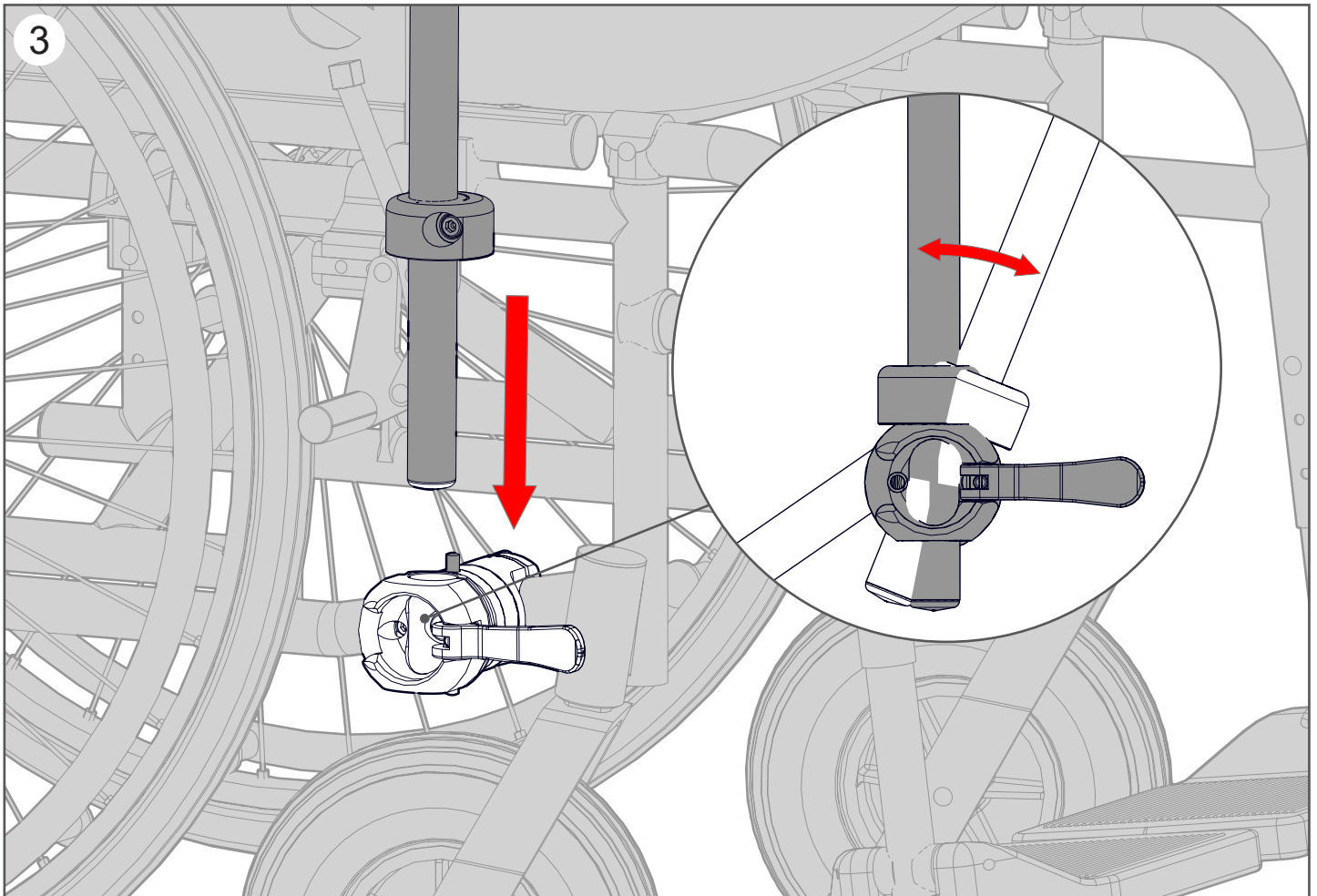


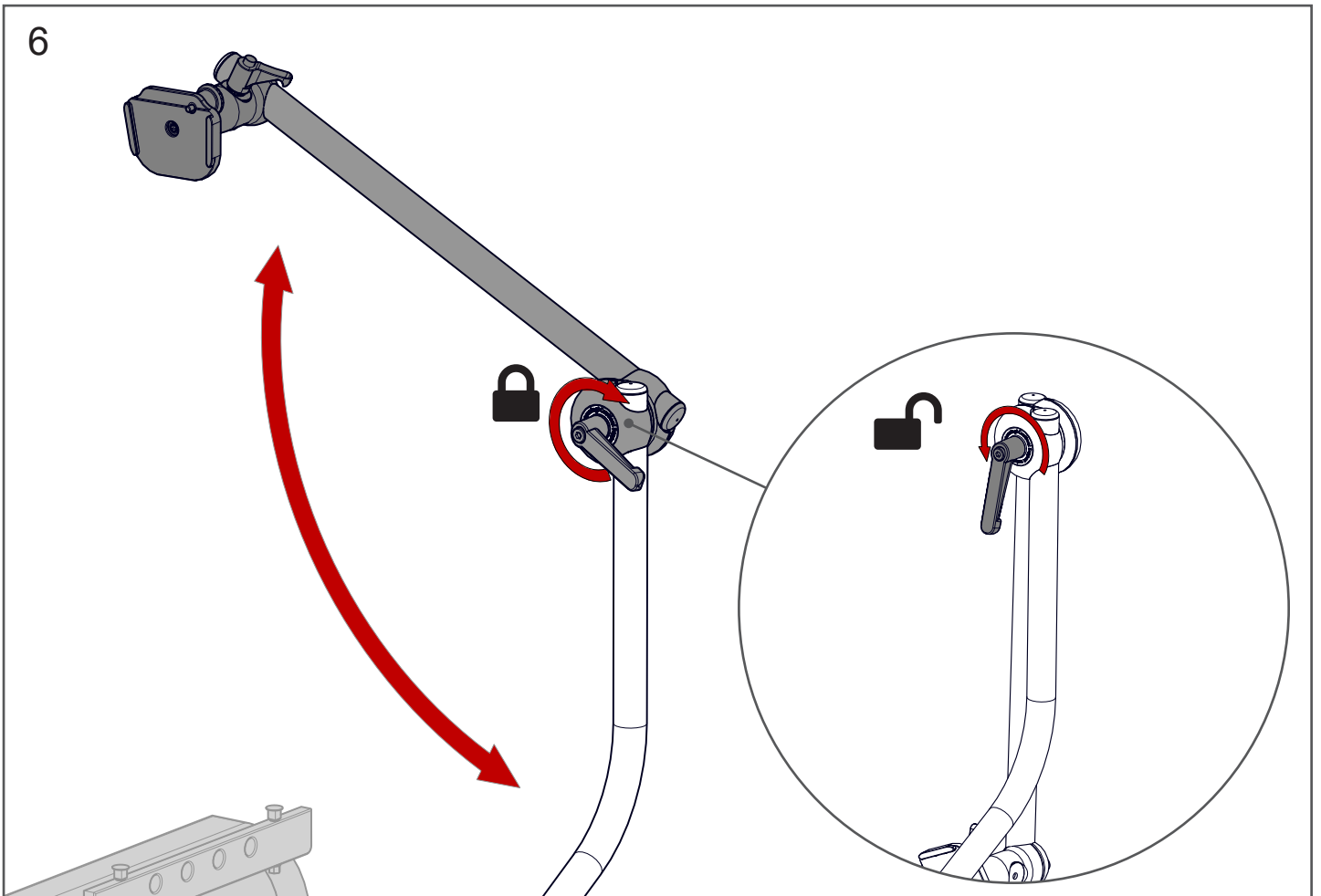
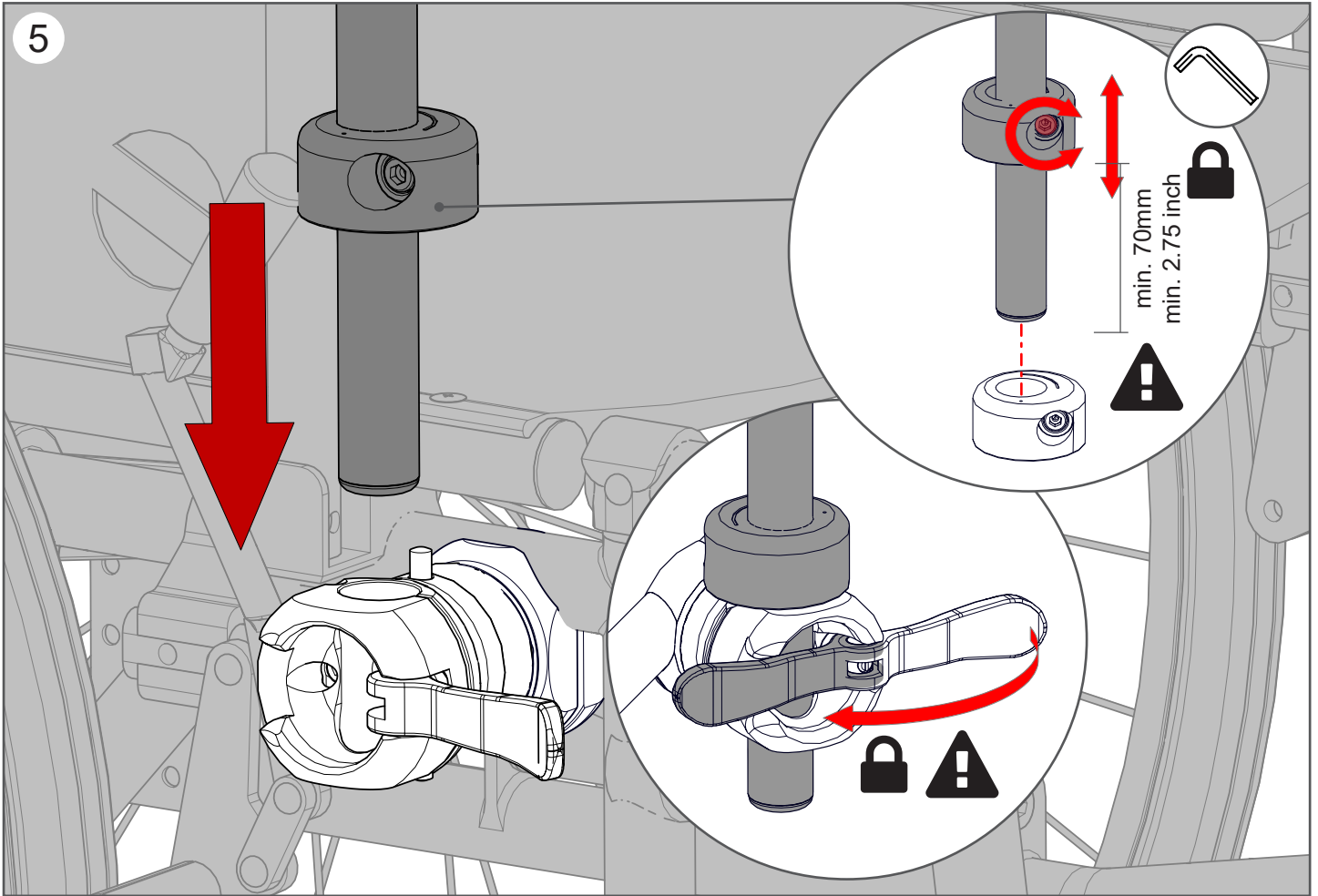
11.6312 M3D Curved L

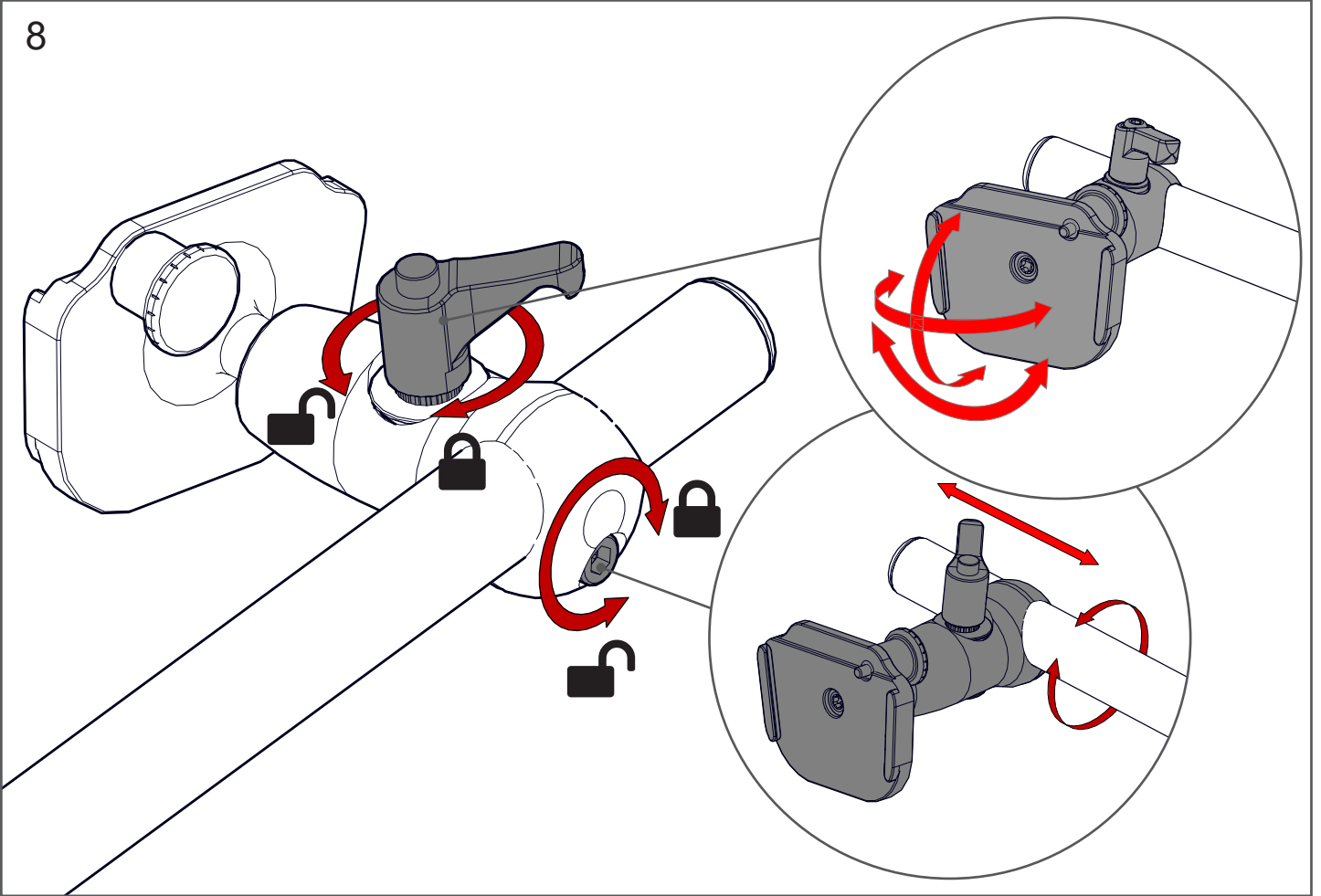
11.7312 M3D Curved XL

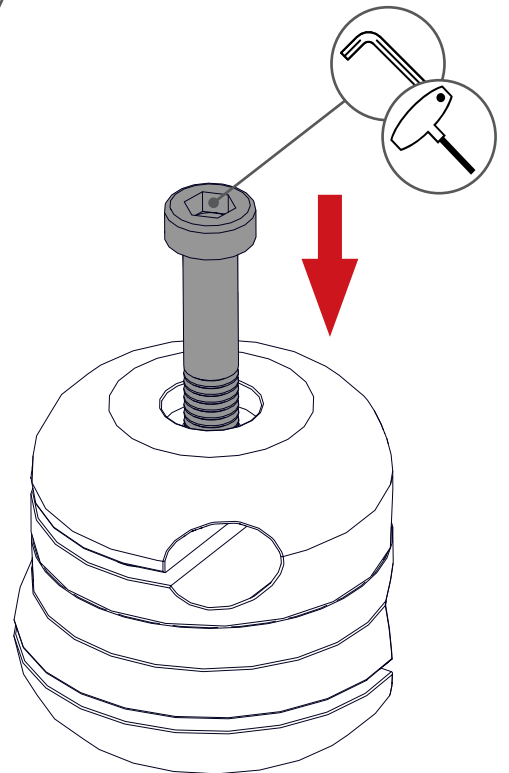
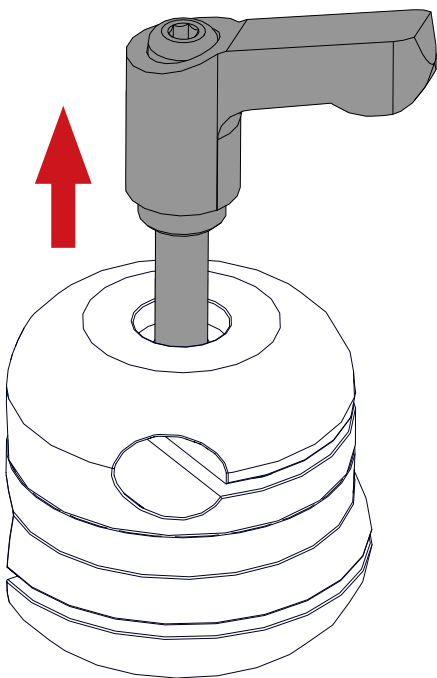
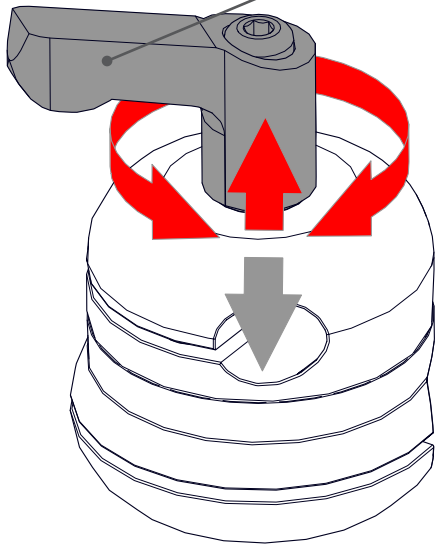
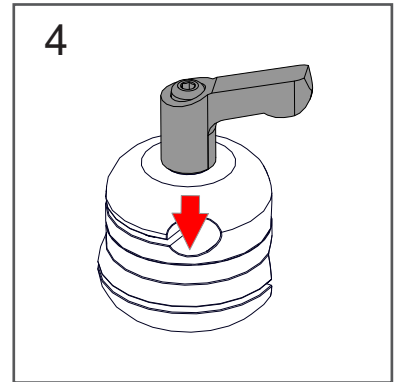
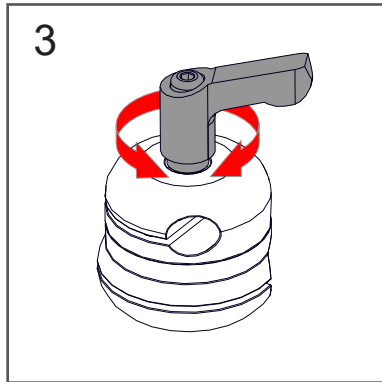
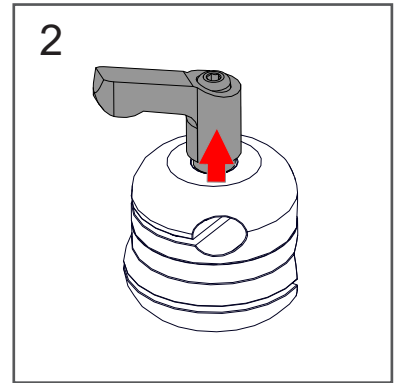
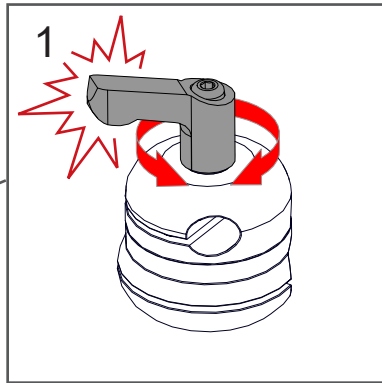
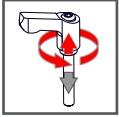






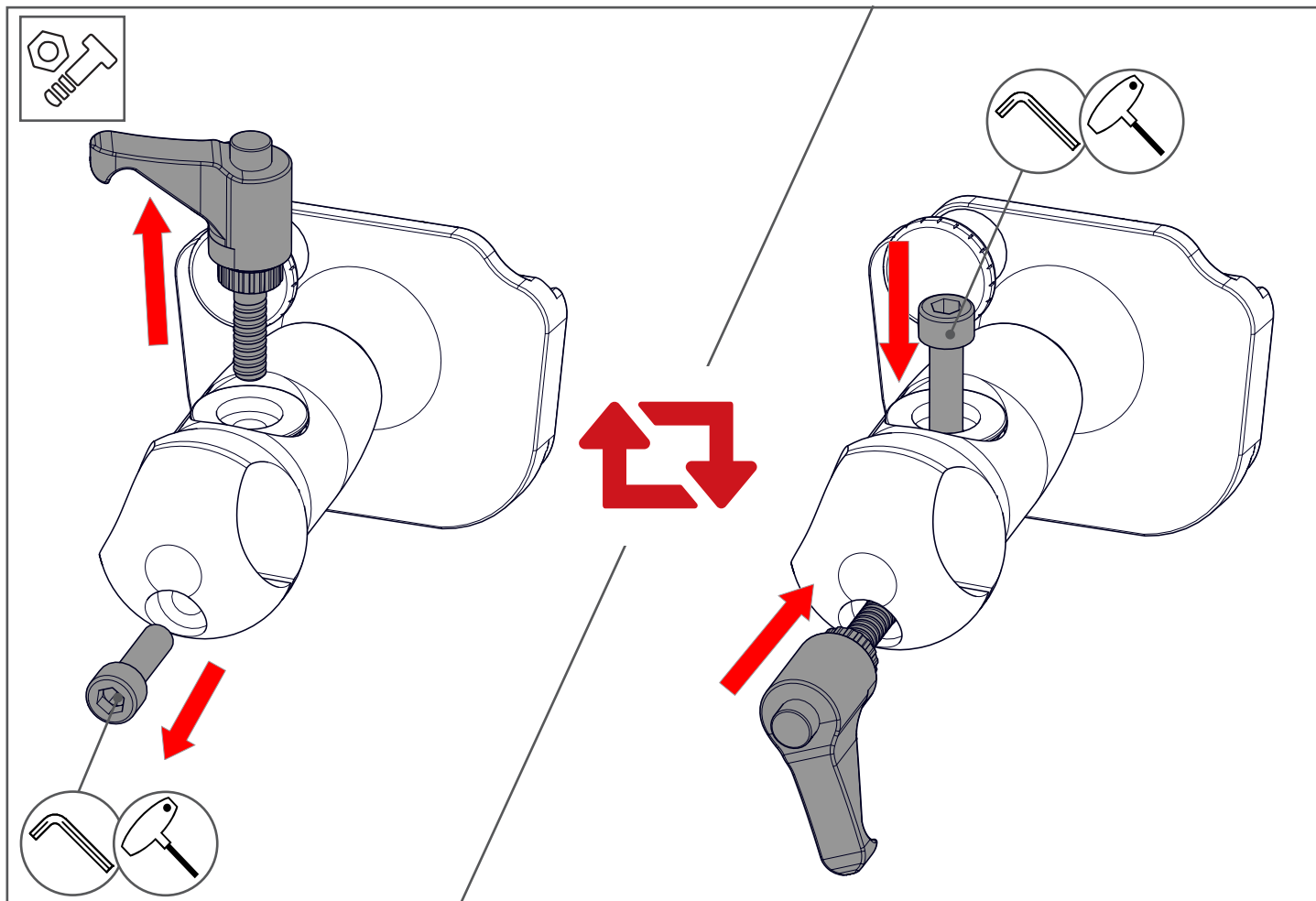
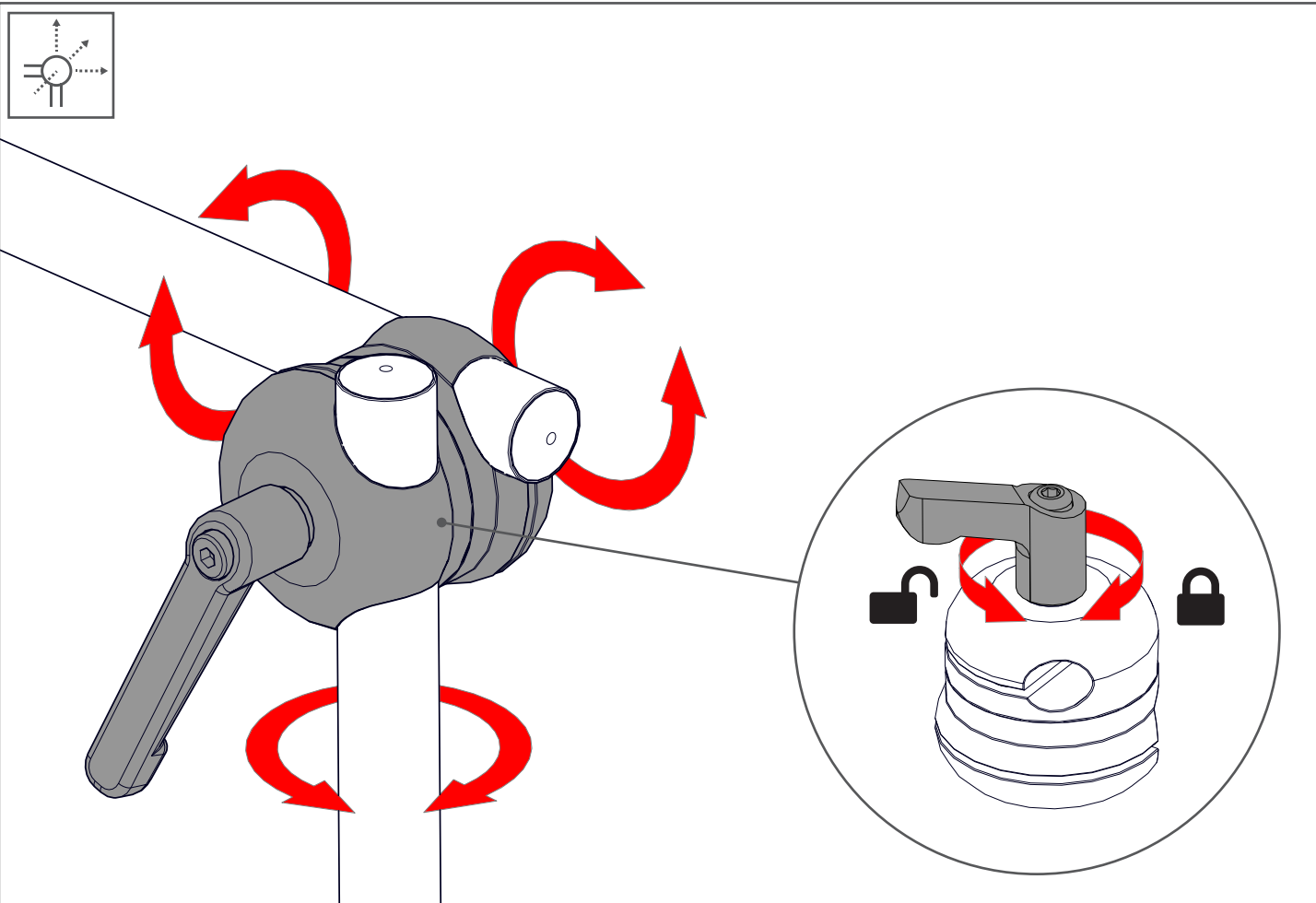


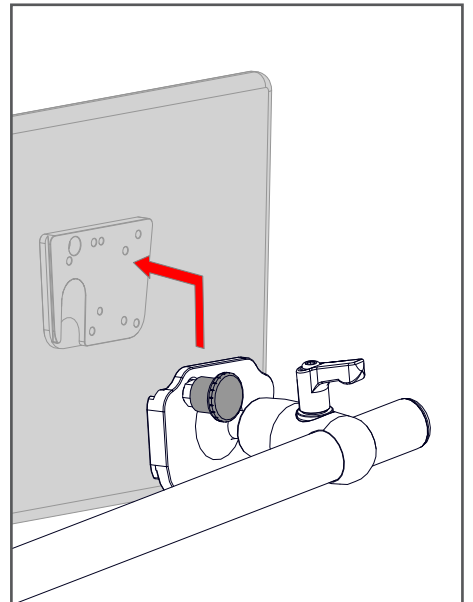
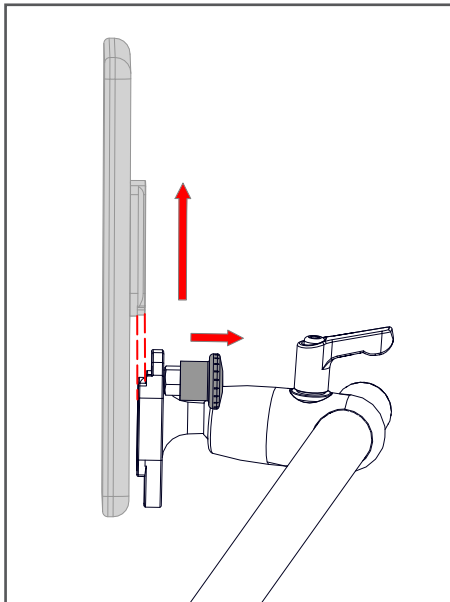
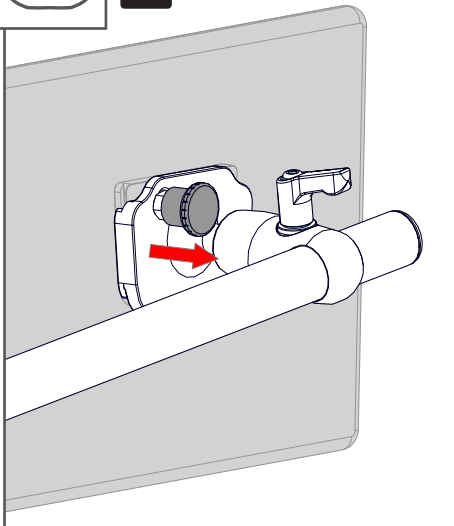
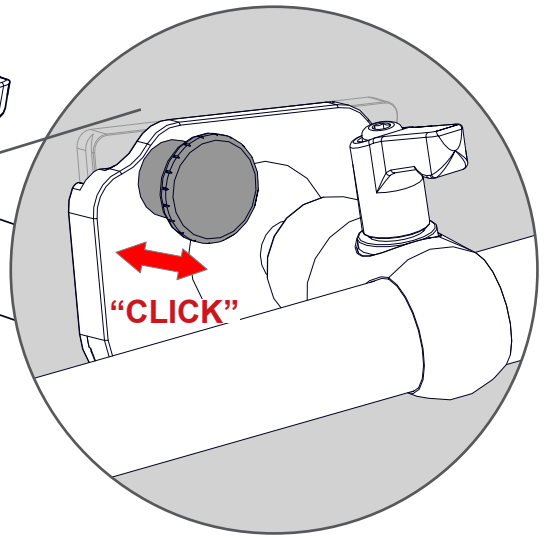
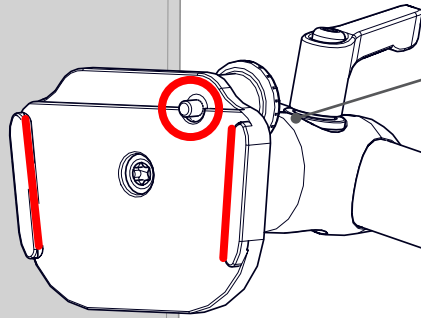
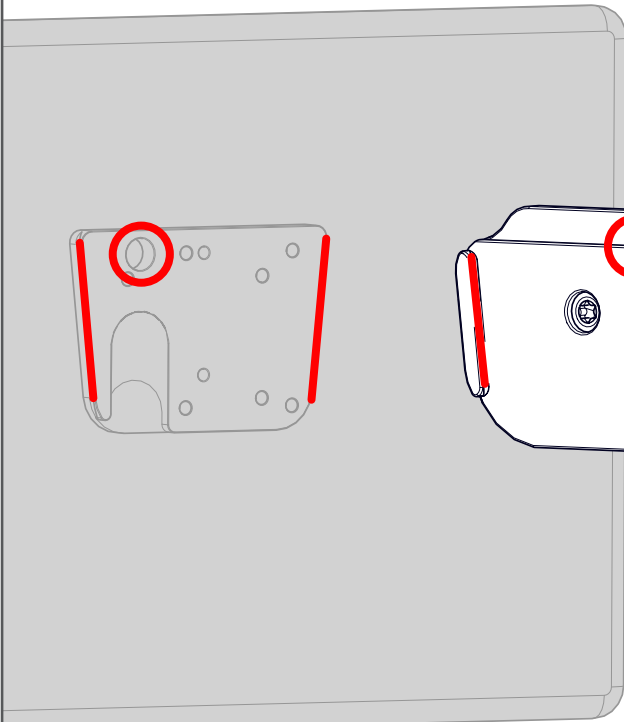
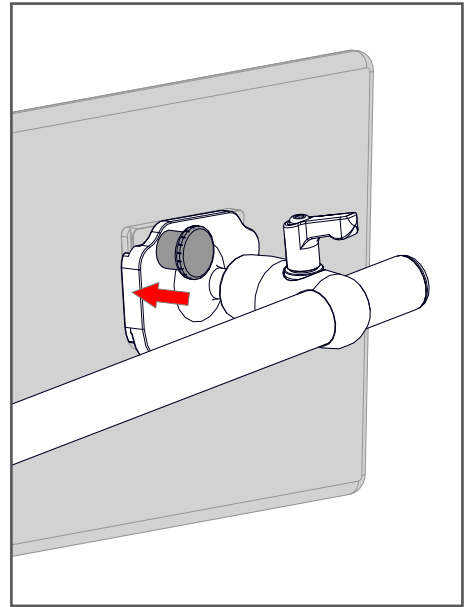
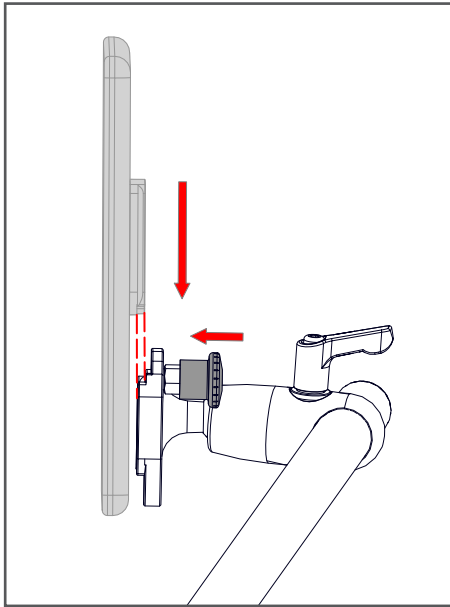
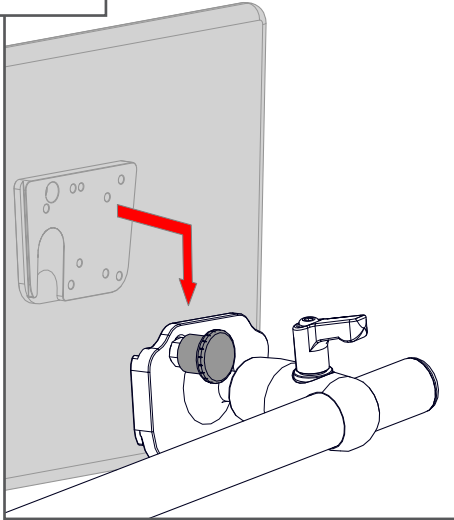


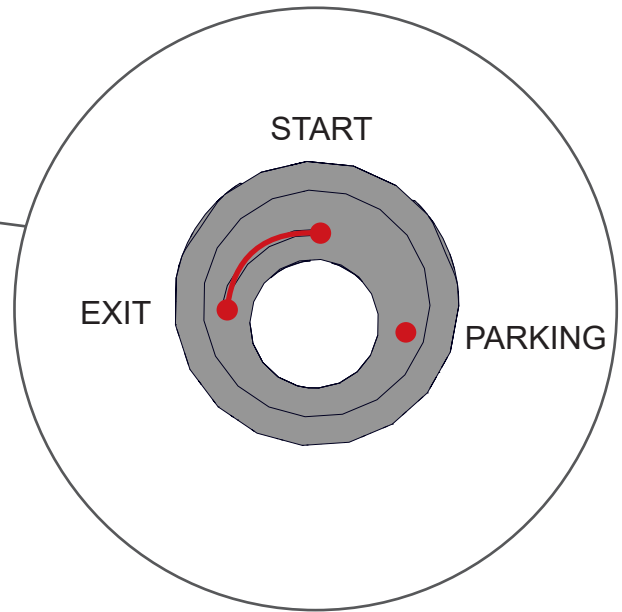
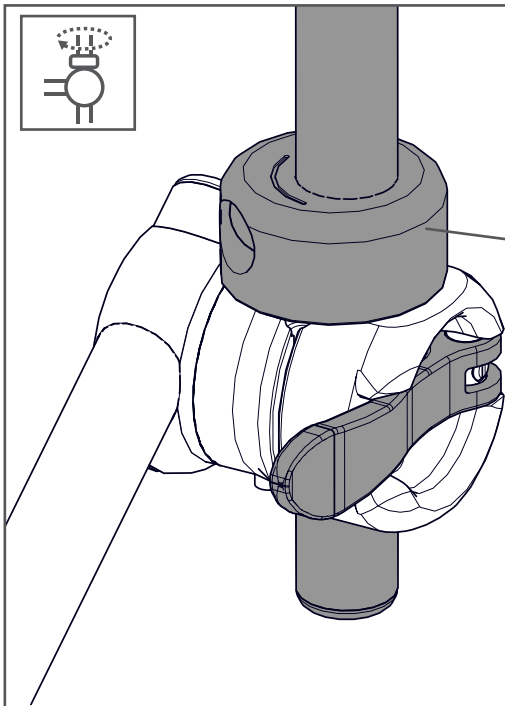


22-22

01.0850

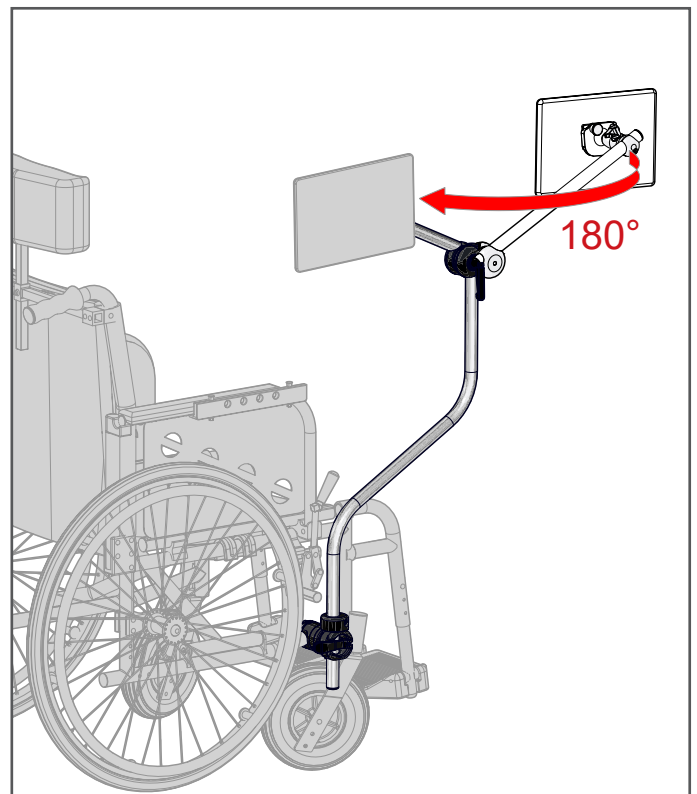
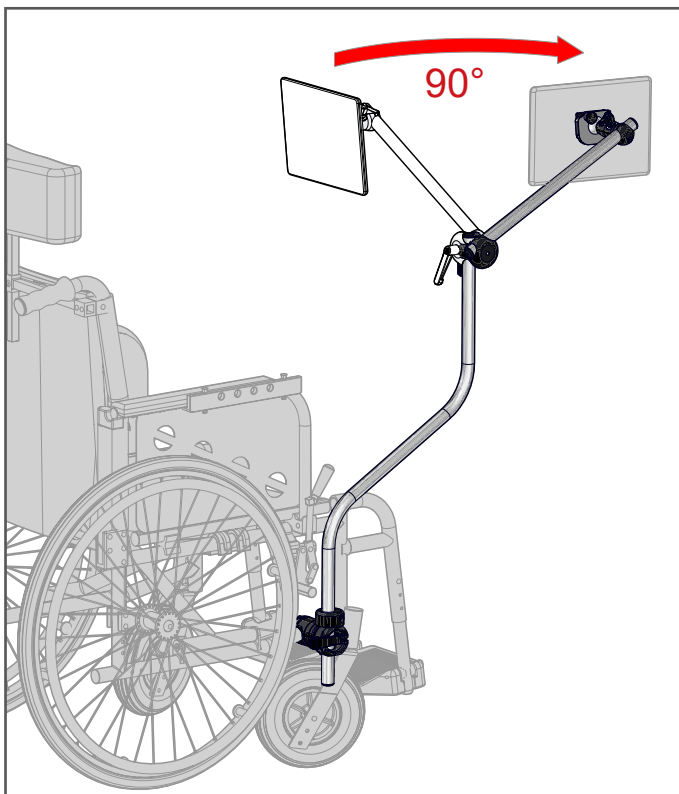
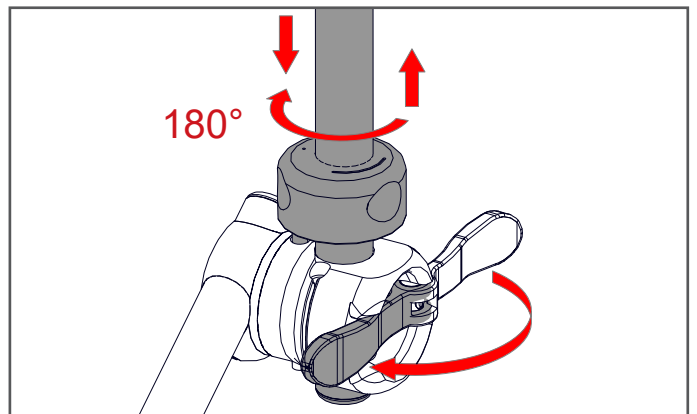
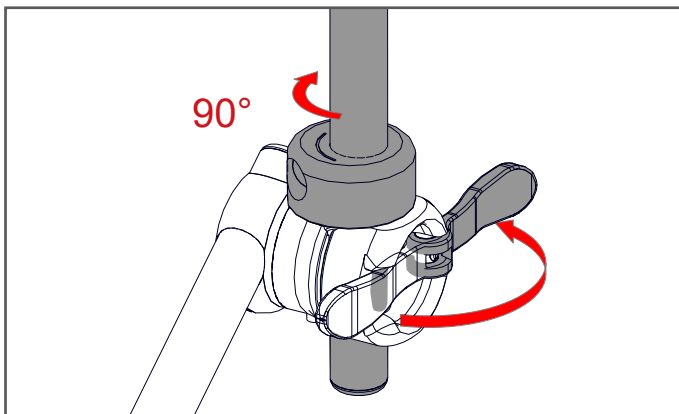


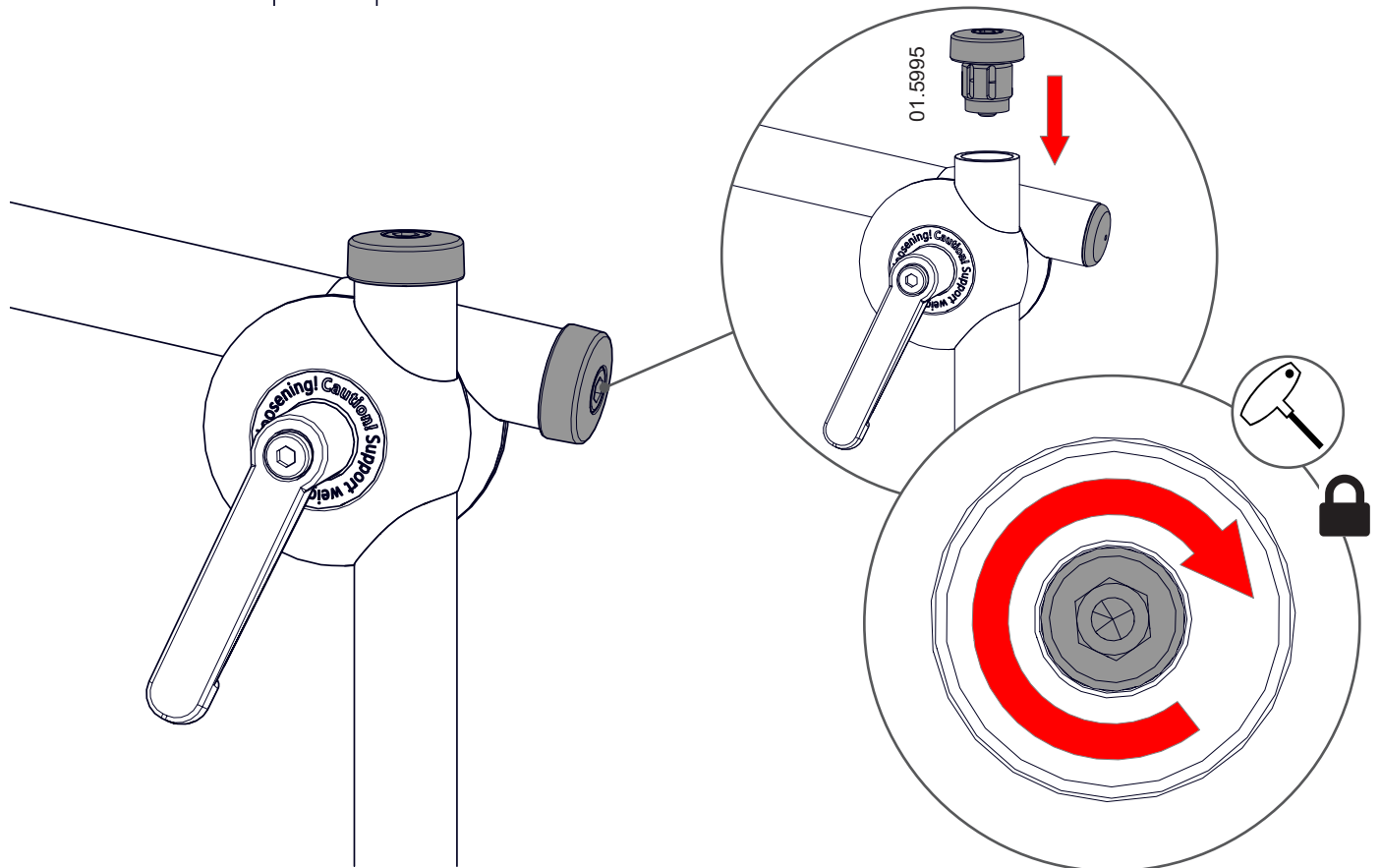
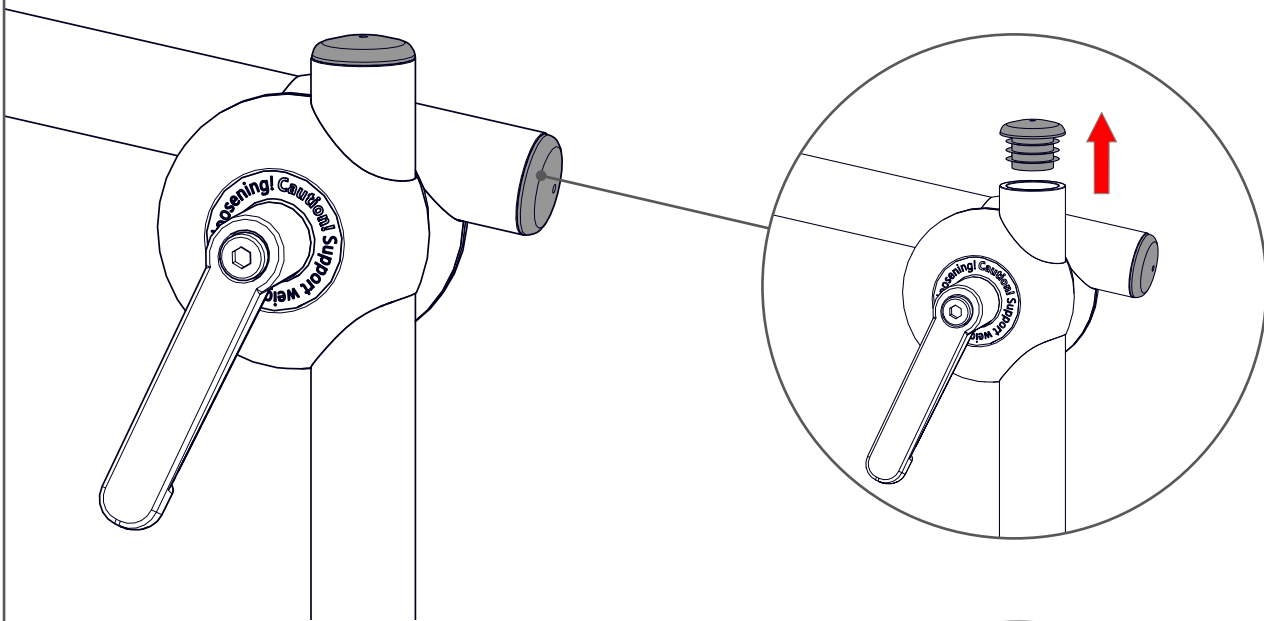
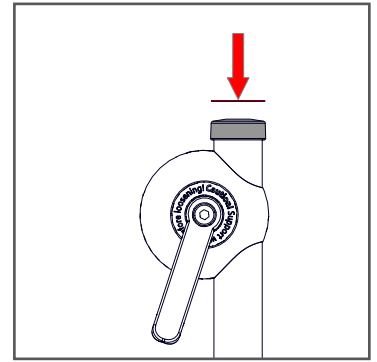
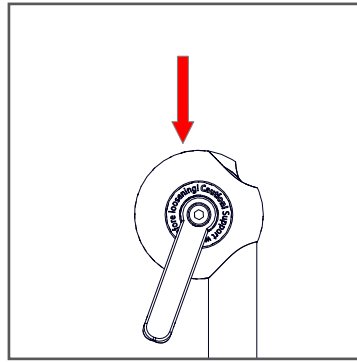


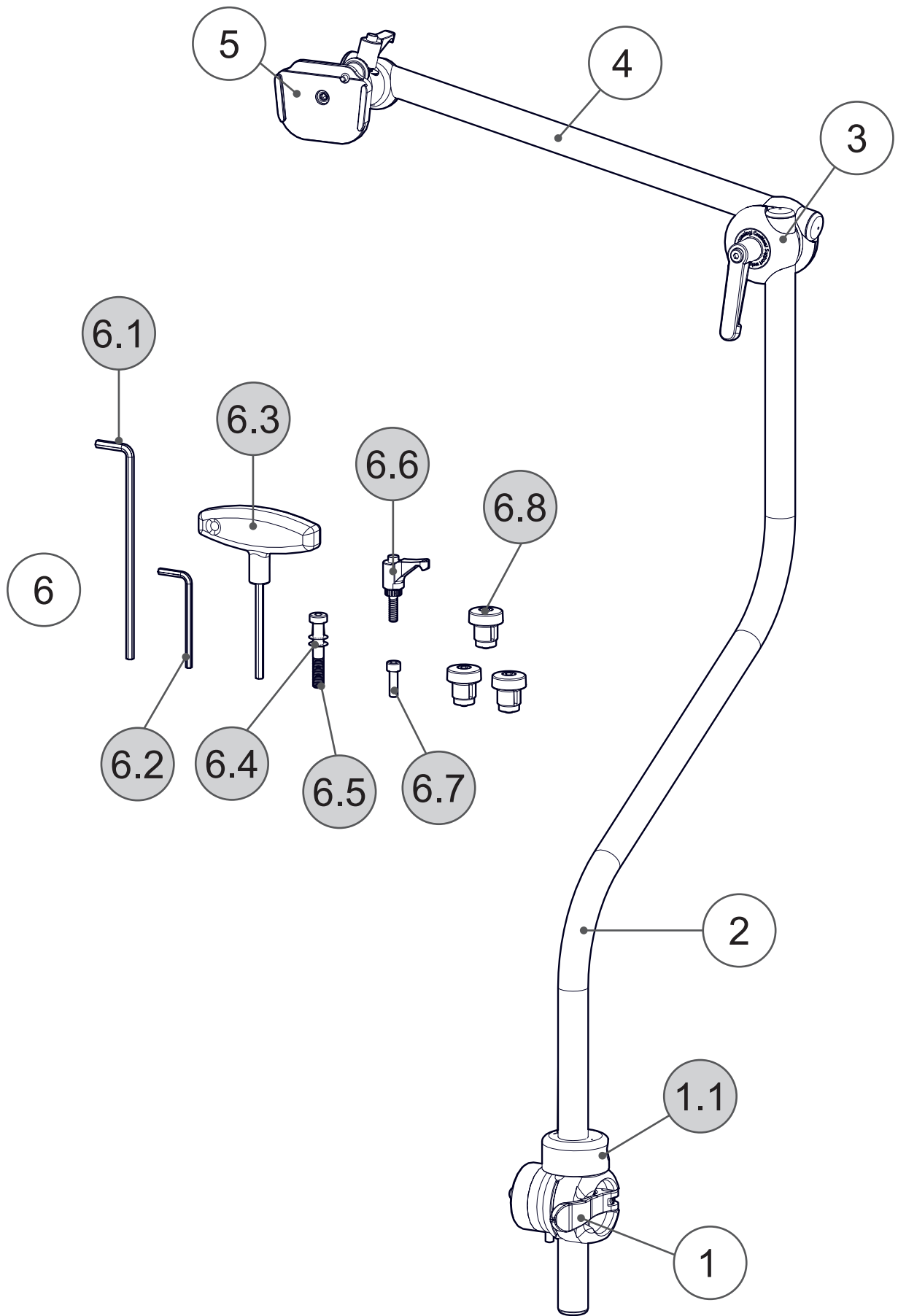


START → EXIT

EXIT → PARKING





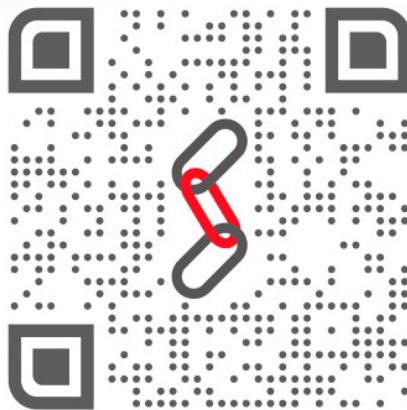


Pos.	No.	Bezeichnung	Description
1	11.1082	M3D Rohraufnahme Rotation Lock Schwenklager S	M3D Tube Socket Rotation Lock Swivel-Joint S
1.1	11.1251	M3D Rast-Slot	M3D Indexing-Slot
2*	01.5670	S-Rohr Ø22x762x304	S-Tube Ø22x762x304
2**	01.5680	S-Rohr Ø22x863x304	S-Tube Ø22x863x304
3	11.1350	M3D Uni QuickShift	M3D Uni QuickShift
4	01.5020	Rohr Ø22x400	Tube Ø22x400
5	16.1051	UGA-22-DC	UDS-22-DC
6	11.3312BS	Schraubensatz M3D UGA-DC	Set of bolts - M3D with UDS-DC
6.1	01.0008	Innensechskantschlüssel 5mm lang	Allen wrench 5mm long
6.2	01.0029	Innensechskantschlüssel 4mm	Allen wrench 4mm
6.3	01.0027	T-Griff	T-Handle
6.4	01.0310	Passscheibe	Washer
6.5	01.0850	Zylinderschraube M8x50	Cylinder Head Bolt M8x50
6.6	01.0025	Klemmhebel M6x20	Clamping lever M6x20
6.7	01.0620	Zylinderschraube M6x20	Cylinder Head Bolt M6x20
6.8	01.5995	Abrutschsicherung	Slip-out safeguard

* 11.6312 **Monty 3D Curved L**

** 11.7312 **Monty 3D Curved XL**





Rehadapt Engineering
GmbH & Co. KG

📄 Heinrich-Hertz-Str. 104
34123 Kassel, Germany

☎ Tel.: +49 561 220 717 0
📠 Fax: +49 561 220 717 99

✉ officeteam@rehadapt.com
🌐 <https://rehadapt.com>



Rehadapt
North America

📄 40 Oser Ave
Hauppauge, NY 11788, USA

☎ Tel.: 1 (888) 635-6962
📠 Fax: 1 (888) 635-6962

✉ officeteam.na@rehadapt.com
🌐 <https://rehadapt.com>