

Monty 3D

- 11.4312 **Monty 3D Plus HD**
- 11.4312CM **Custom Monty 3D Plus HD**

Sicherheitshinweise
Safety Instructions



Montage
Assembly Instructions



Handhabung
Handling



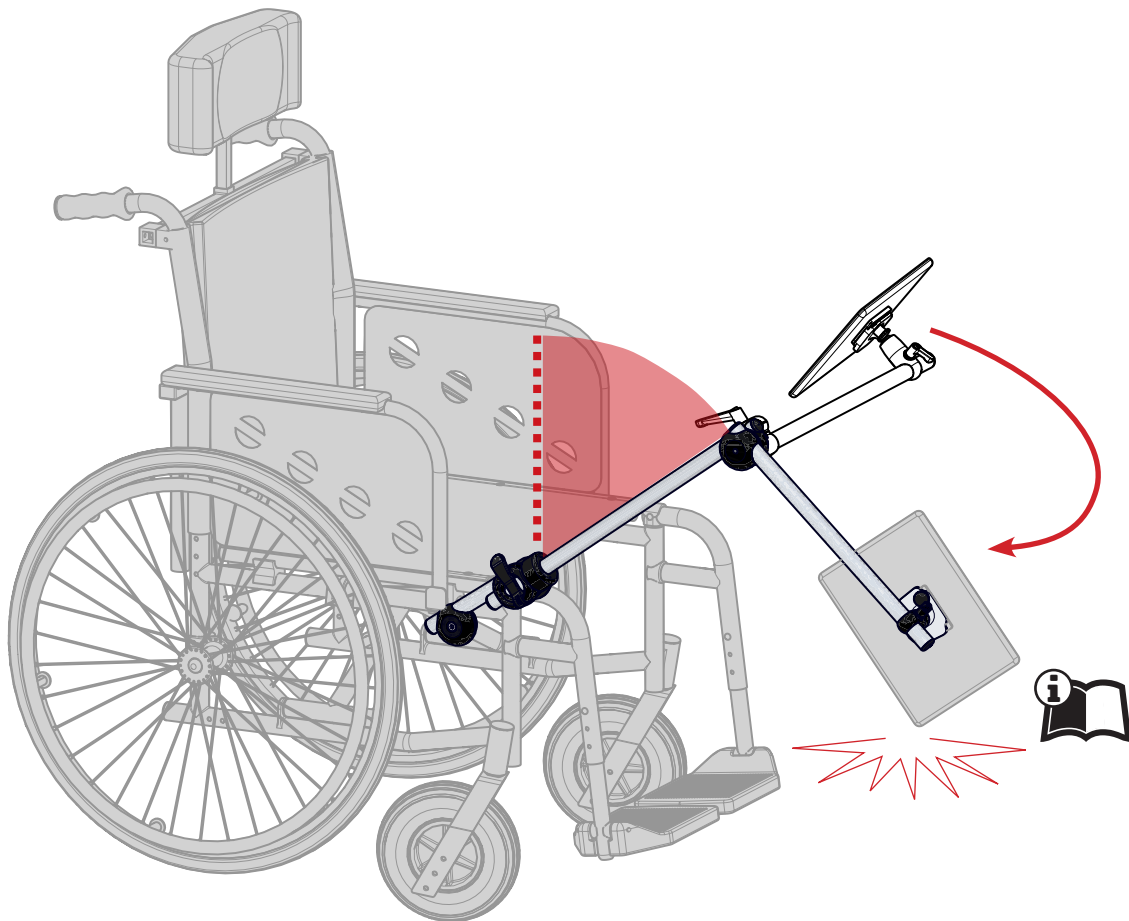
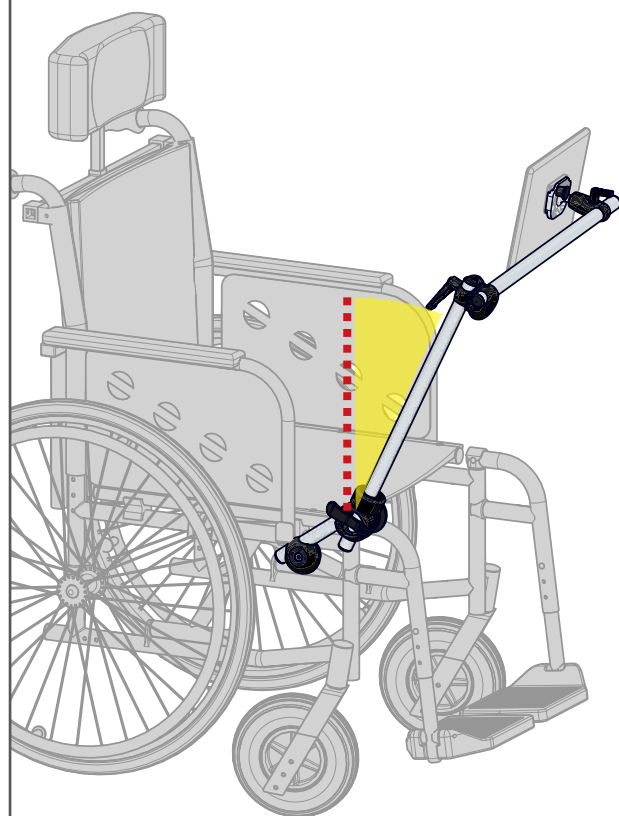
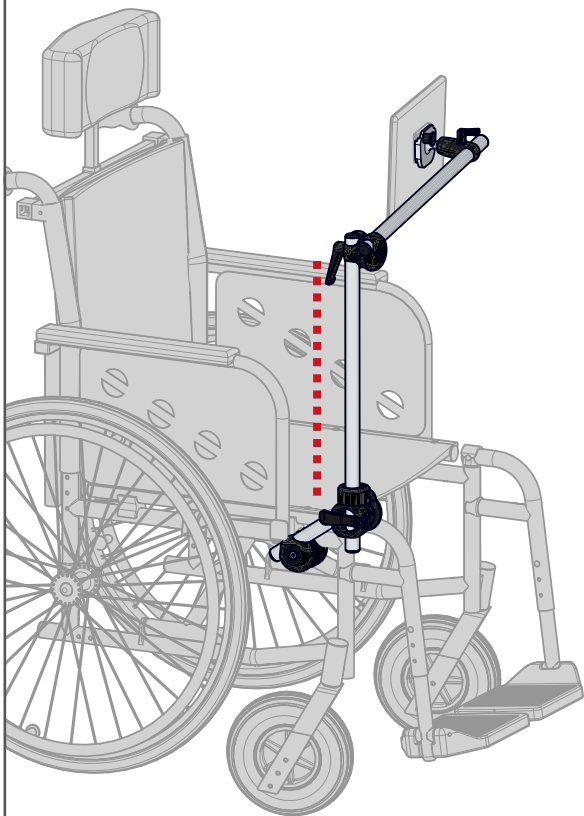
M3D H3D

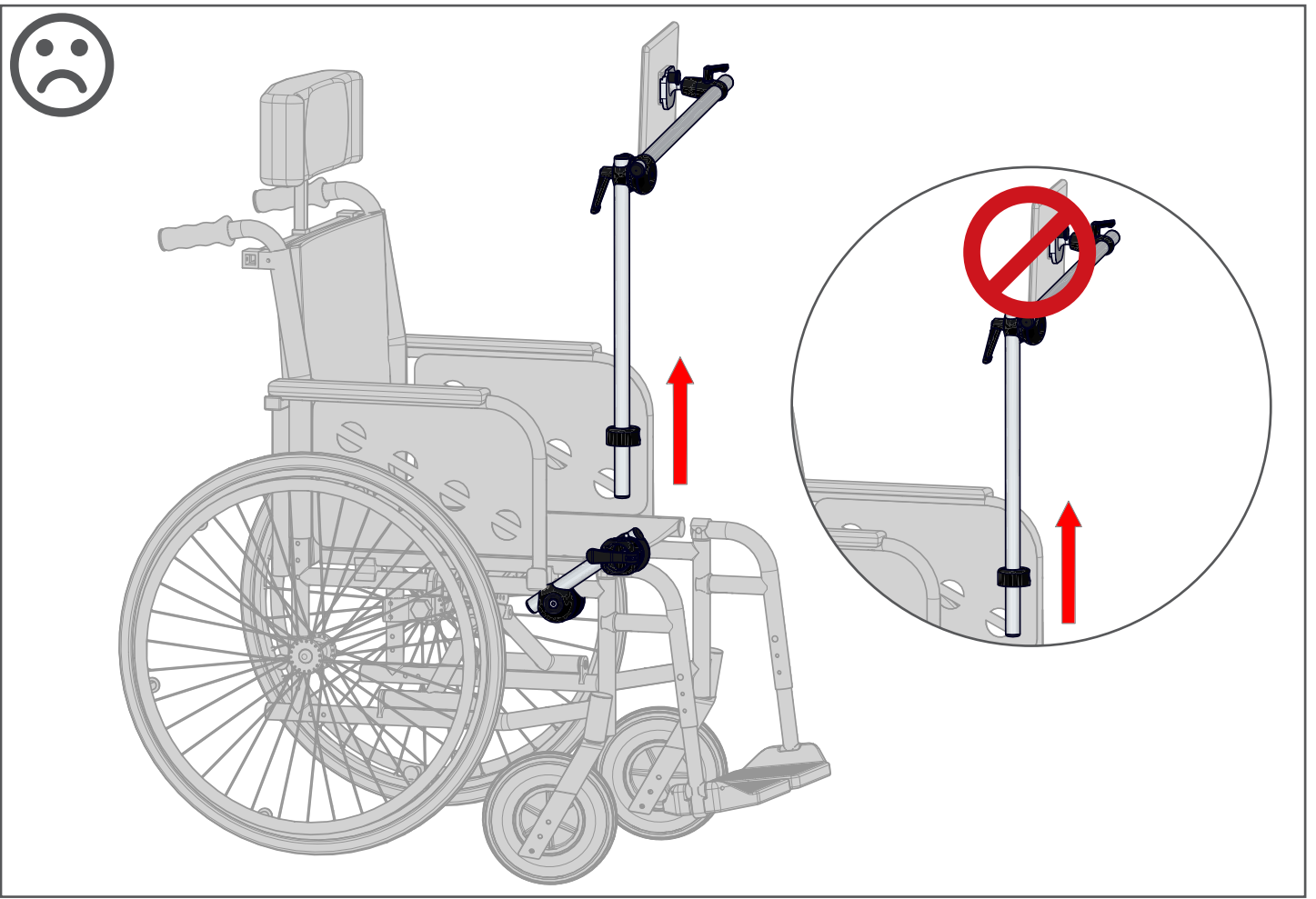
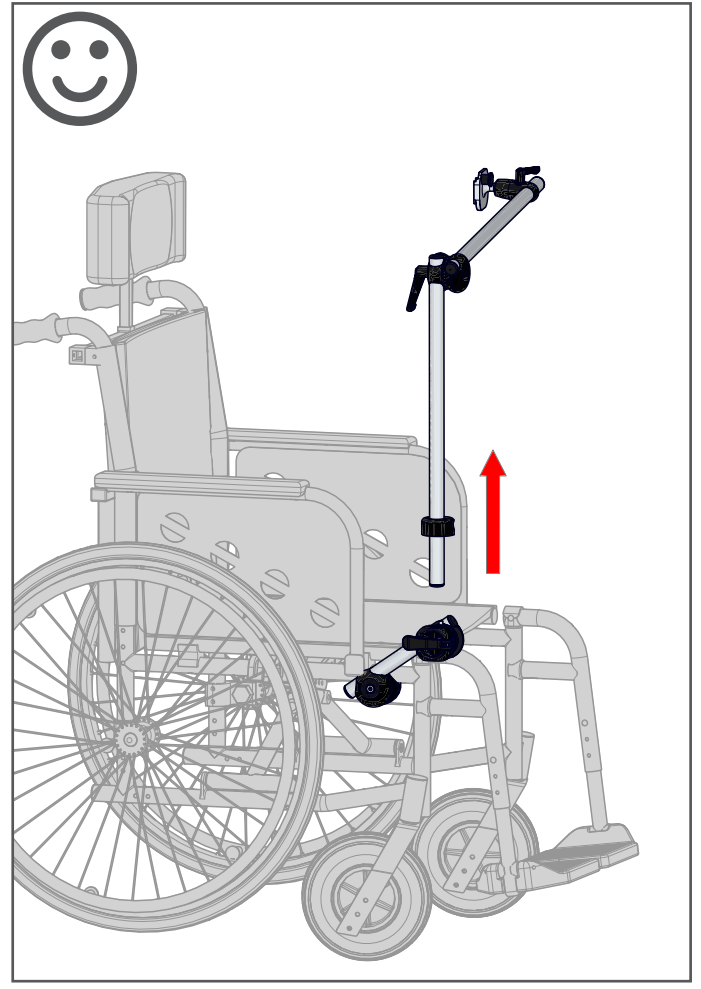
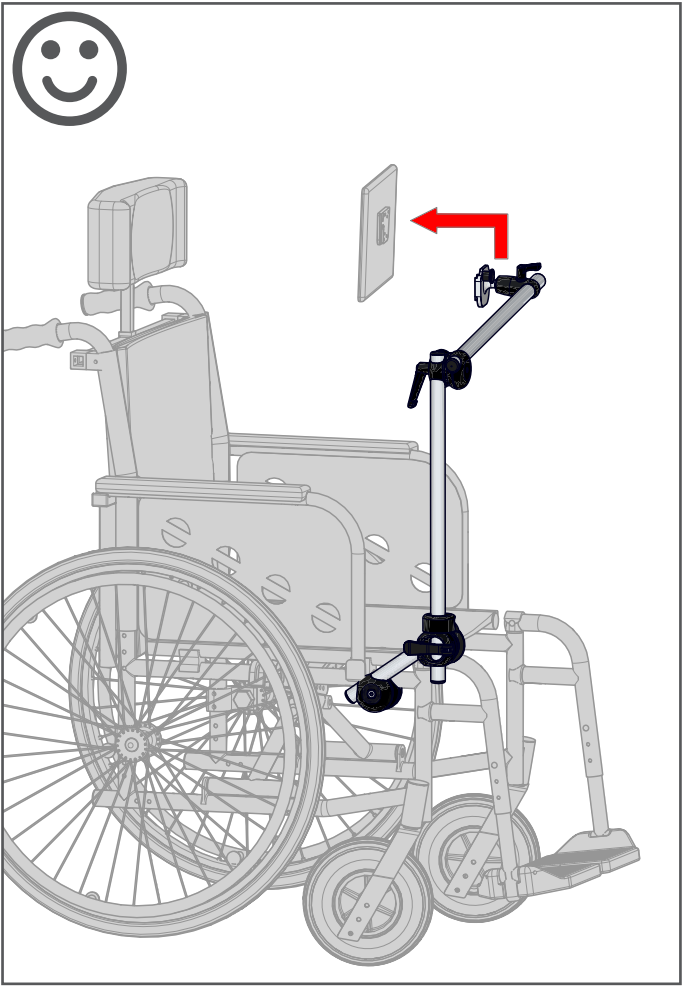
L3D

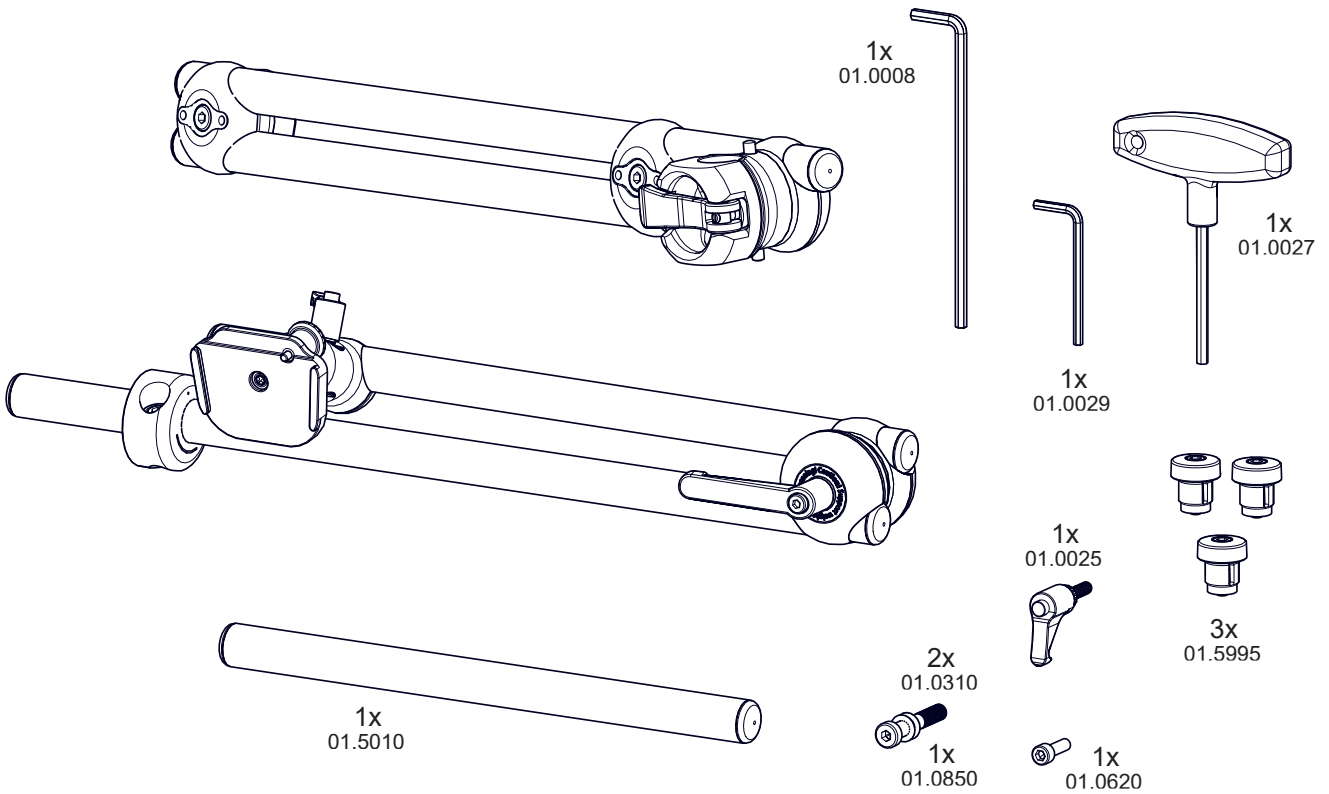
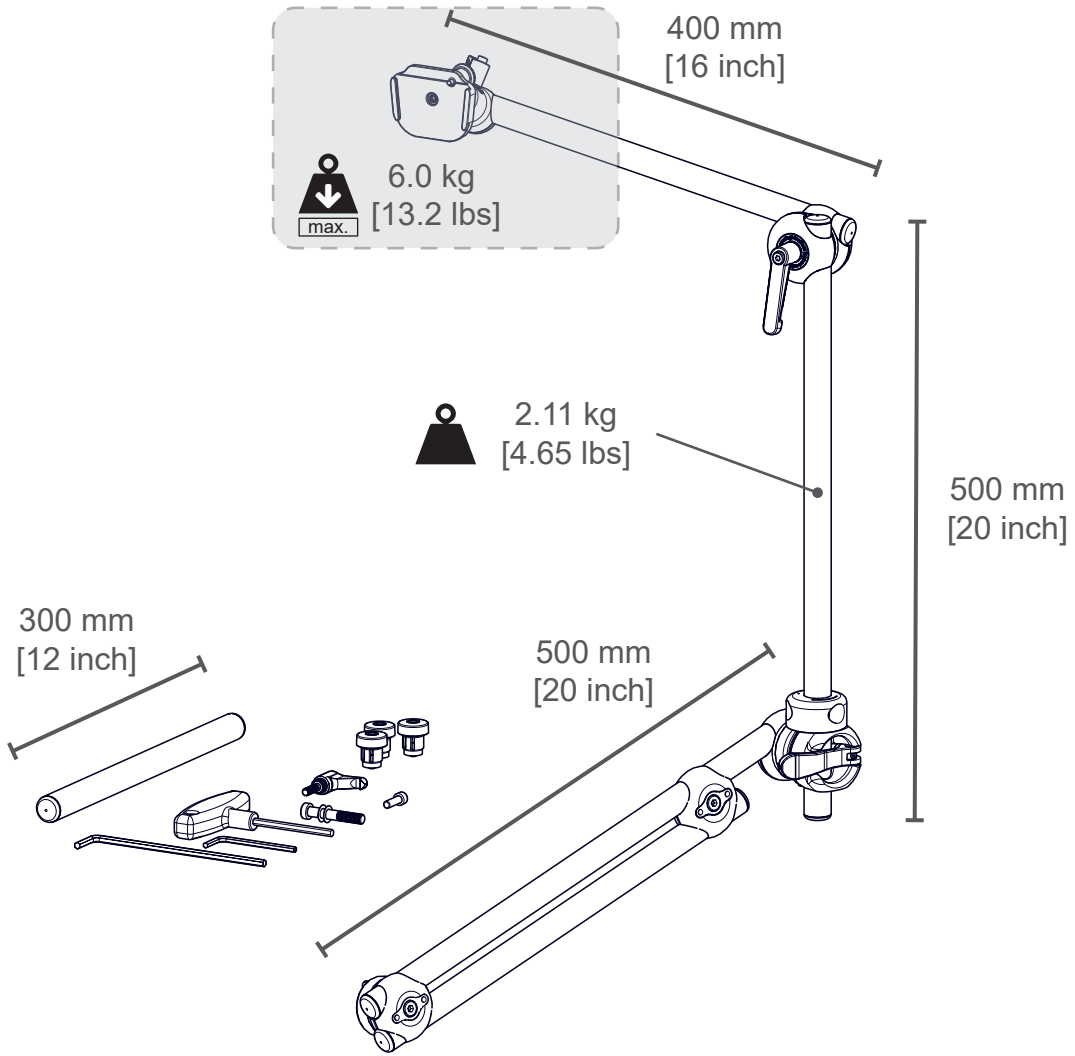
2021-06-20

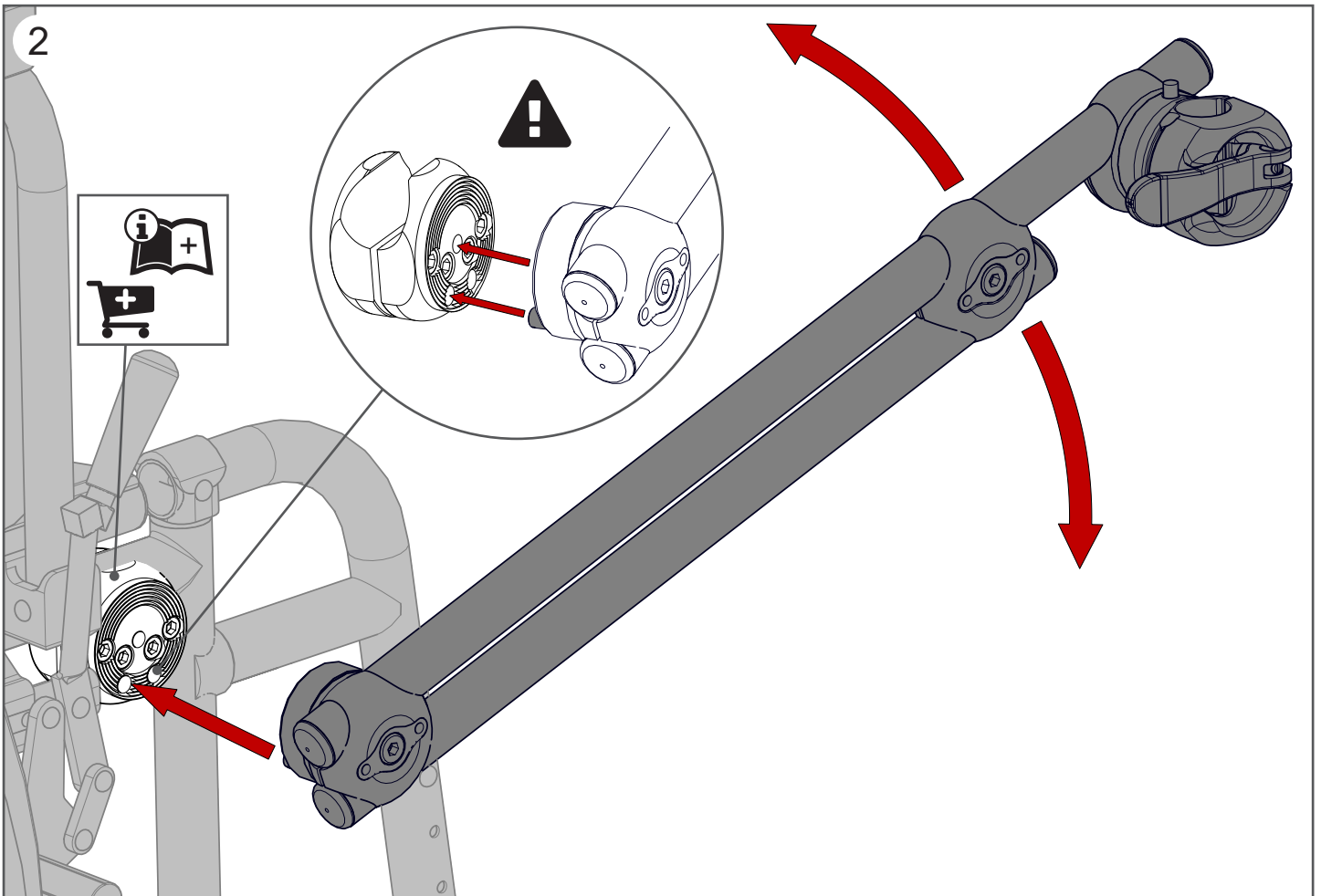
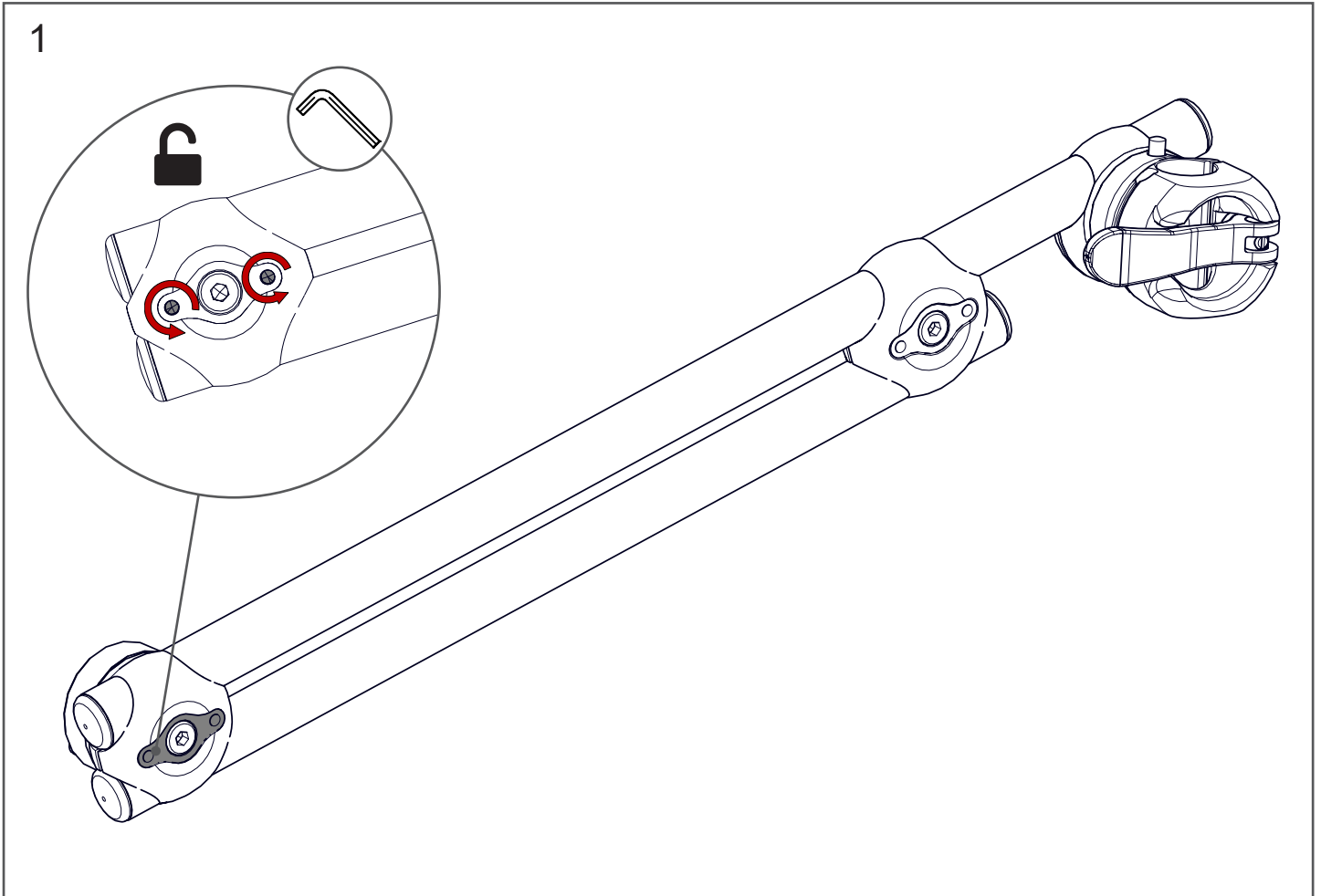
00.5149~A



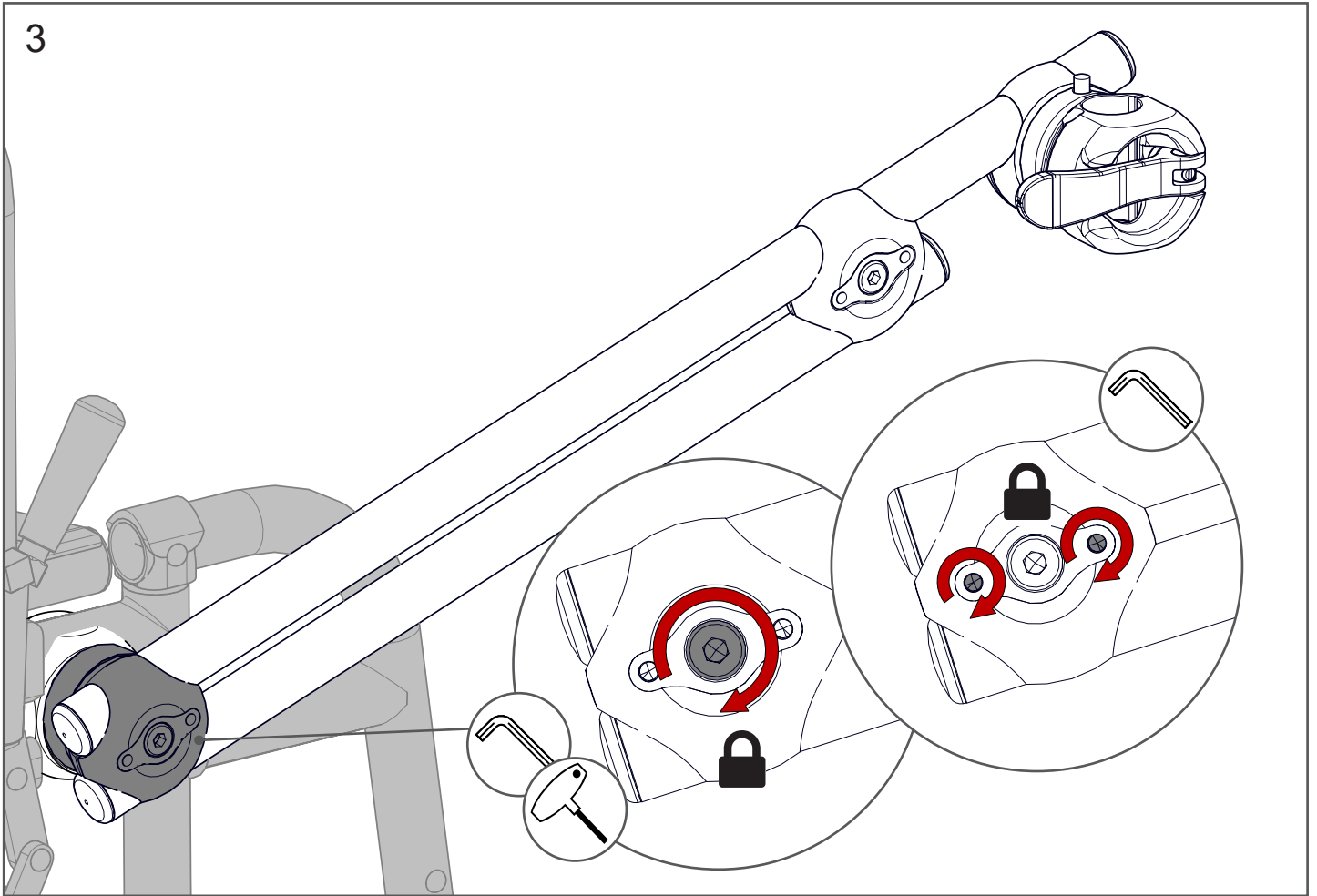




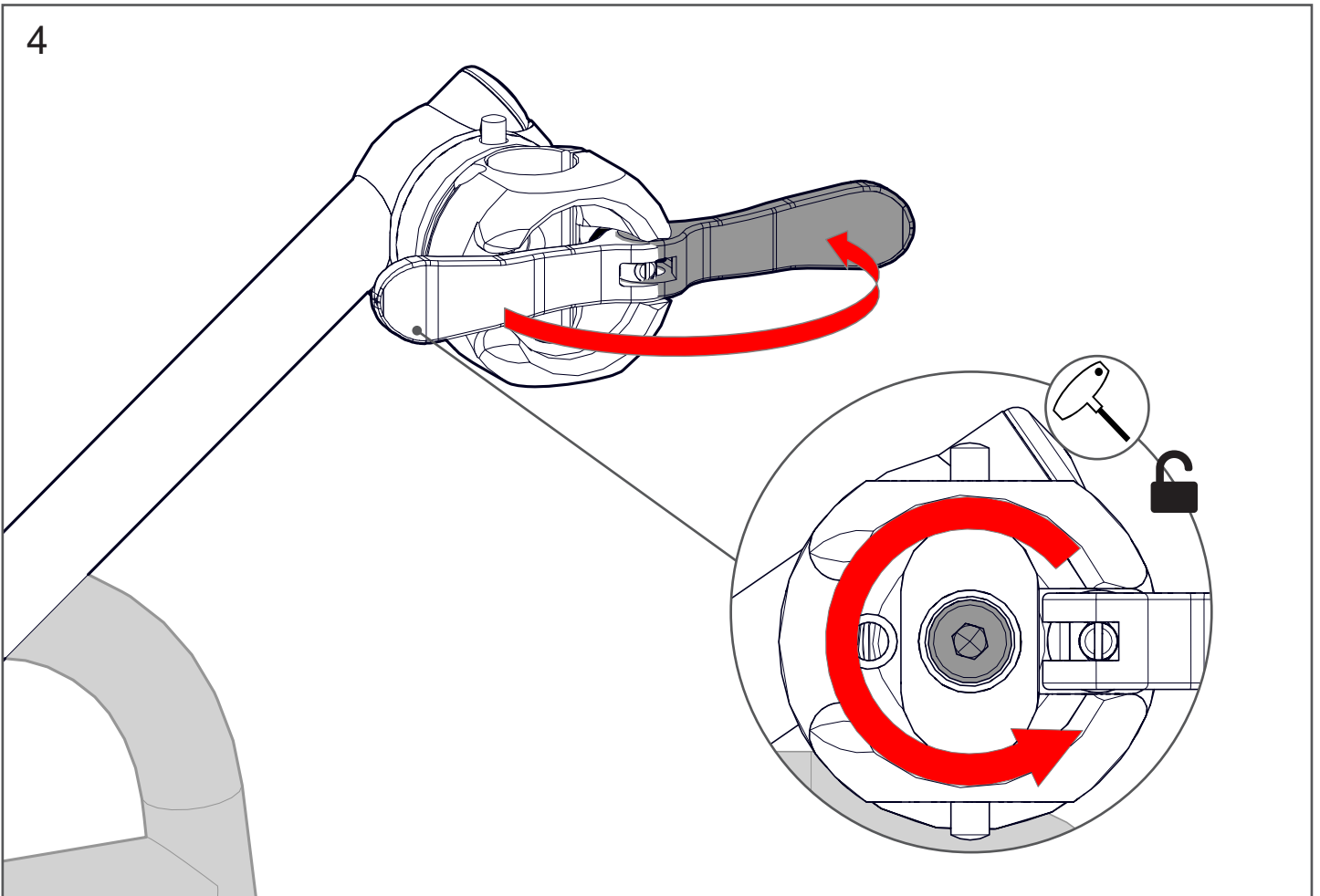




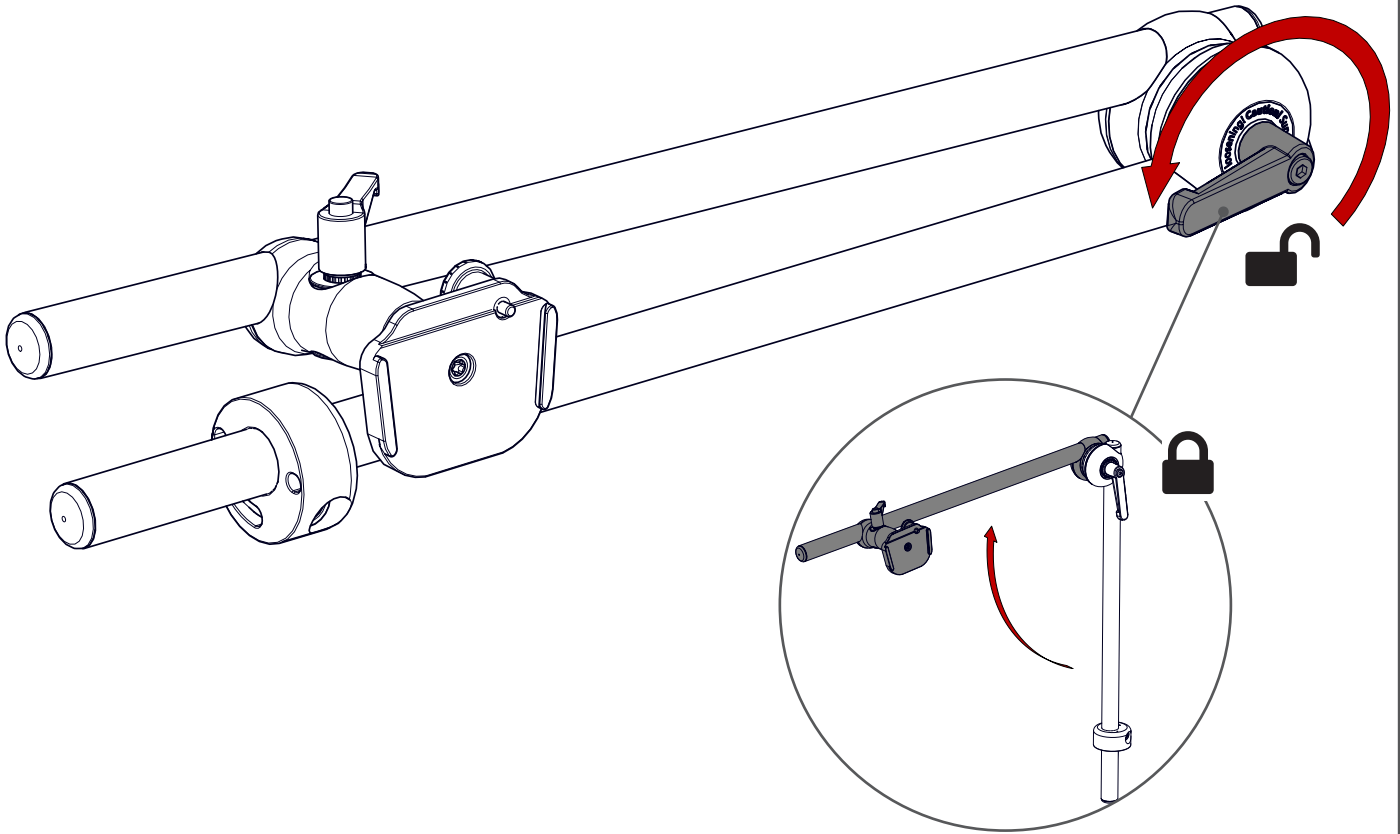
3



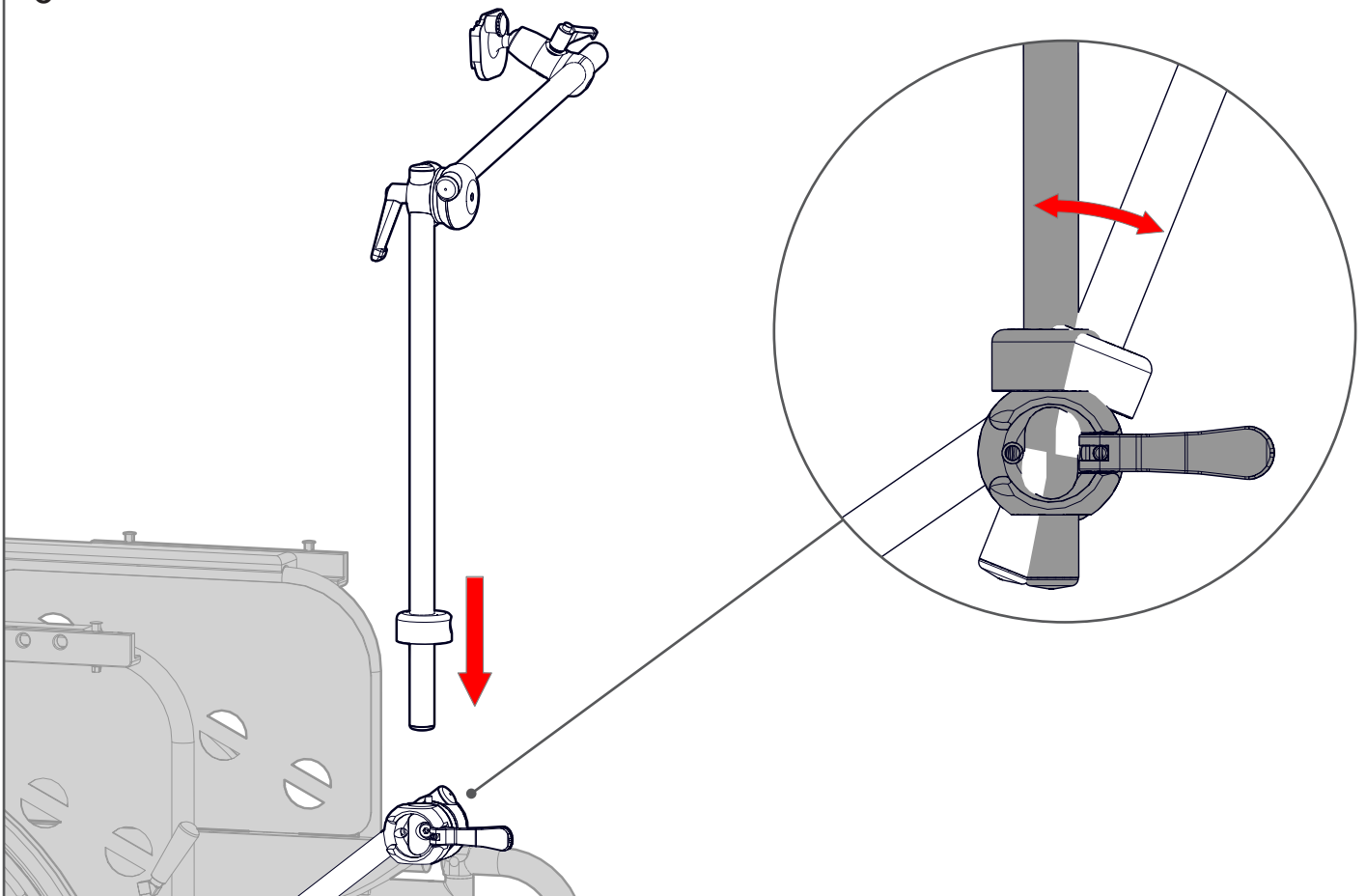
4



5

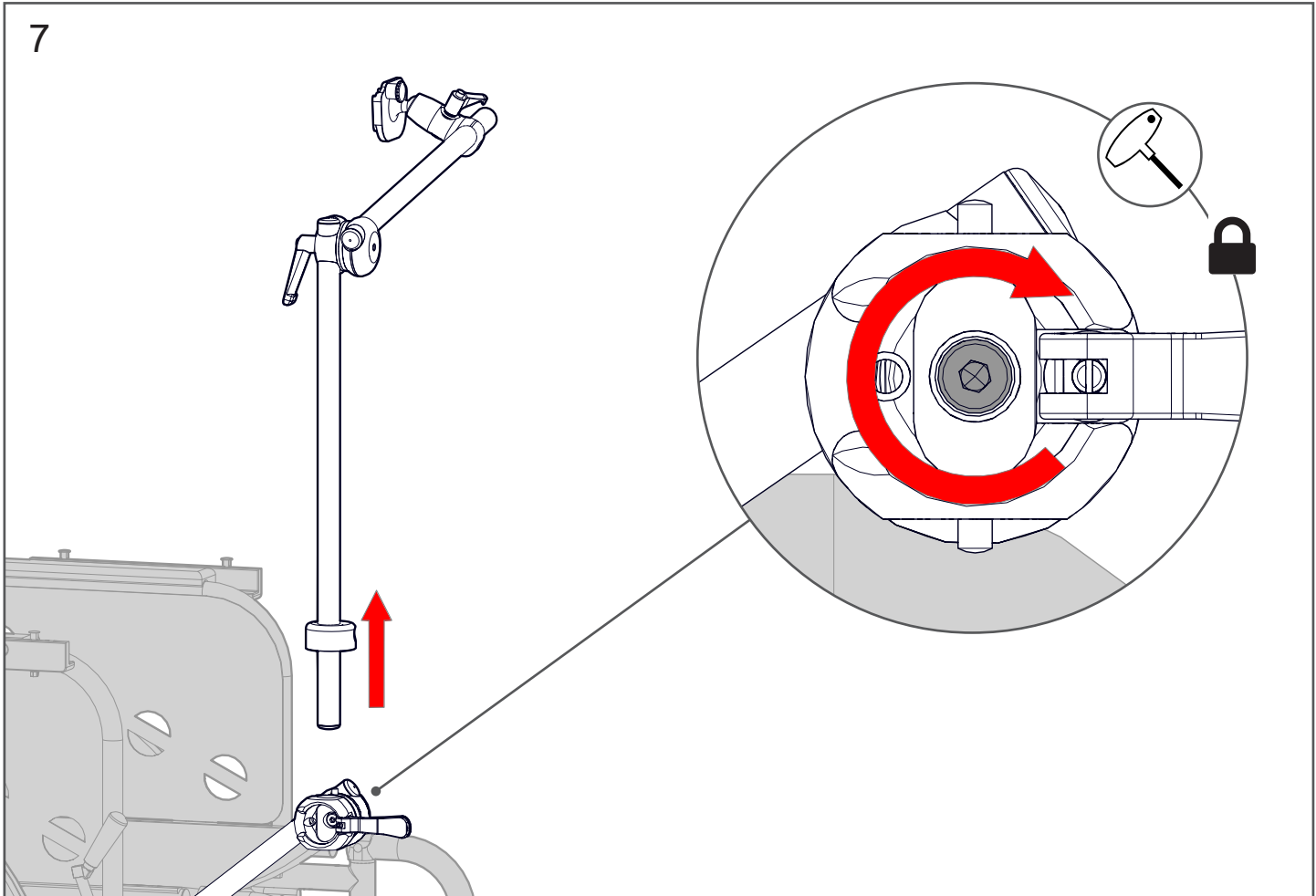


6

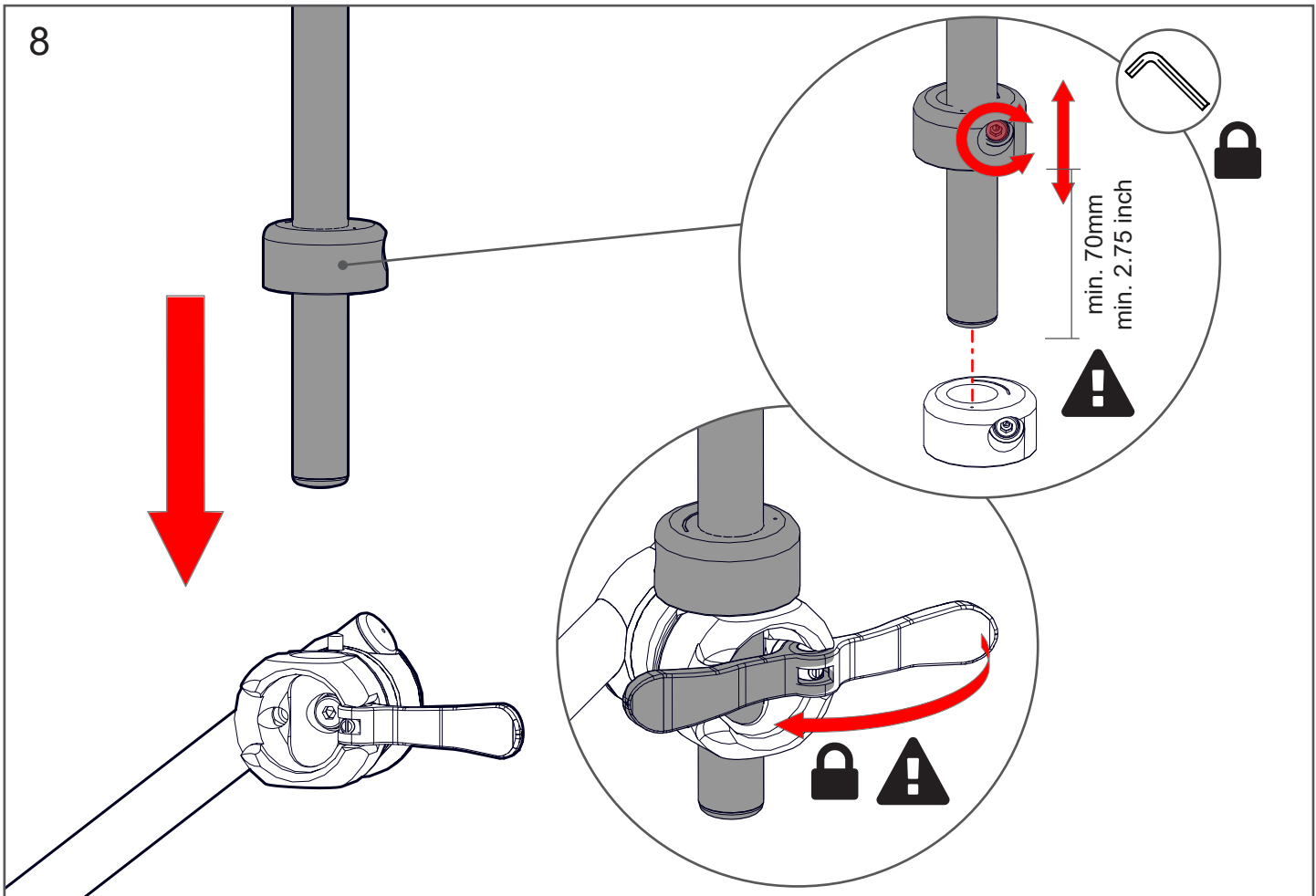


7

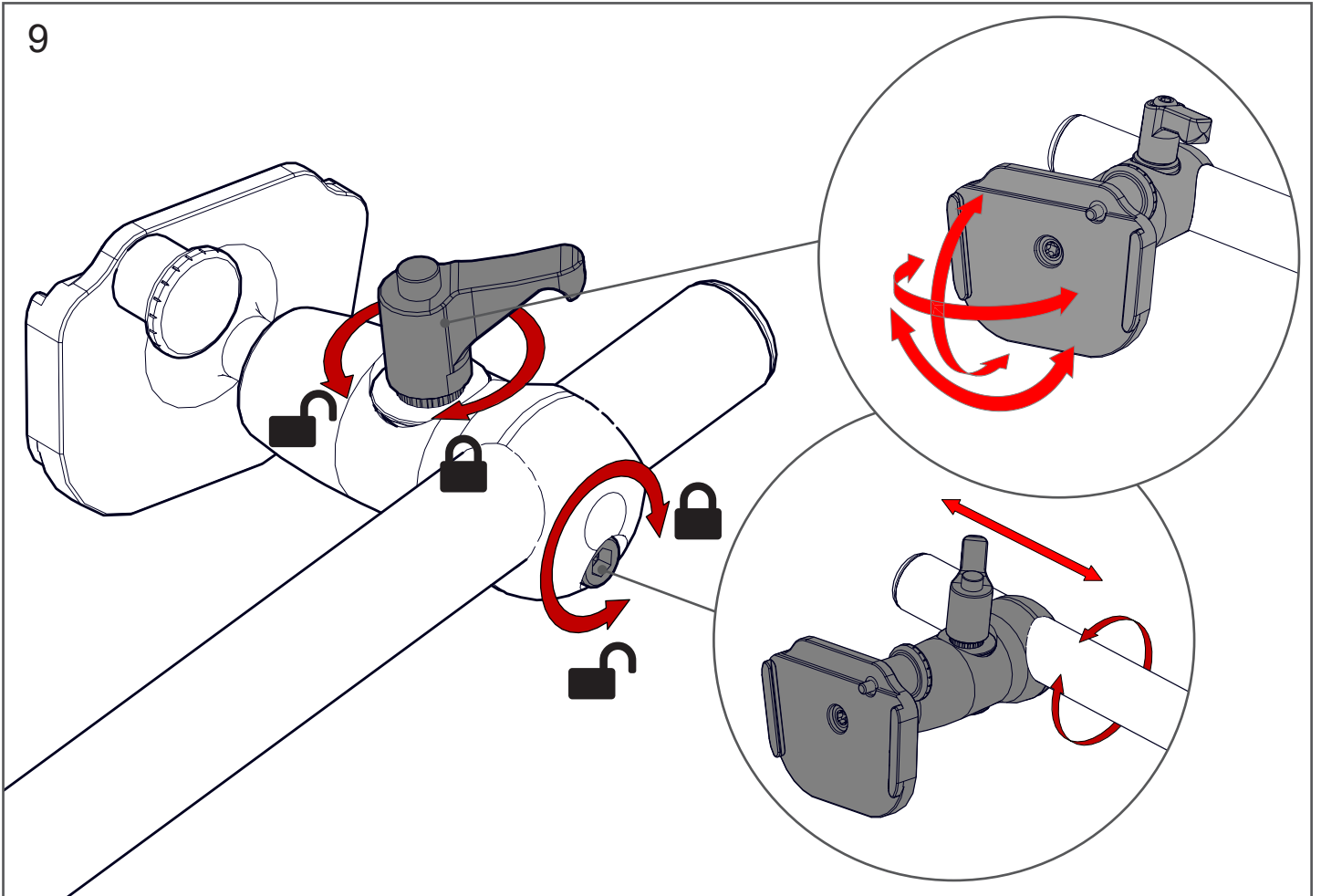
7

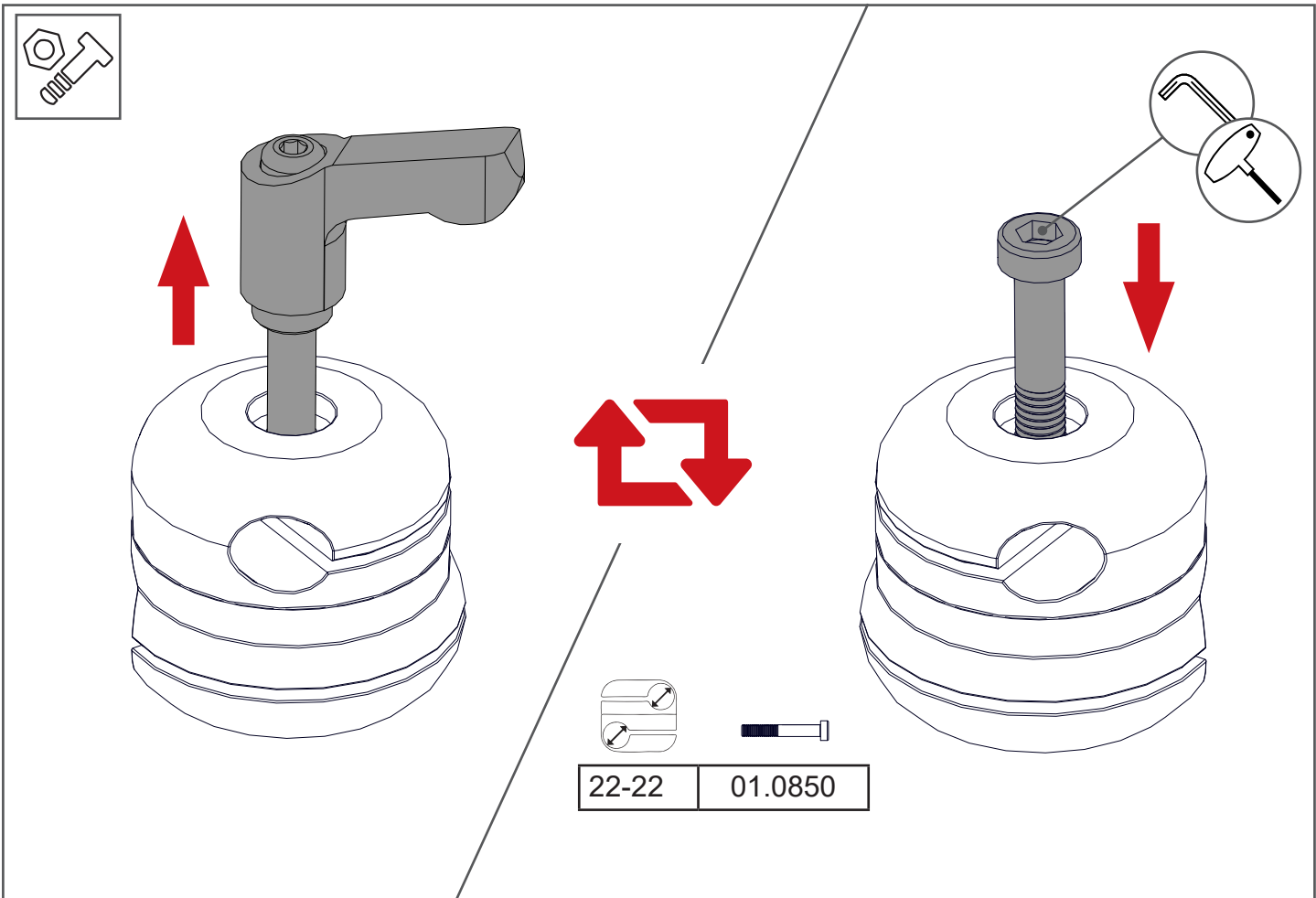
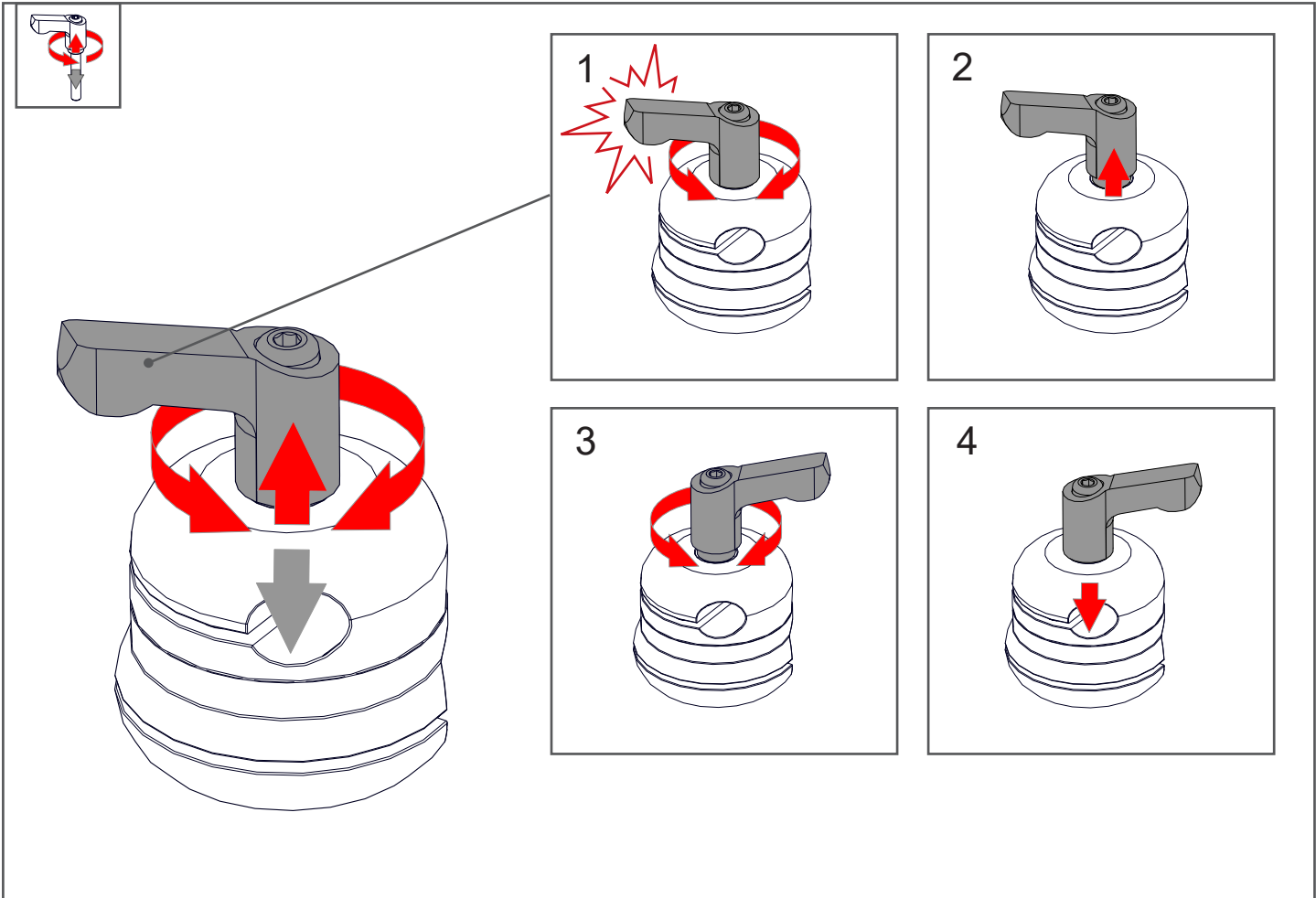


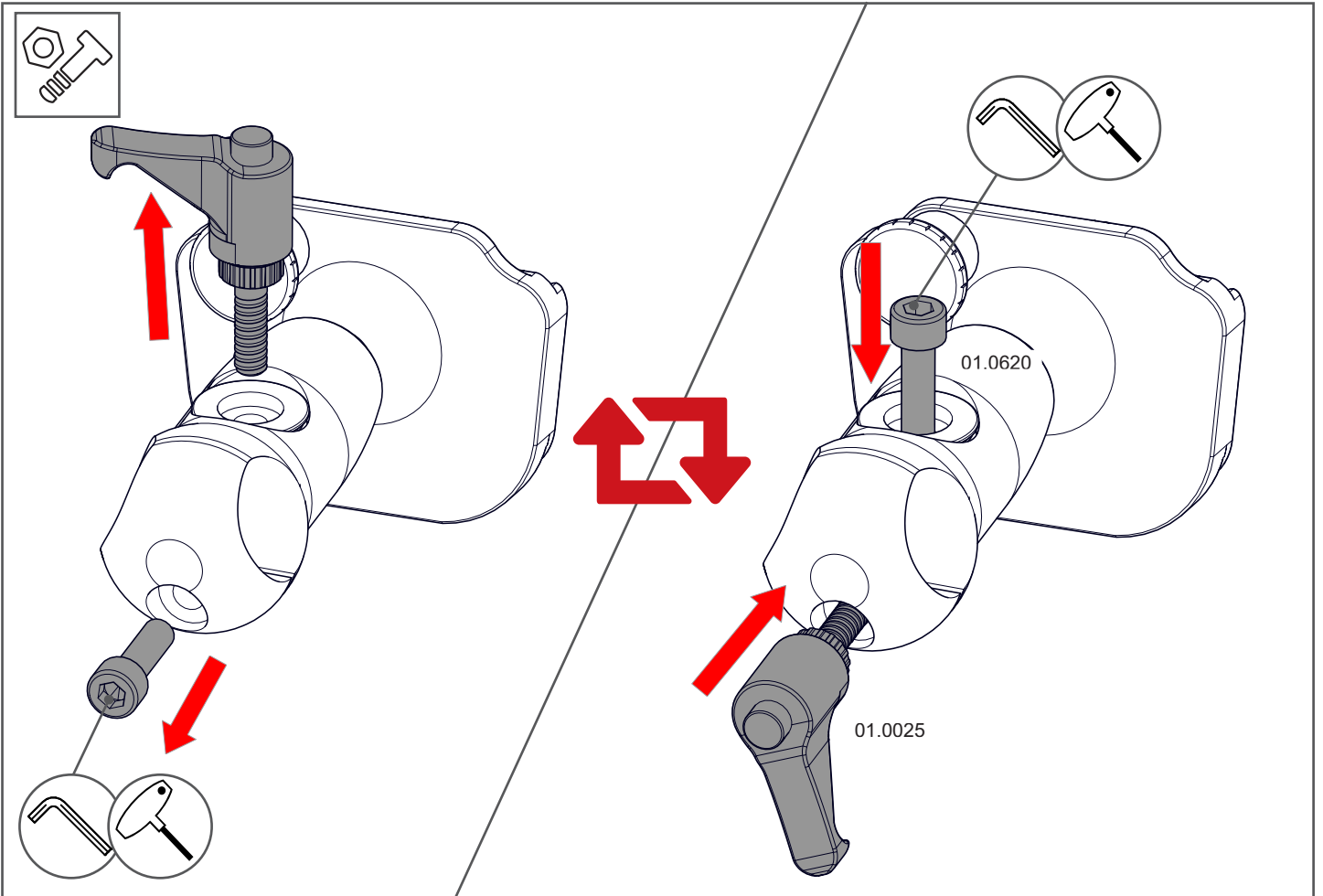
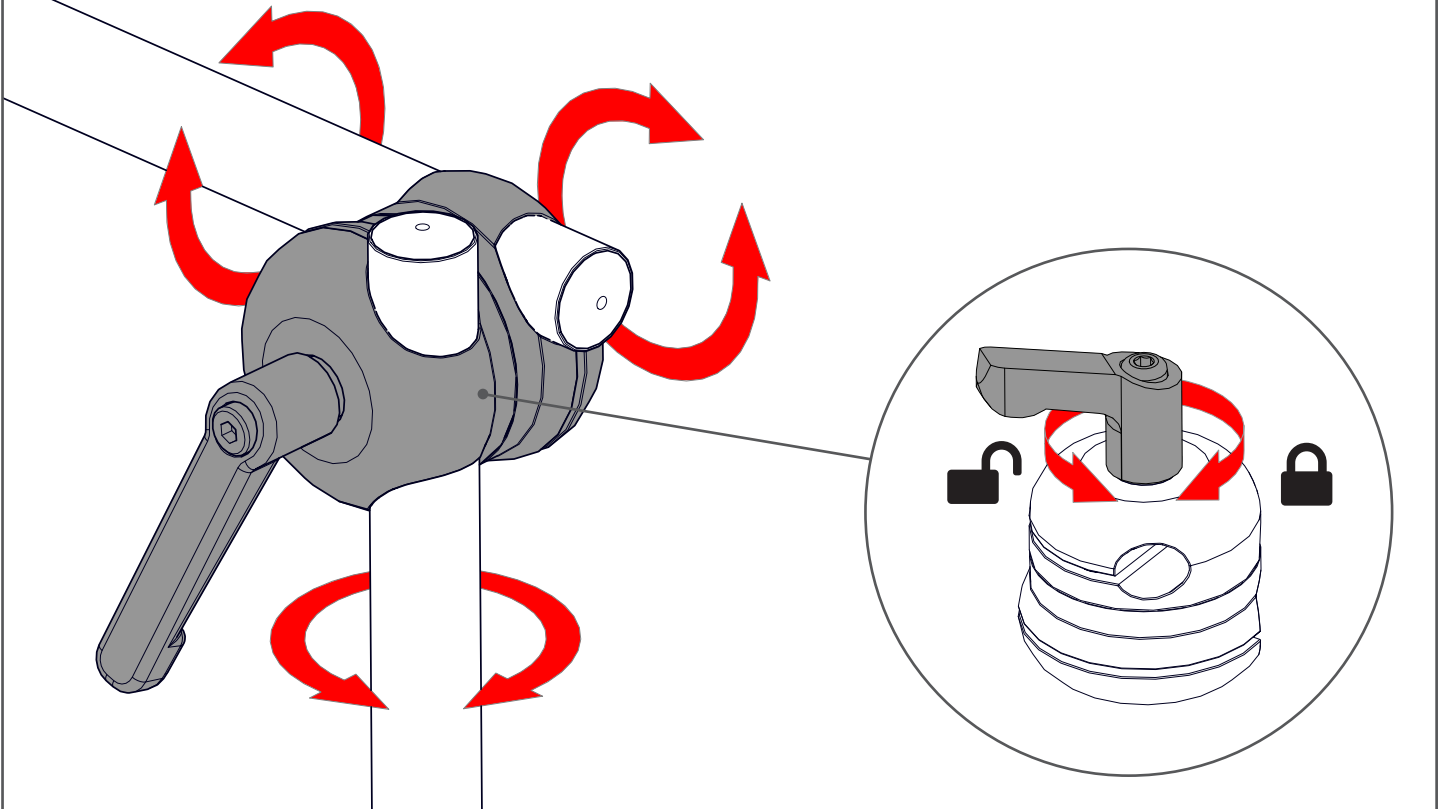
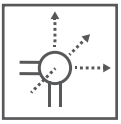
8

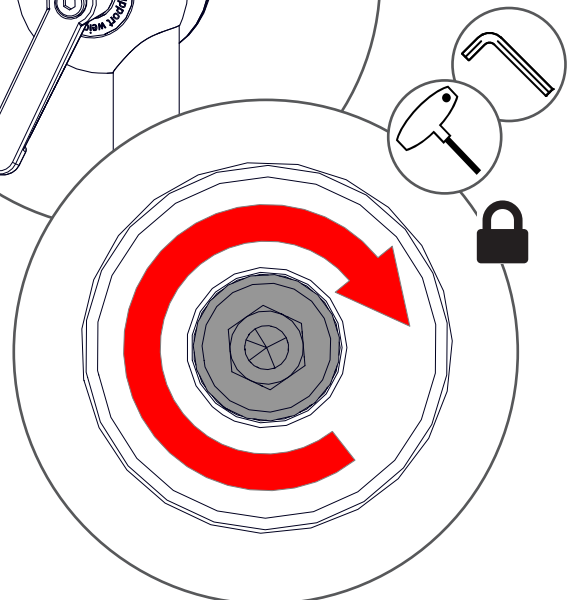
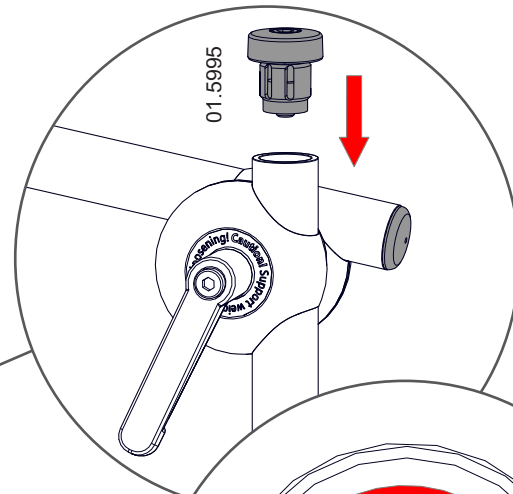
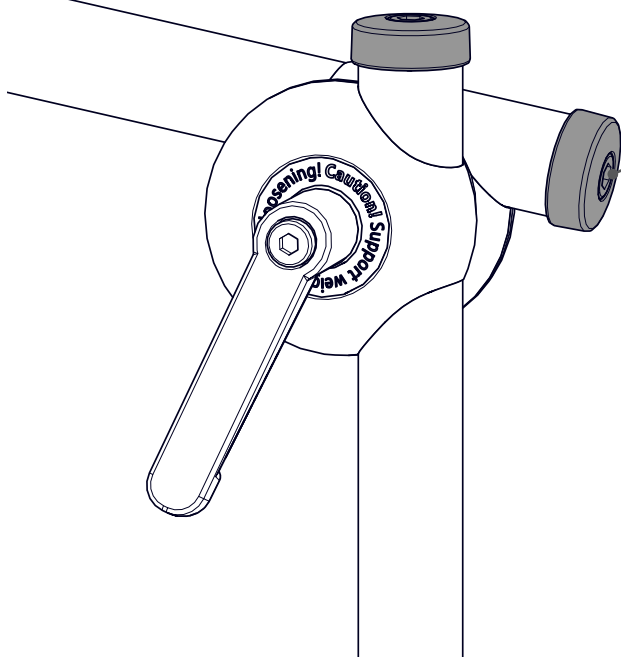
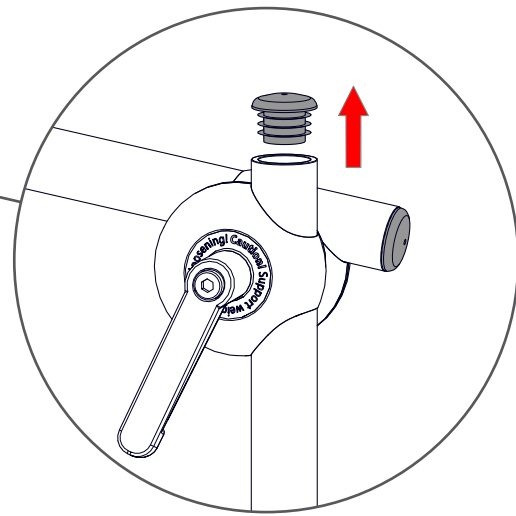
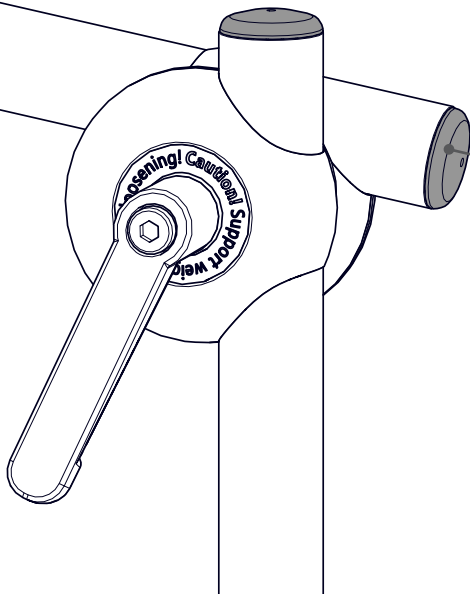
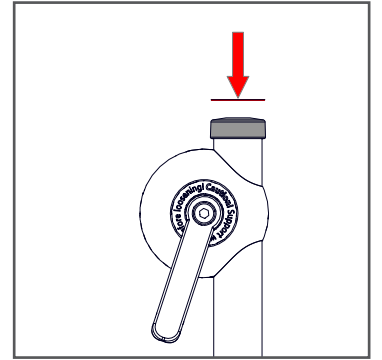
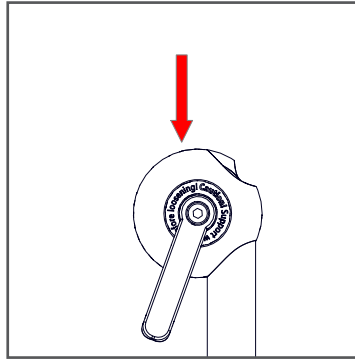


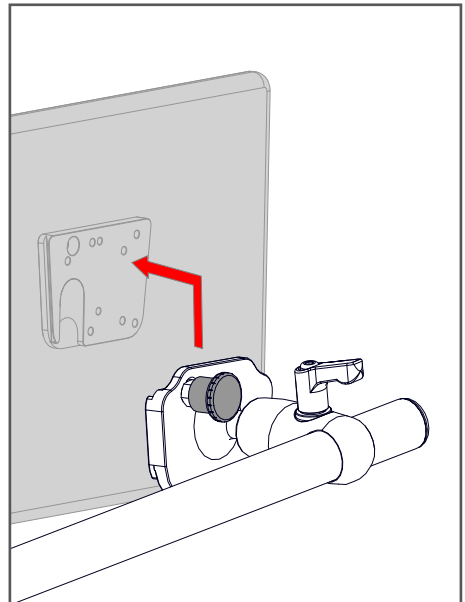
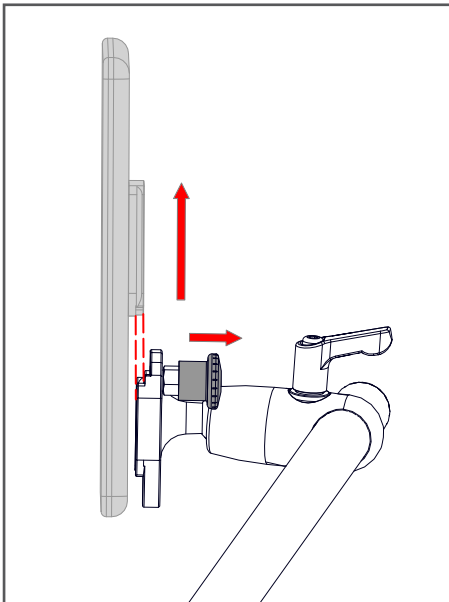
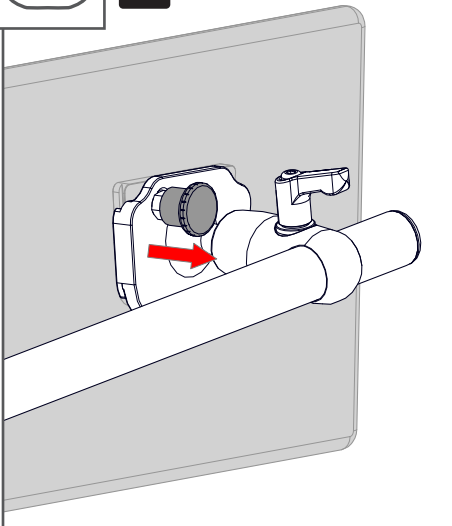
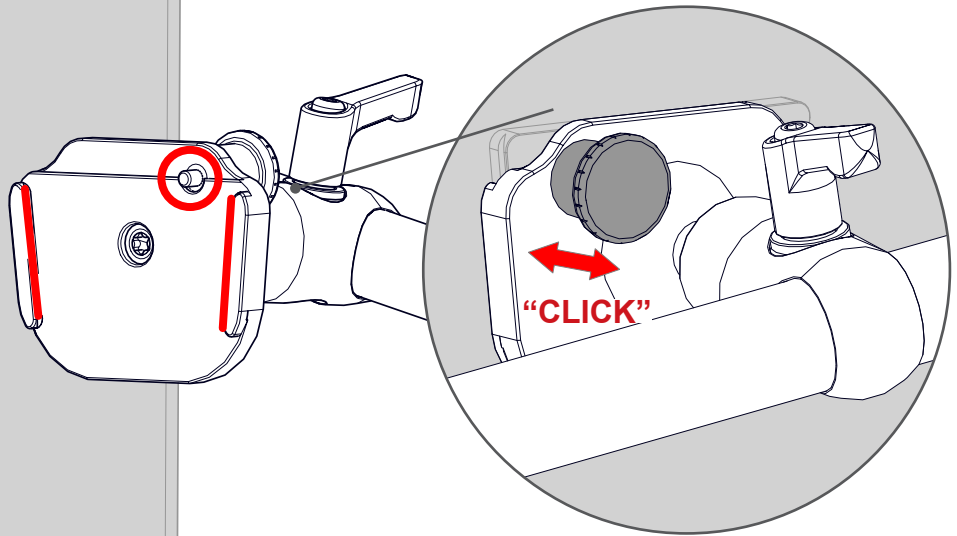
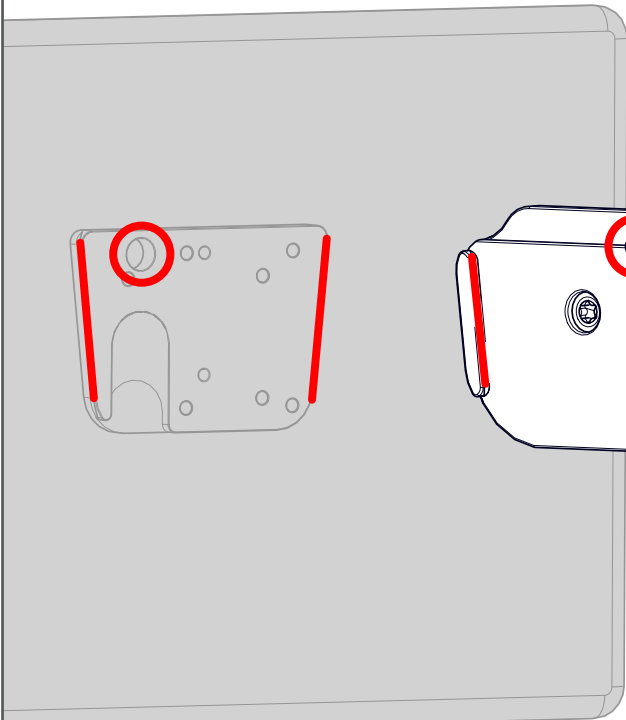
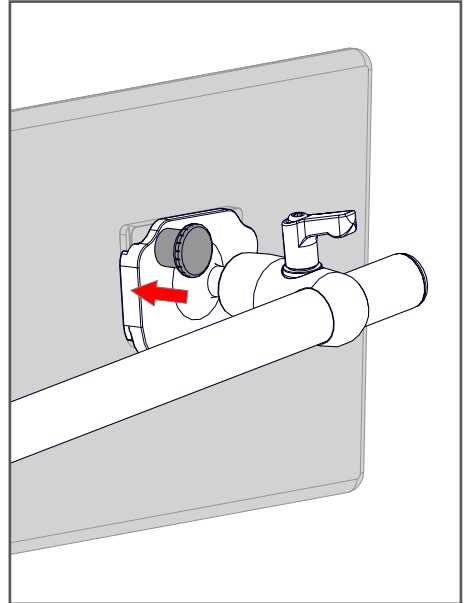
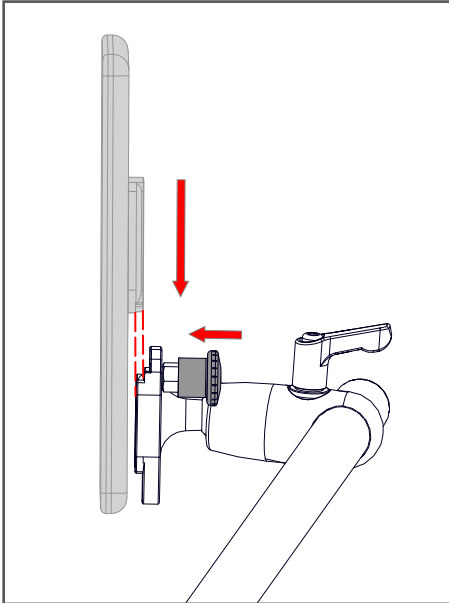
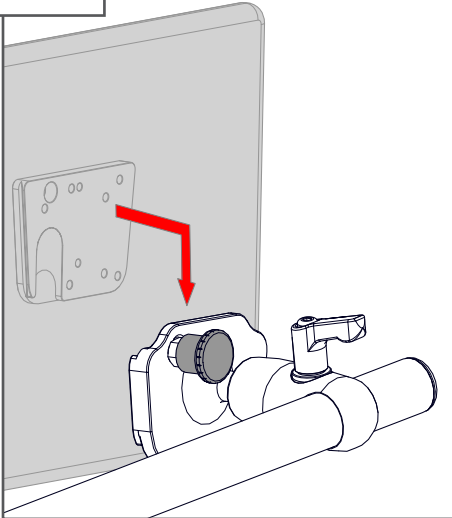
9

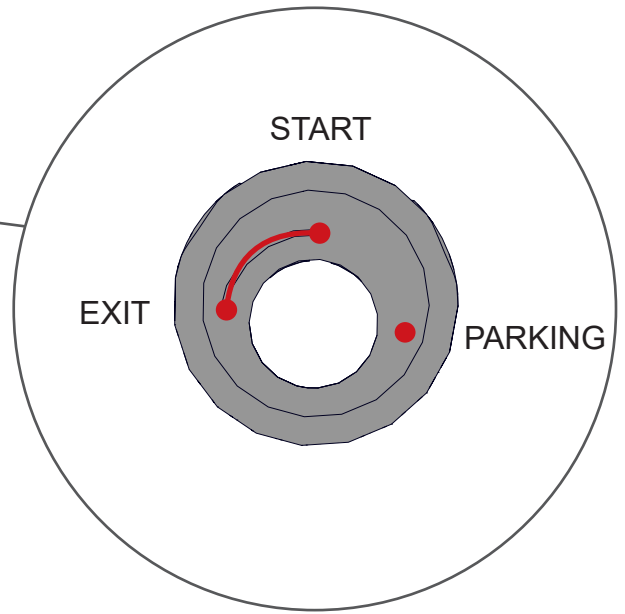
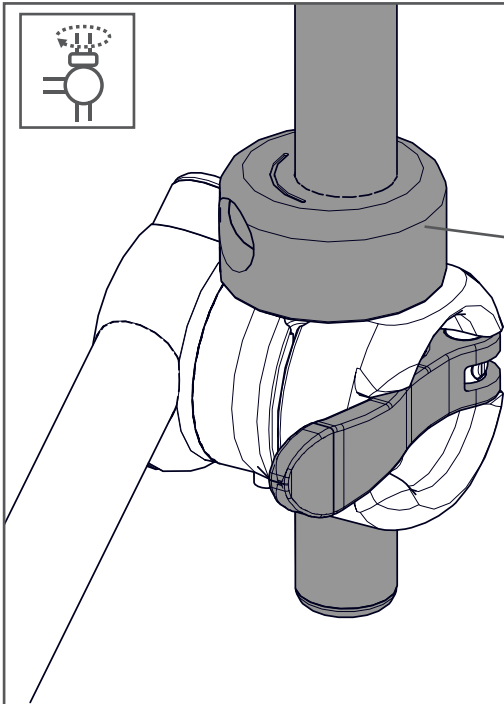
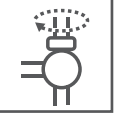






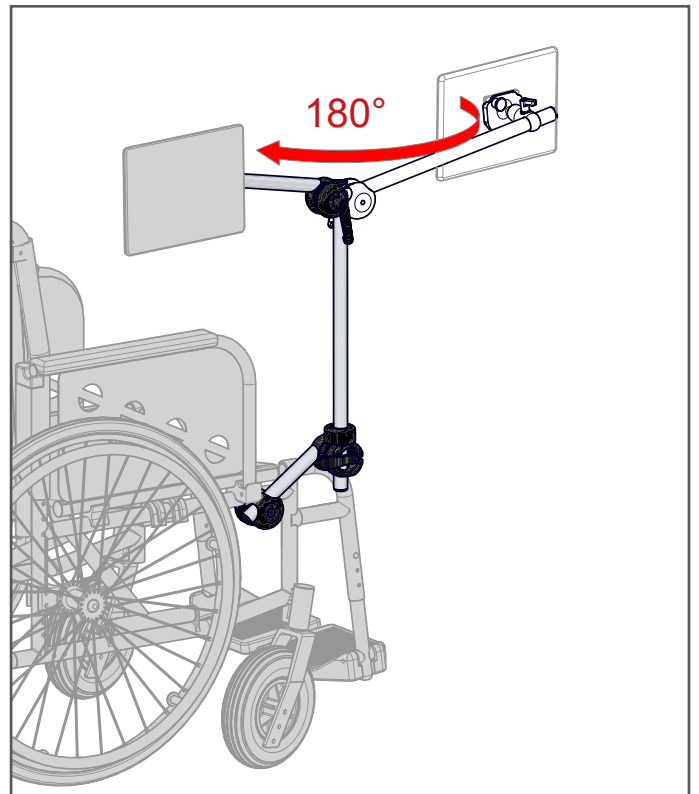
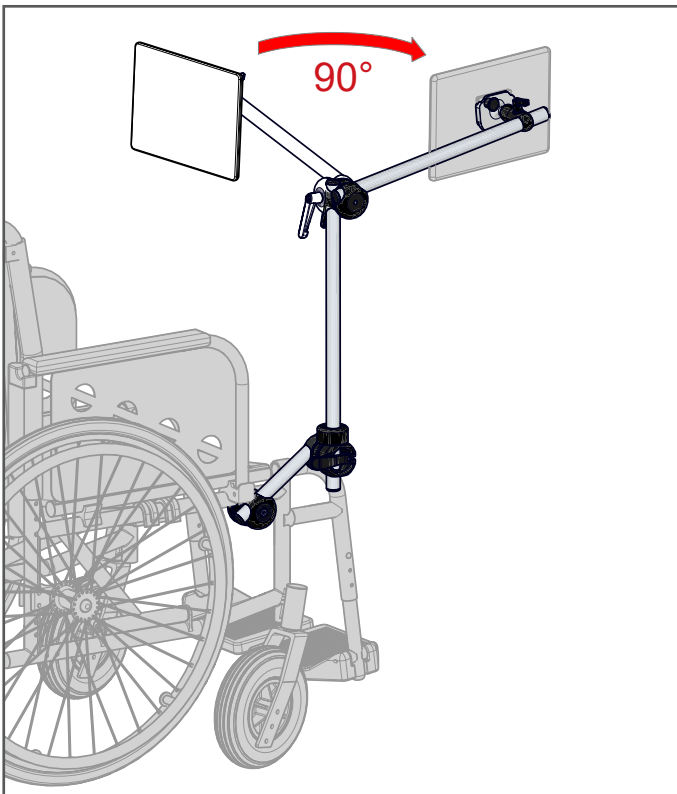
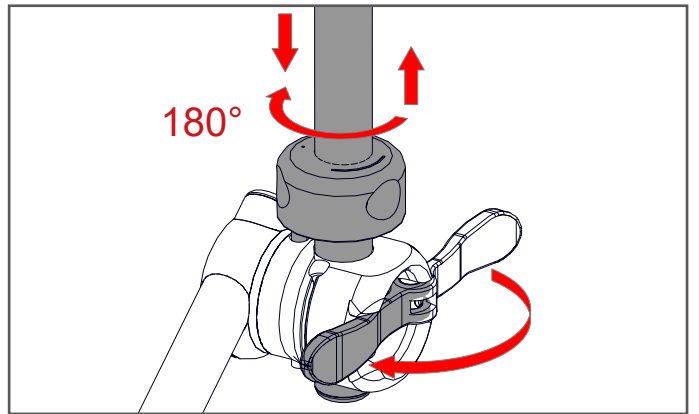
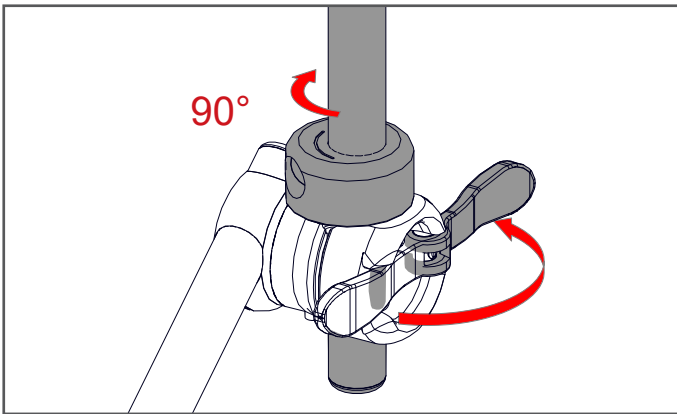


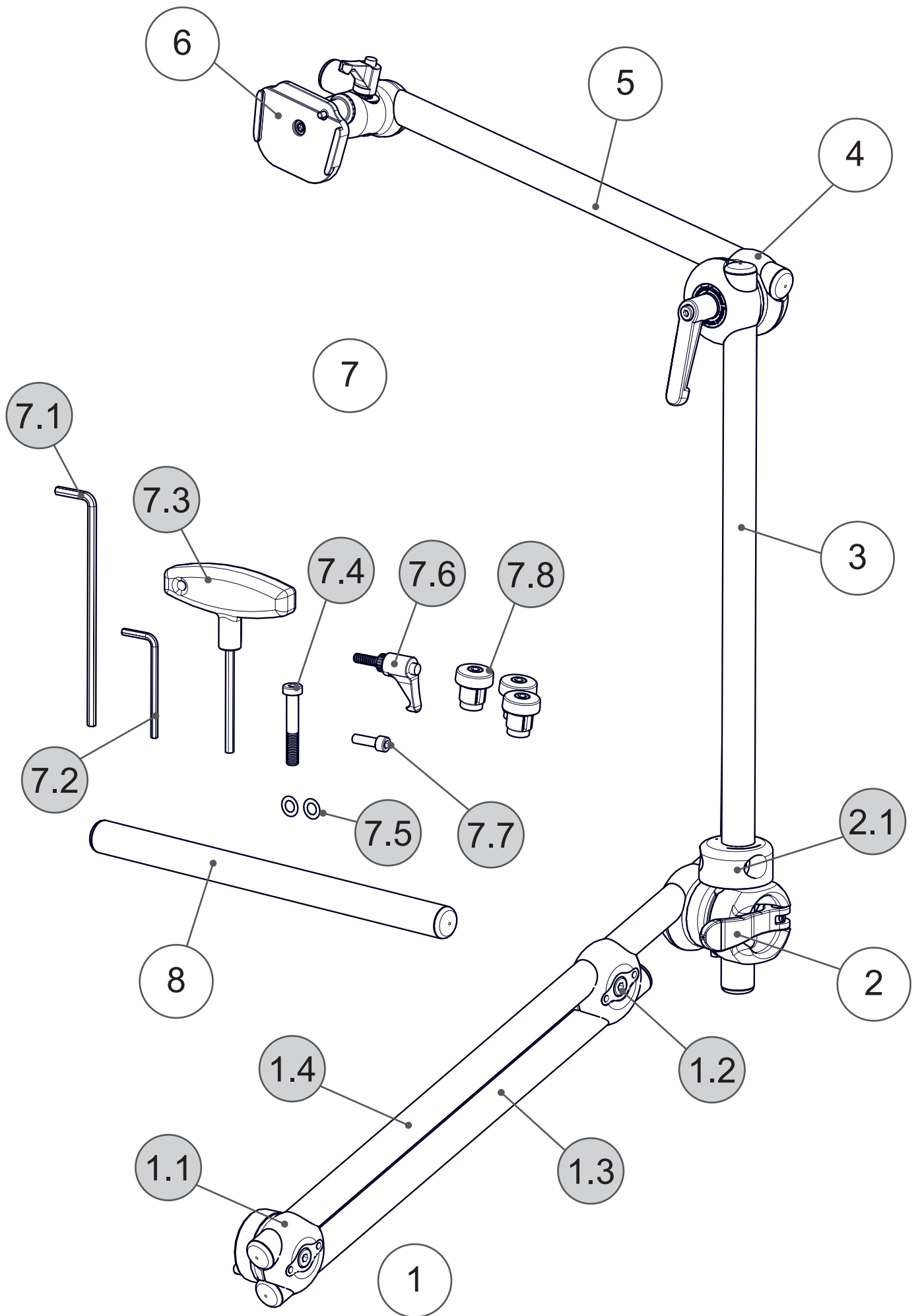




START → EXIT

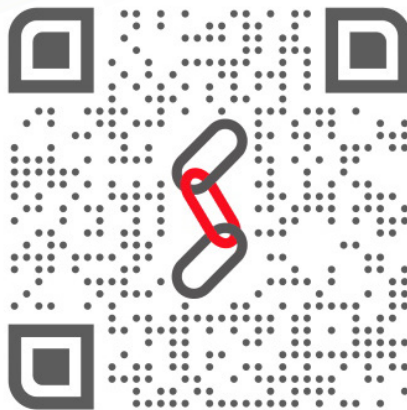
EXIT → PARKING





Pos.	No.	Bezeichnung	Description
1	11.1403	M3D HD Nachrüstsatz	M3D HD Upgrade-kit
1.1	11.1081	M3D Rohraufnahme Rotation Lock HD	M3D Tube Socket Rotation Lock HD
1.2	11.1500	M3D Connector HD	M3D Connector HD
1.3	01.5020	Rohr Ø22x400	Tube Ø22x400
1.4	01.5030	Rohr Ø22x500	Tube Ø22x500
2	11.1220	M3D Schwenklager S	M3D Swivel-unit S
2.1	11.1251	M3D Rast-Slot	M3D Indexing-Slot
3	01.5030	Rohr Ø22x500	Tube Ø22x500
4	11.1350	M3D Uni QuickShift	M3D Uni QuickShift
5	01.5020	Rohr Ø22x400	Tube Ø22x400
6	16.1051	UGA-22-DC	UDS-22-DC
7	11.3312BS	Schraubensatz M3D UGA-DC	Set of bolts - M3D with UDS-DC
7.1	01.0008	Innensechskantschlüssel 5mm lang	Allen wrench 5mm long
7.2	01.0029	Innensechskantschlüssel 4mm	Allen wrench 4mm
7.3	01.0027	T-Griff	T-Handle
7.4	01.0850	Zylinderschraube M8x50	Cylinder head bolt M8x50
7.5	01.0310	Passscheibe	Adjusting washer
7.6	01.0025	Klemmhebel M6x20	Clamping lever M6x20
7.7	01.0620	Zylinderschraube M6x20	Cylinder head bolt M6x20
7.8	01.5995	Abrutschsicherung	Slip-out safeguard
8	01.5010	Rohr Ø22x300	Tube Ø22x300





Rehadapt Engineering
GmbH & Co. KG

📄 Heinrich-Hertz-Str. 104
34123 Kassel, Germany

☎ Tel.: +49 561 220 717 0
📠 Fax: +49 561 220 717 99

✉ officeteam@rehadapt.com
🌐 <https://rehadapt.com>



Rehadapt
North America

📄 40 Oser Ave
Hauppauge, NY 11788, USA

☎ Tel.: 1 (888) 635-6962
📠 Fax: 1 (888) 635-6962

✉ officeteam.na@rehadapt.com
🌐 <https://rehadapt.com>