



Monty 3D

- 11.3312 **Monty 3D Plus**
- 11.3312CM **Custom Monty 3D Plus**

Sicherheitshinweise
Safety Instructions



Montage
Assembly Instructions



Handhabung
Handling



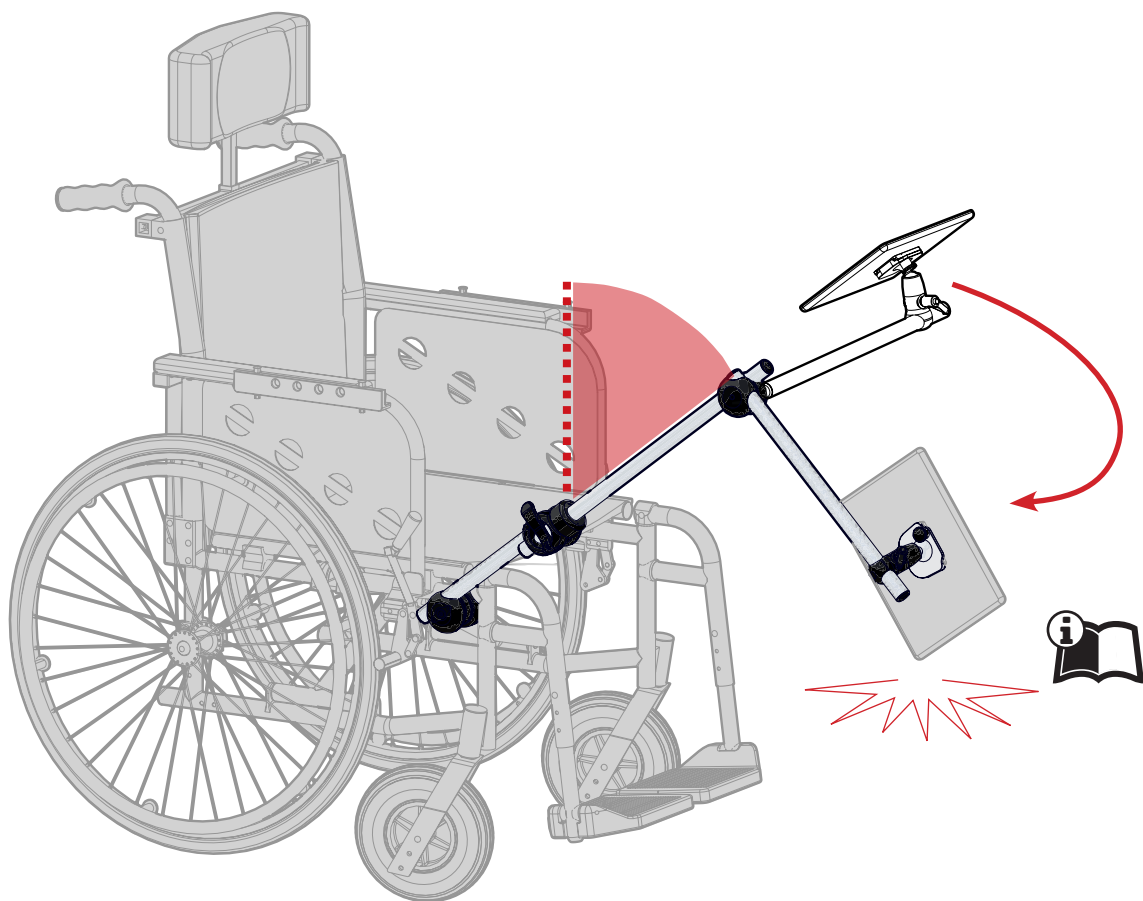
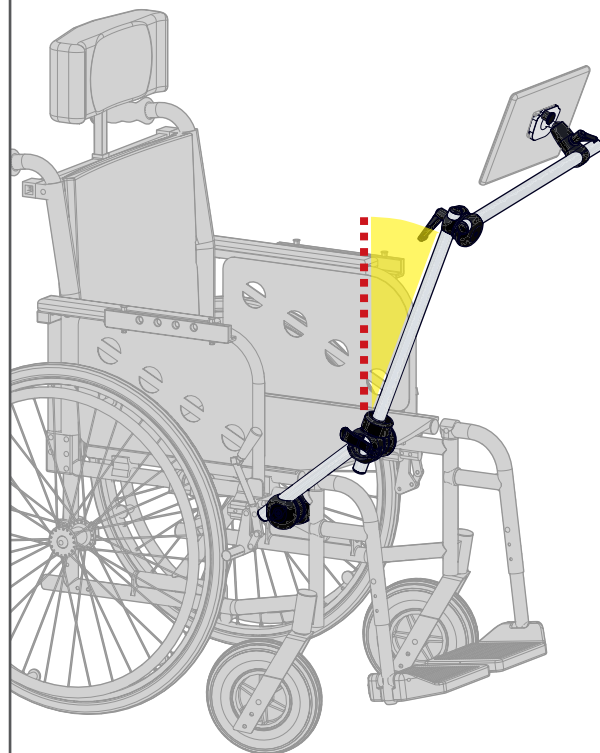
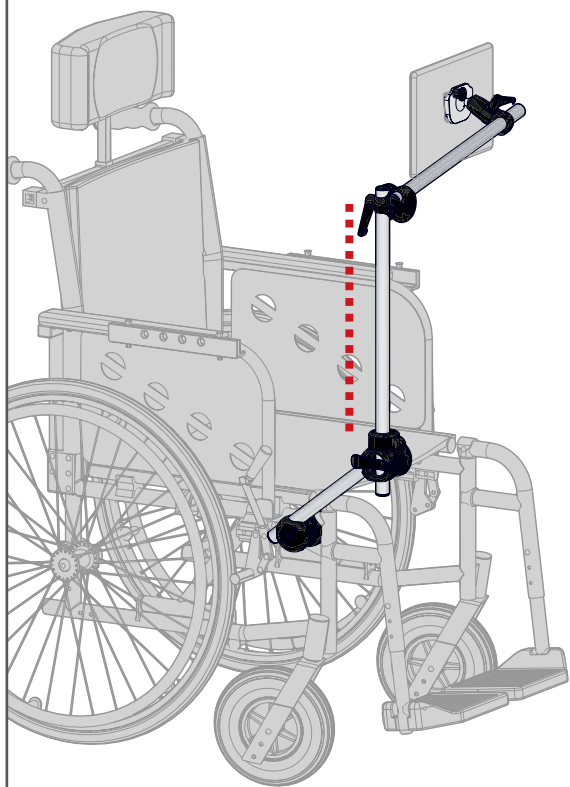
M3D H3D

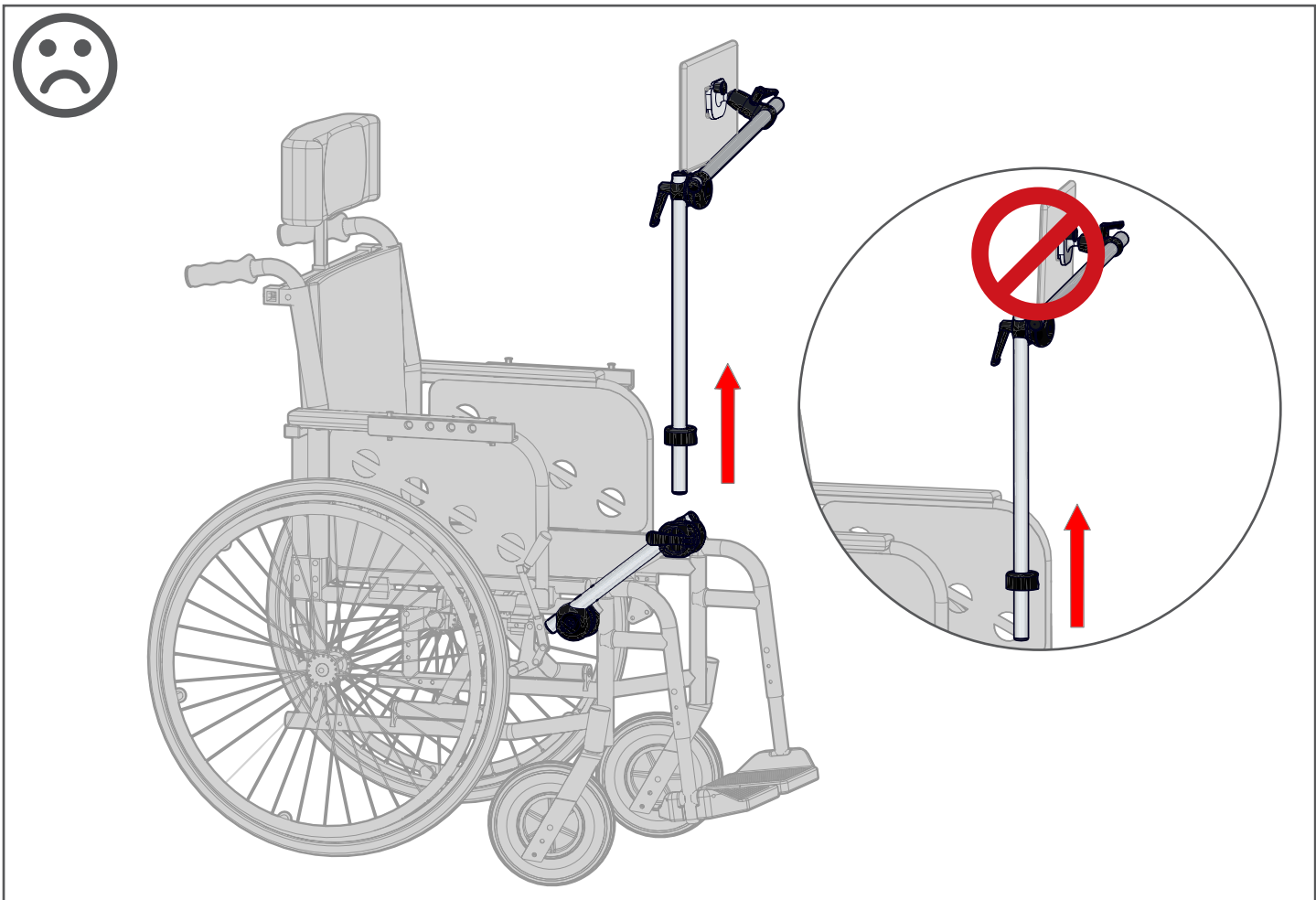
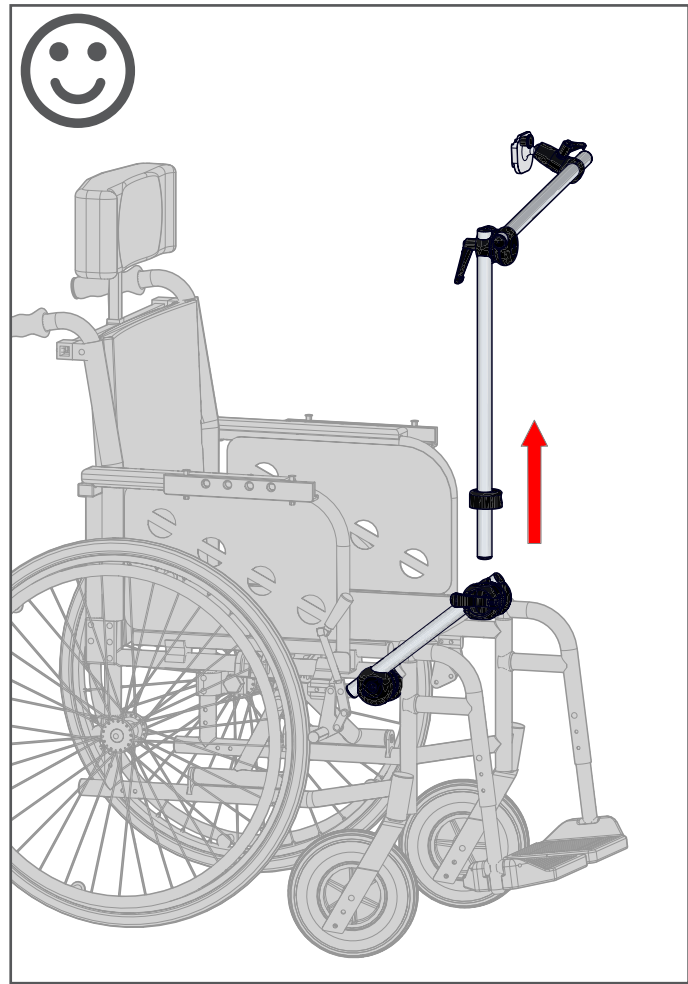
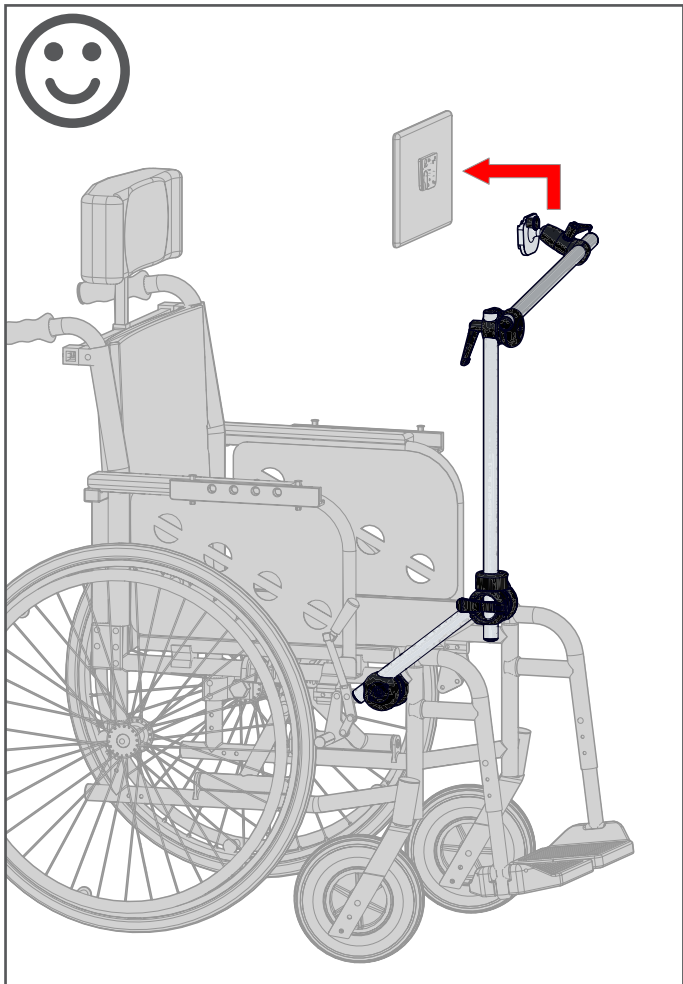
2021-03-08

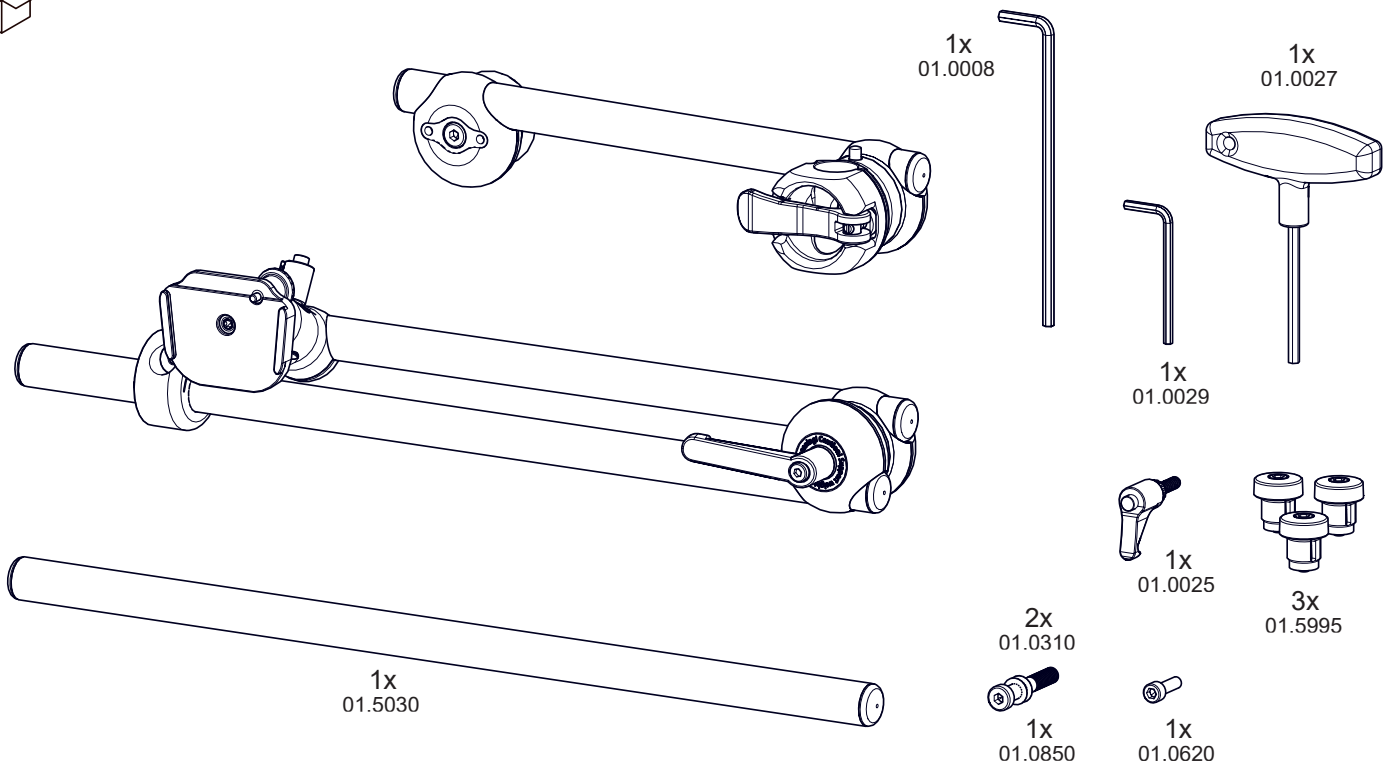
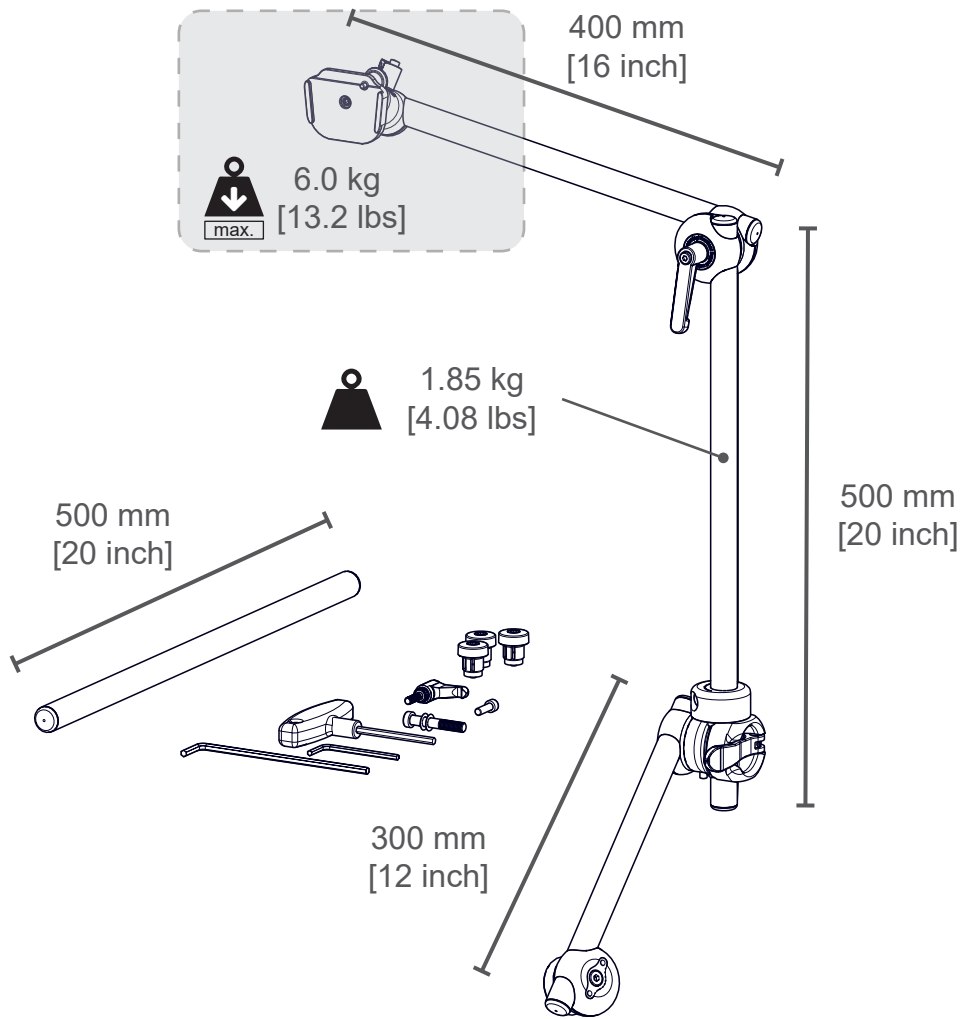
L3D

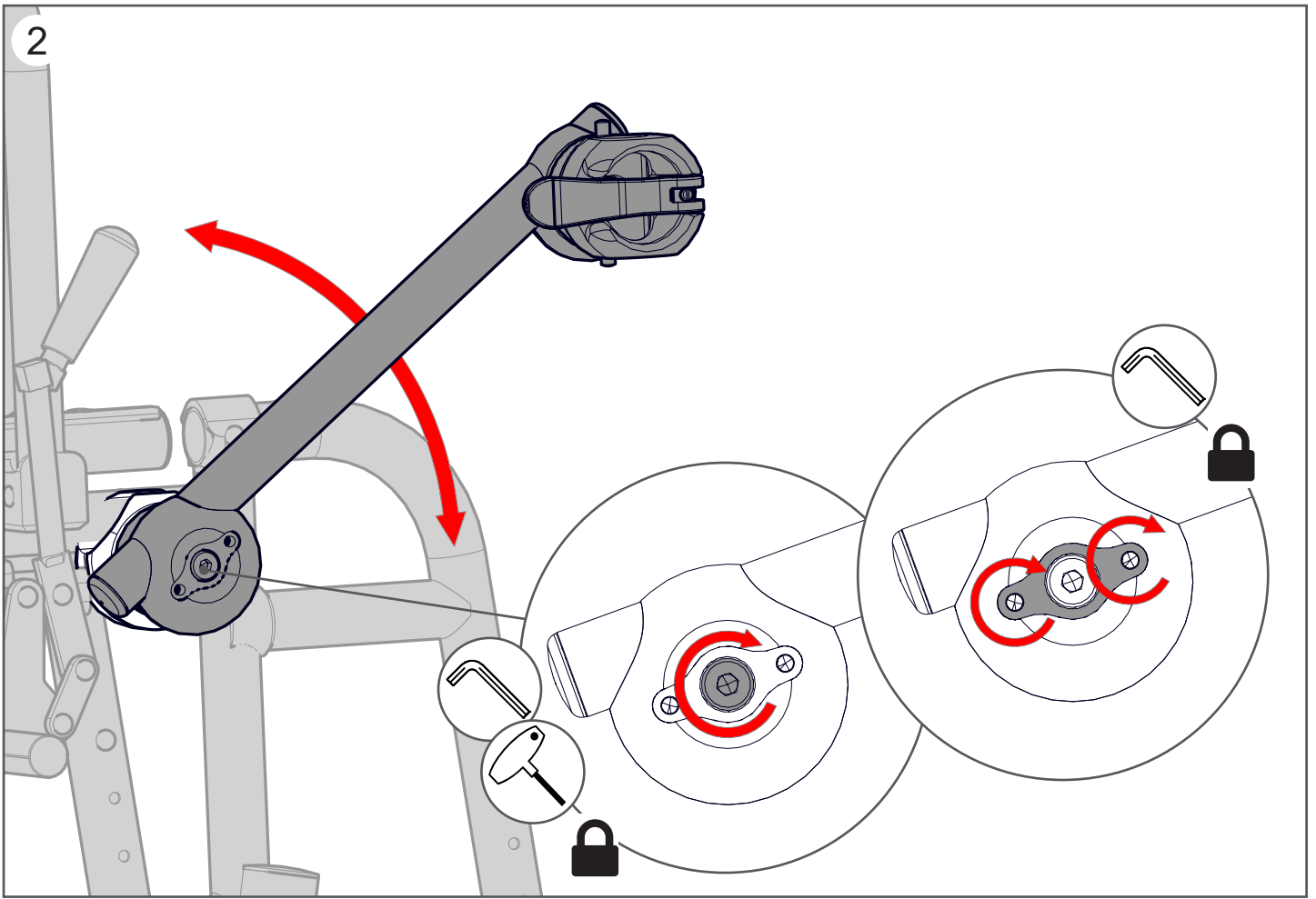
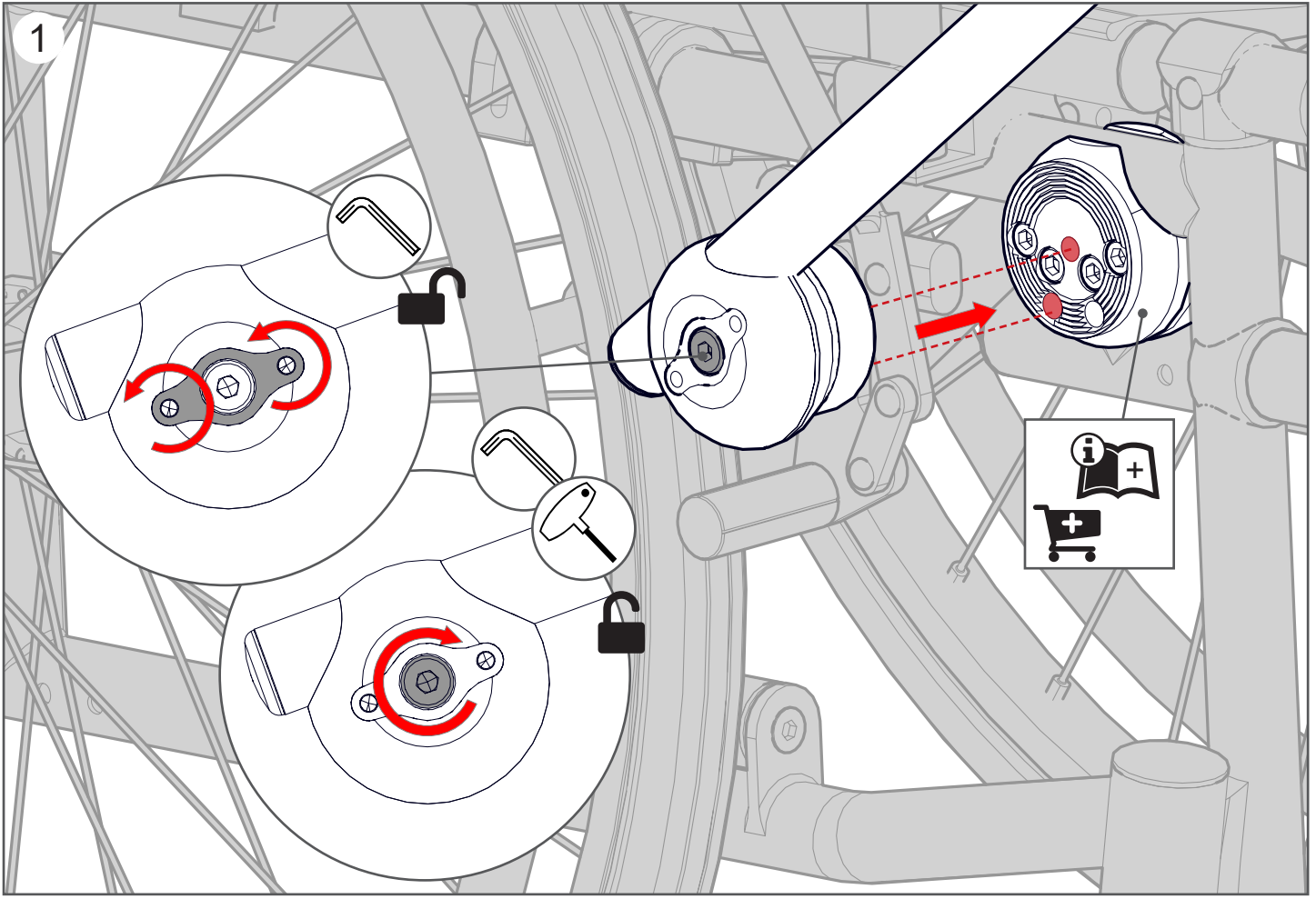
00.5148~A





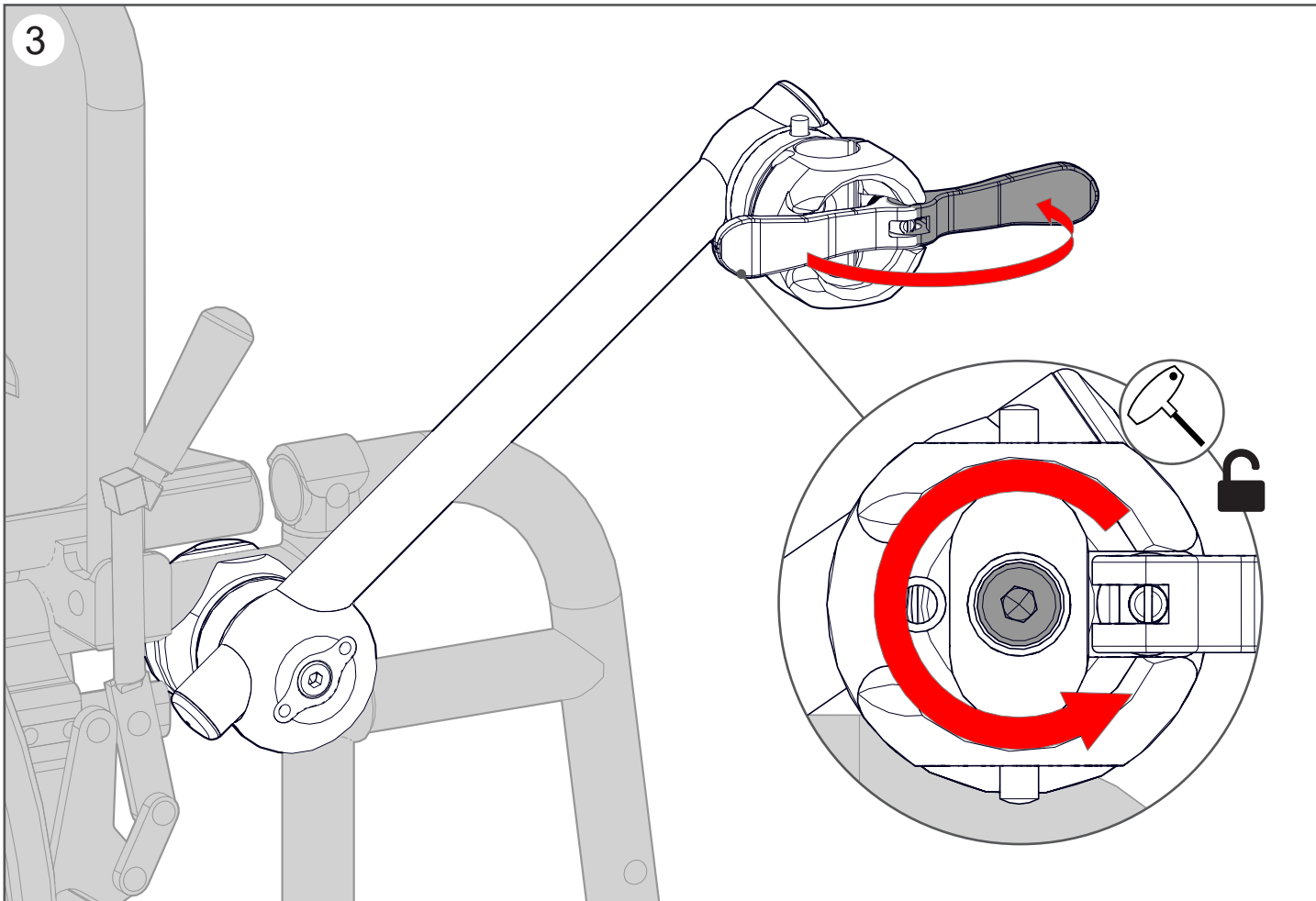




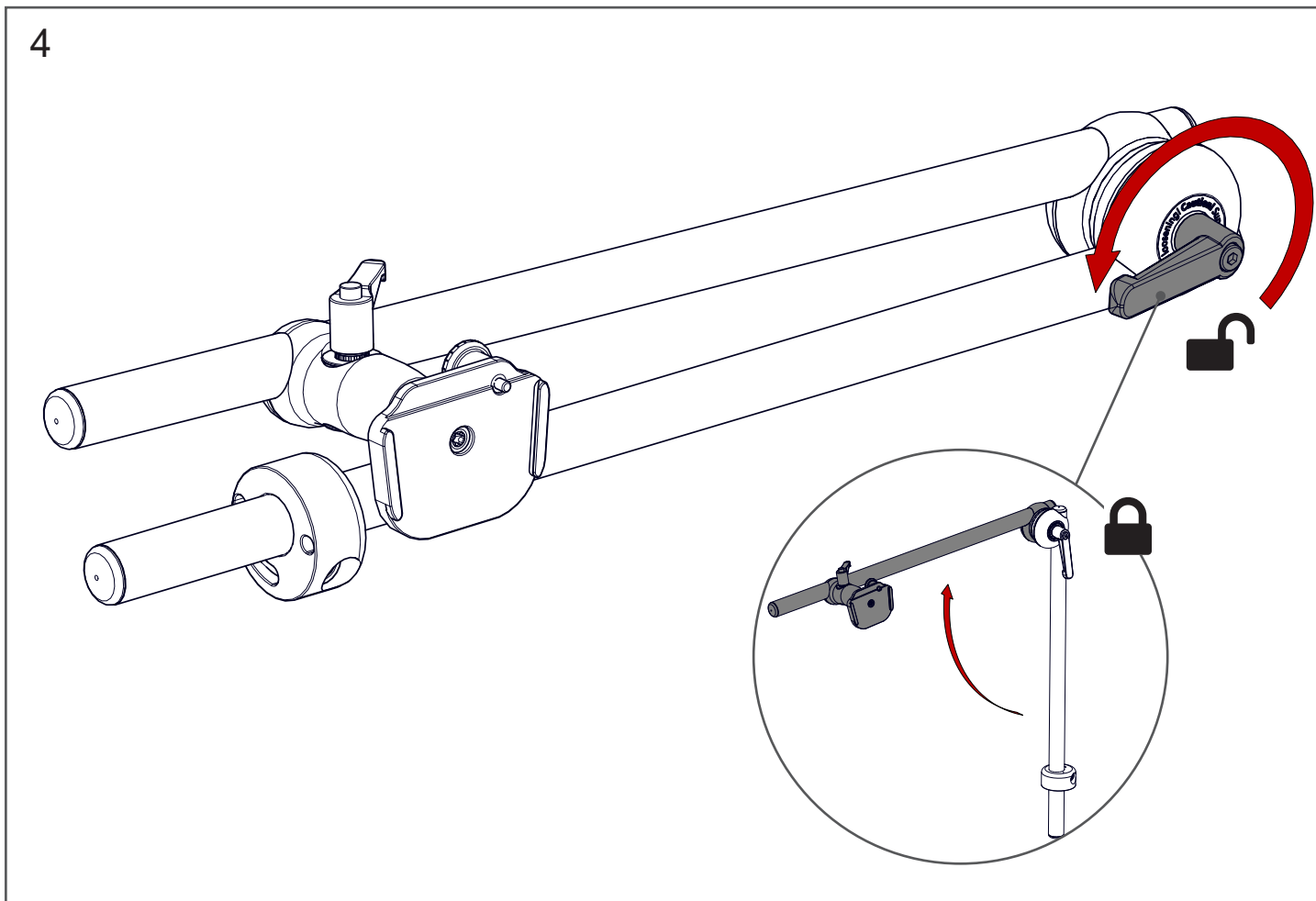




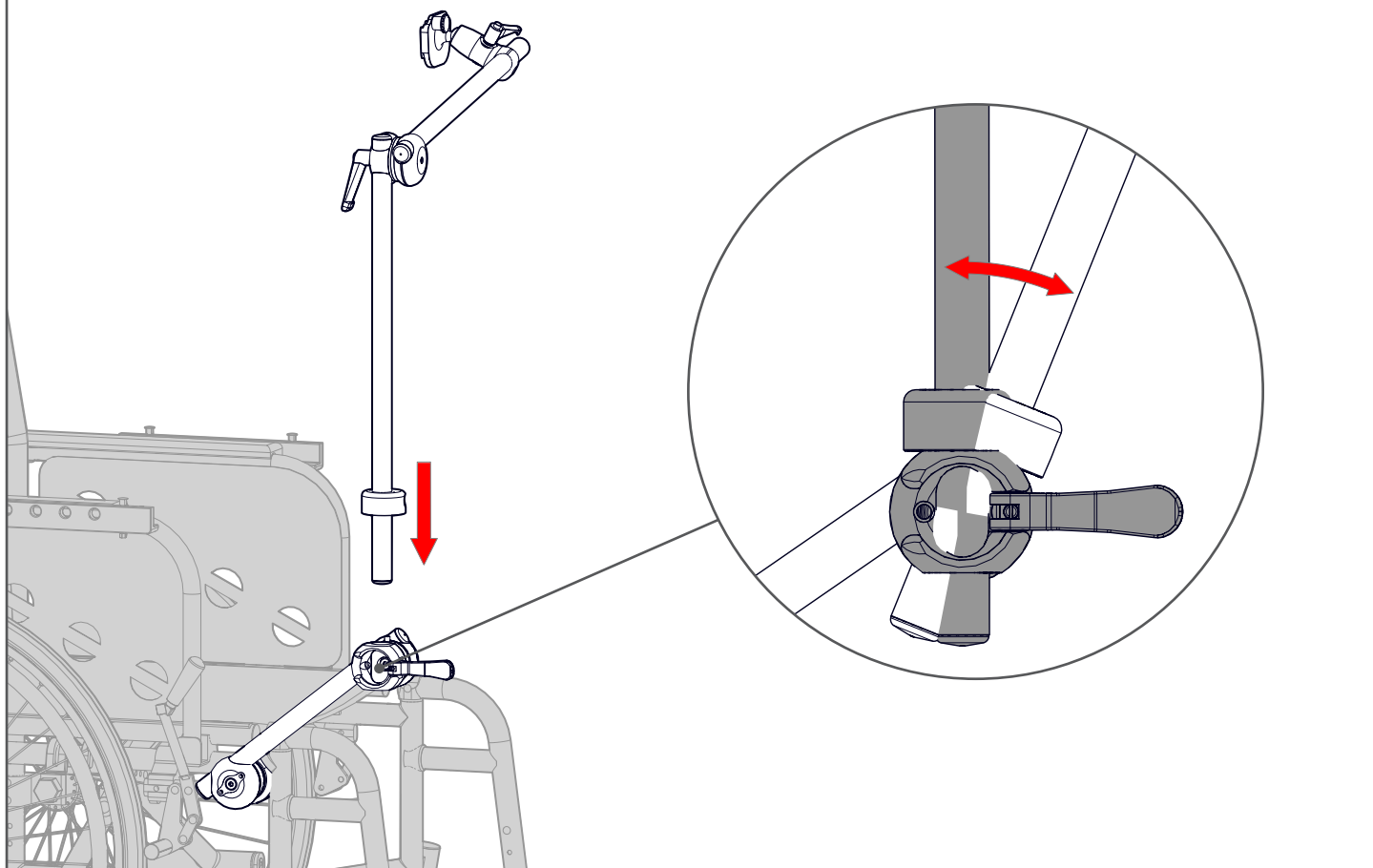
3



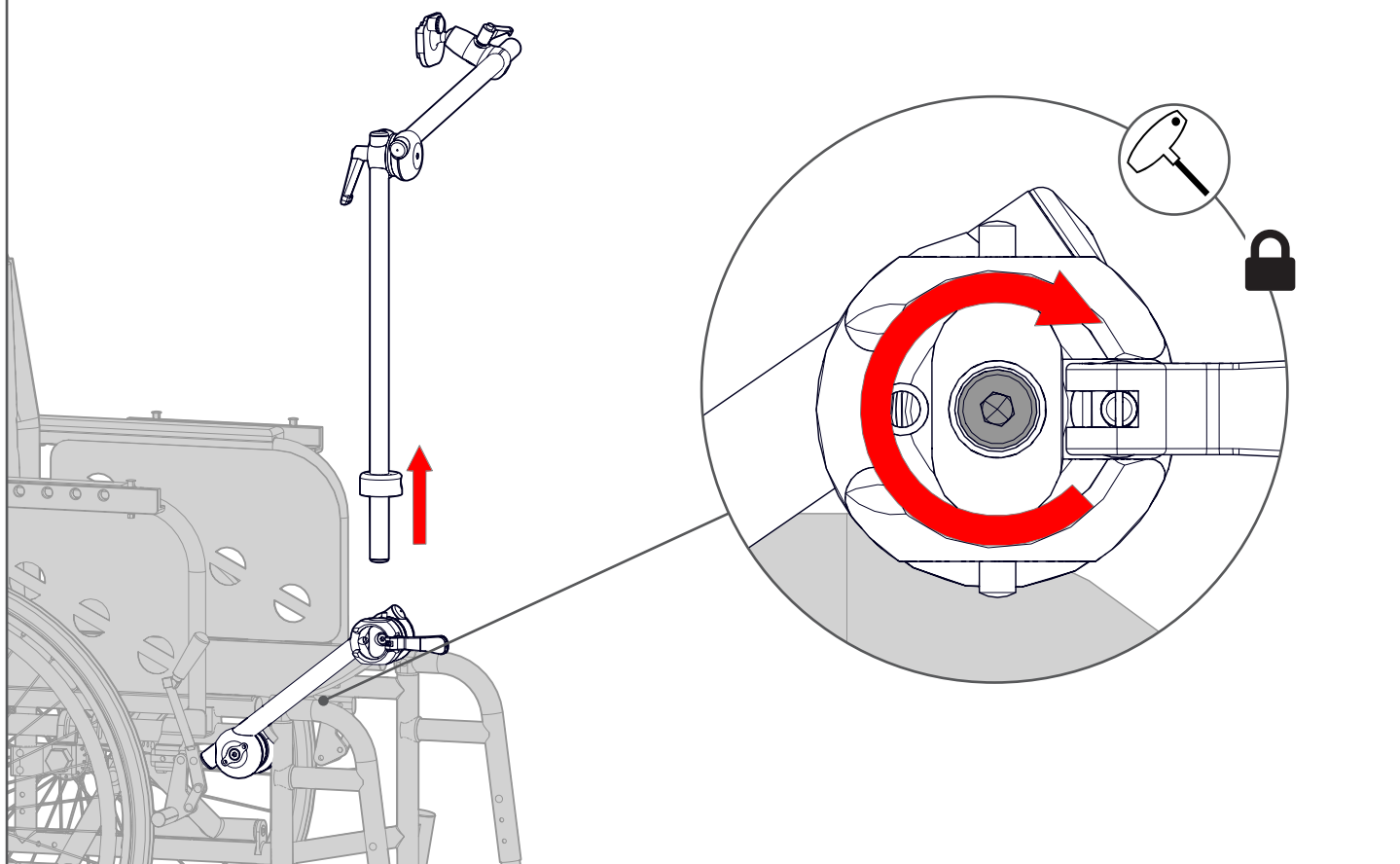
4



5

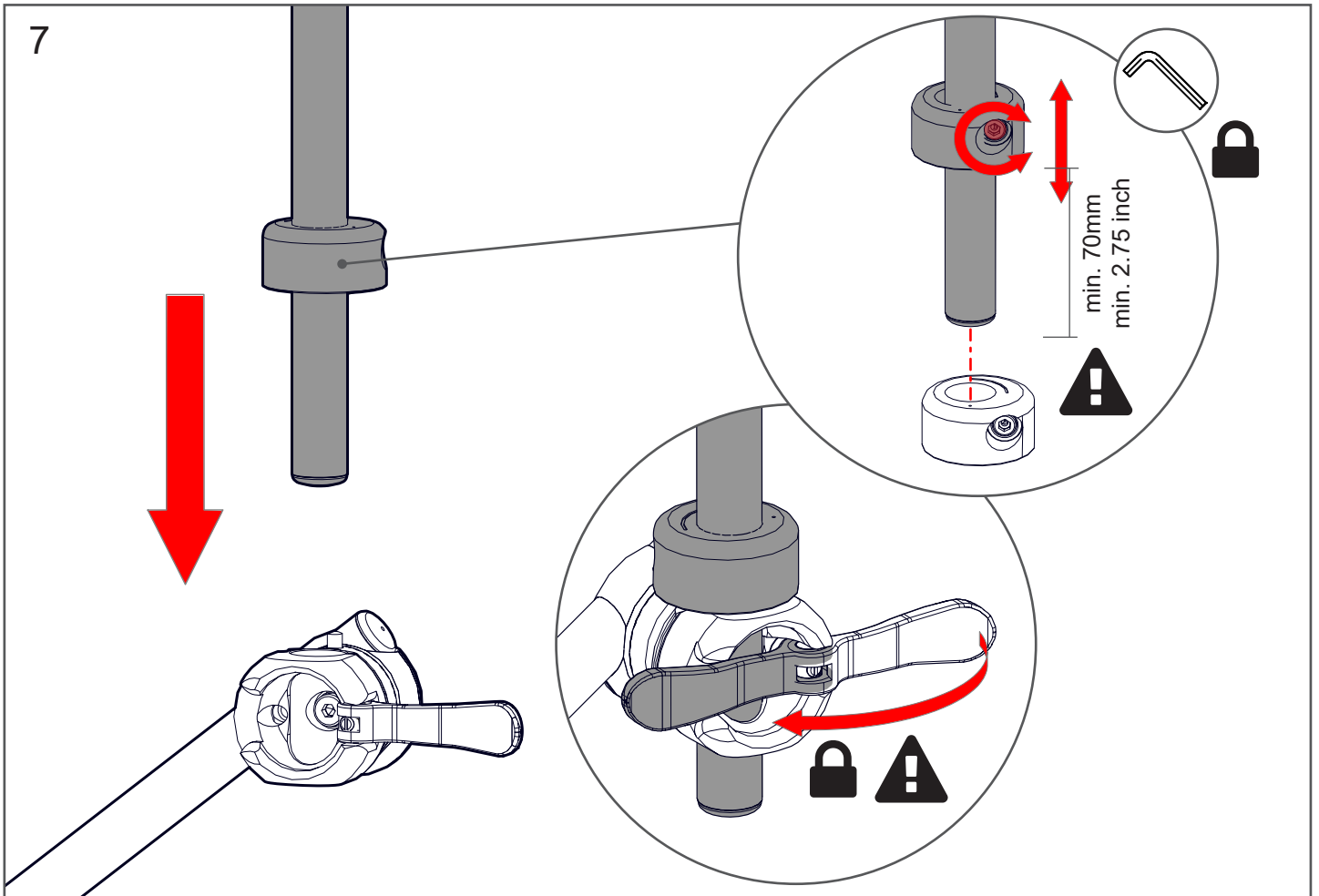


6

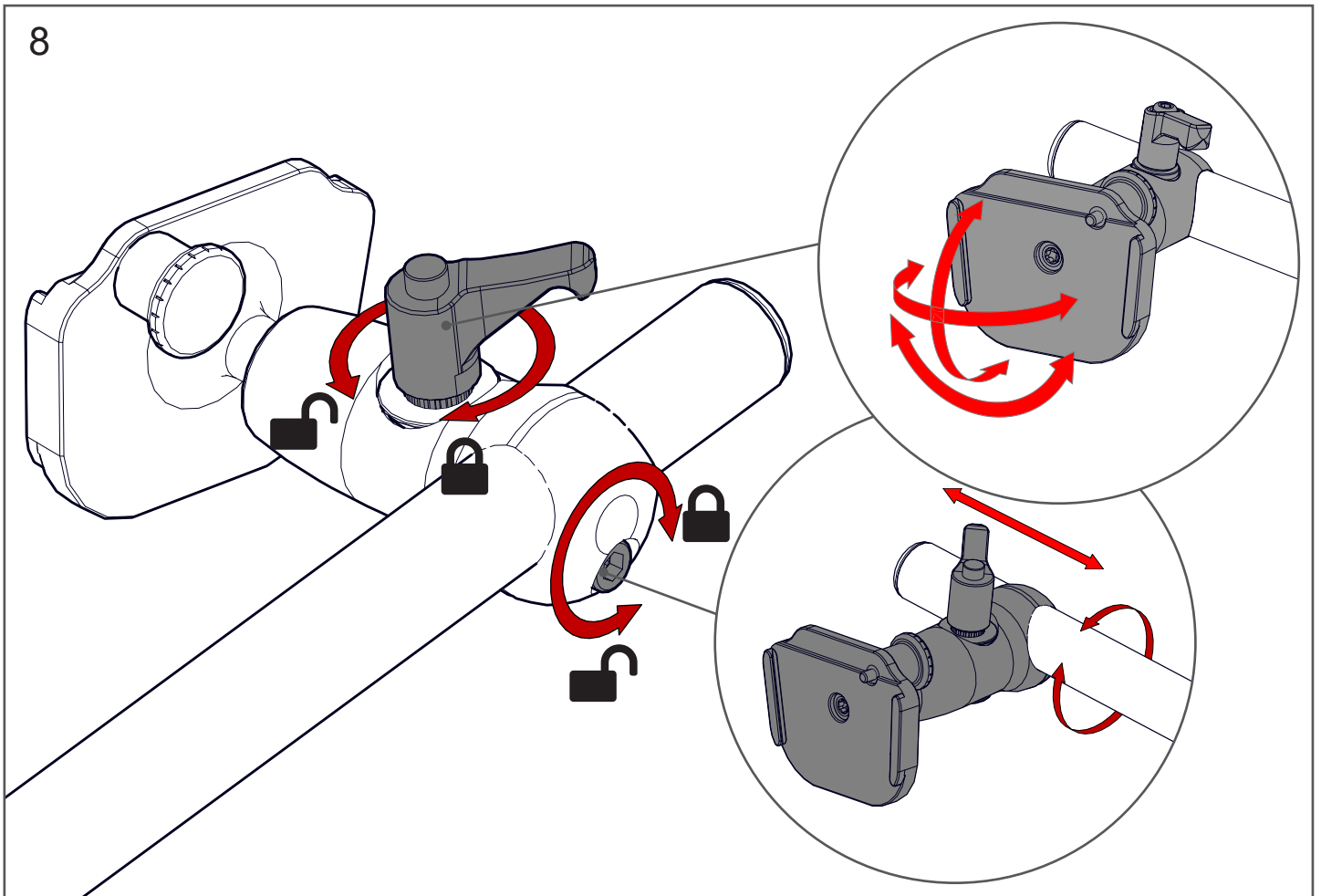


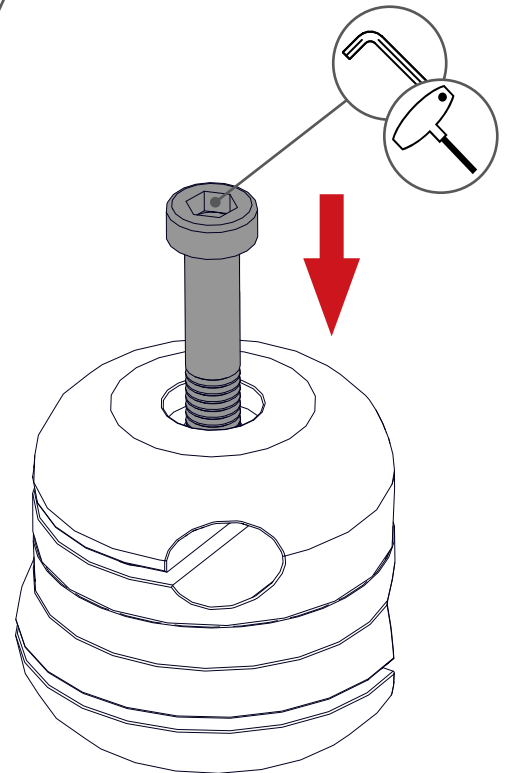
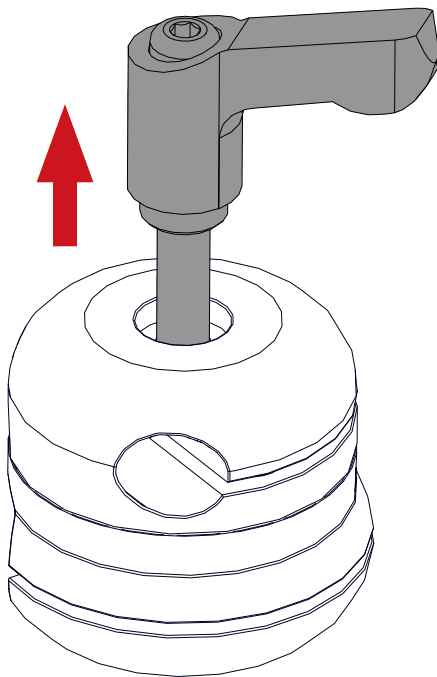
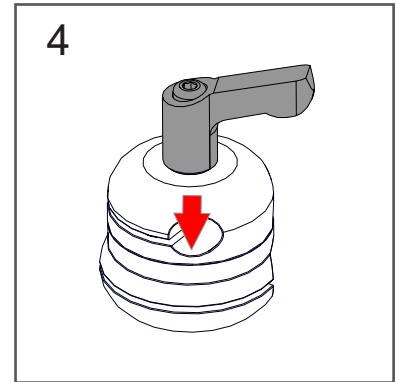
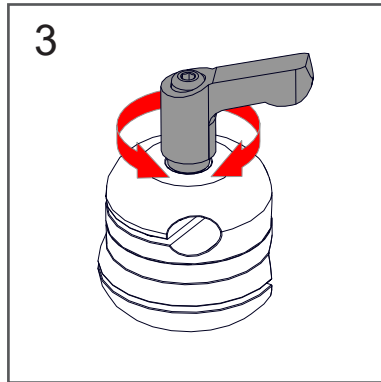
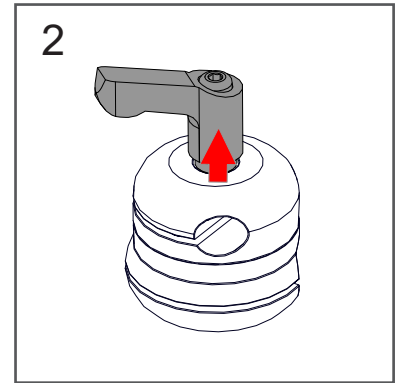
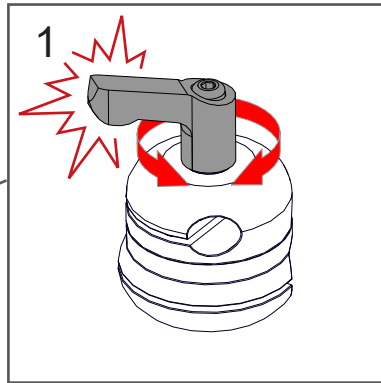
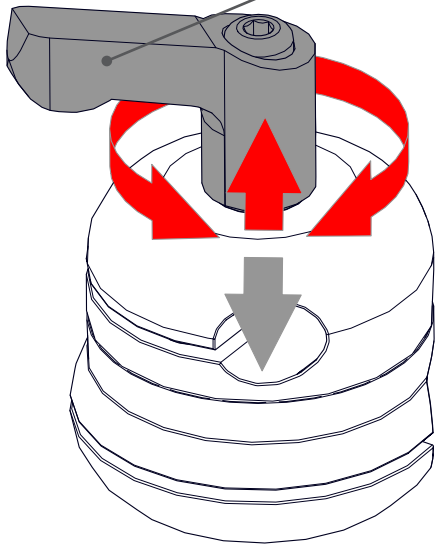


7



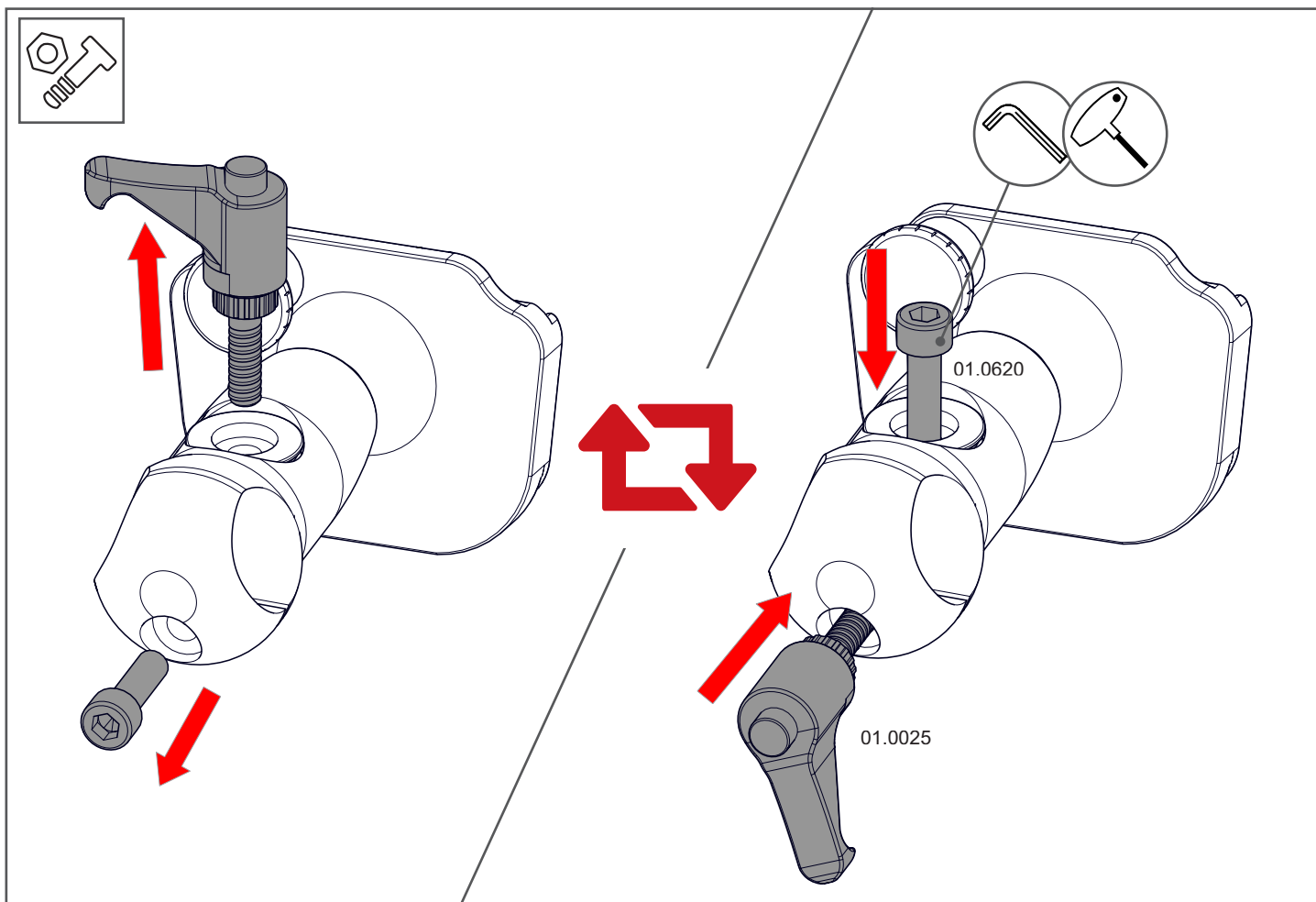
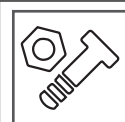
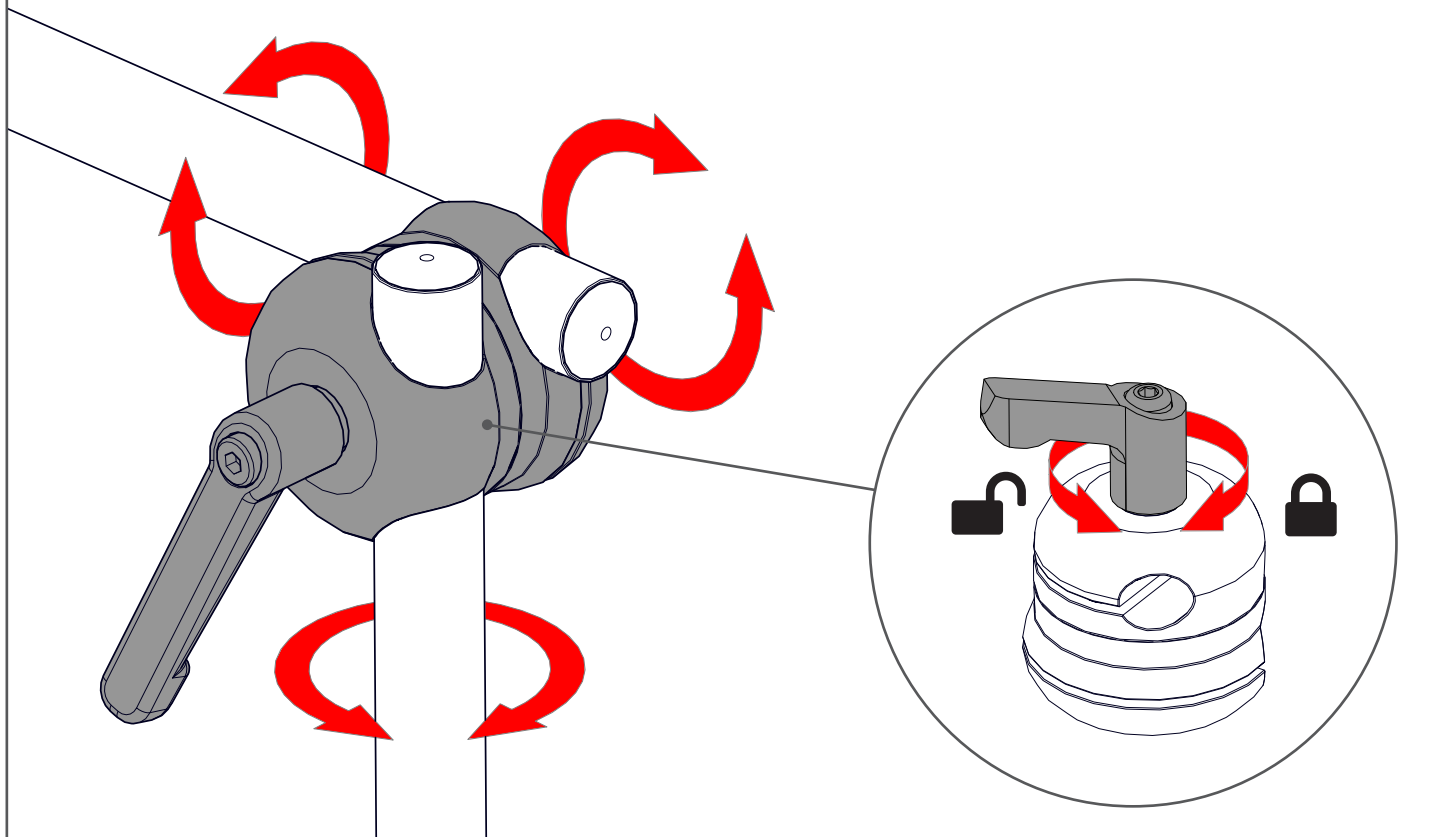
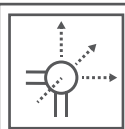
8

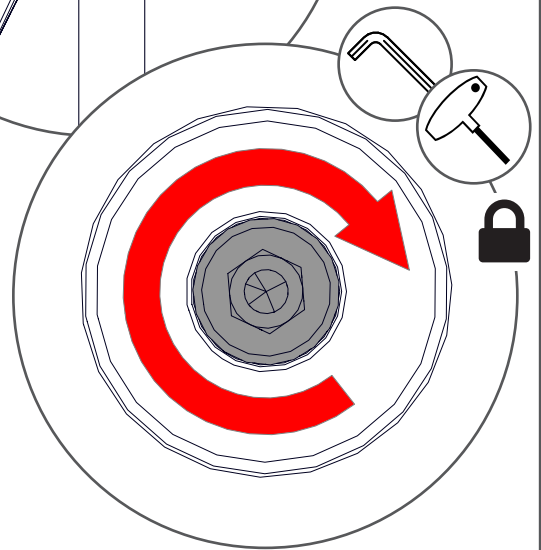
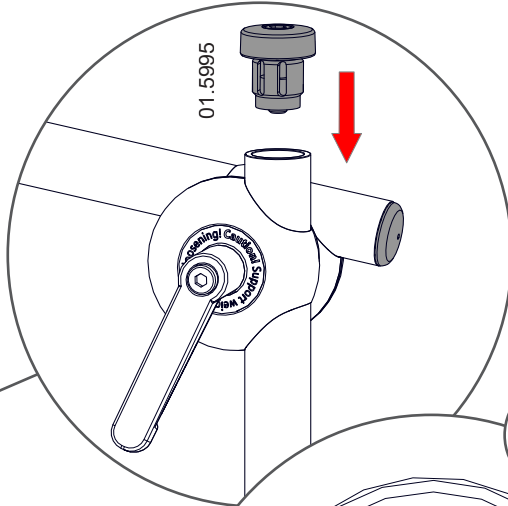
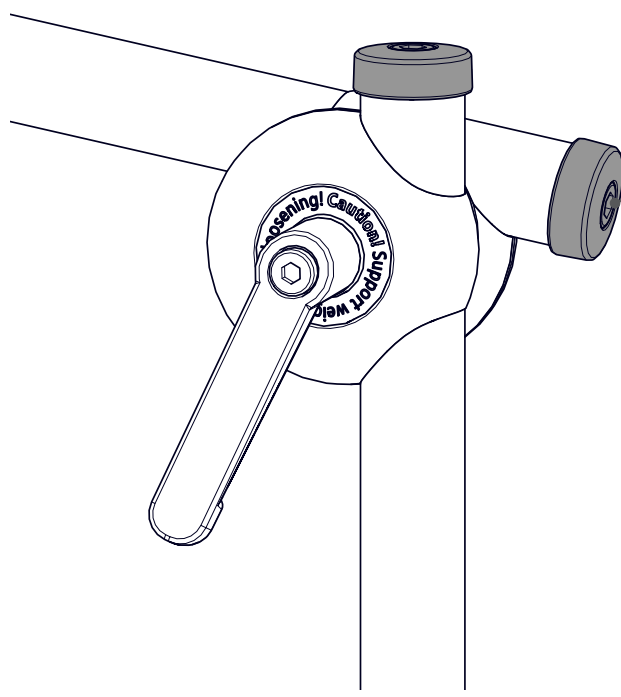
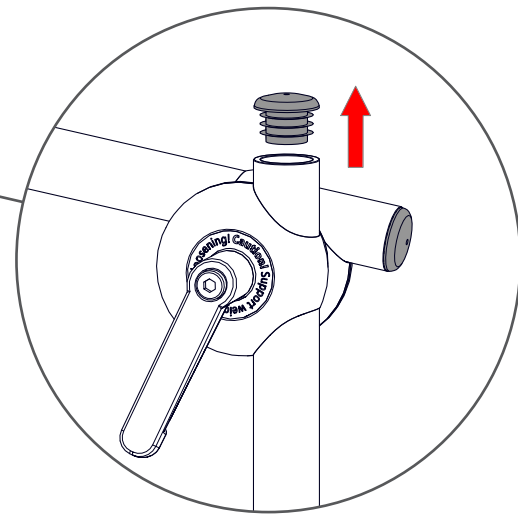
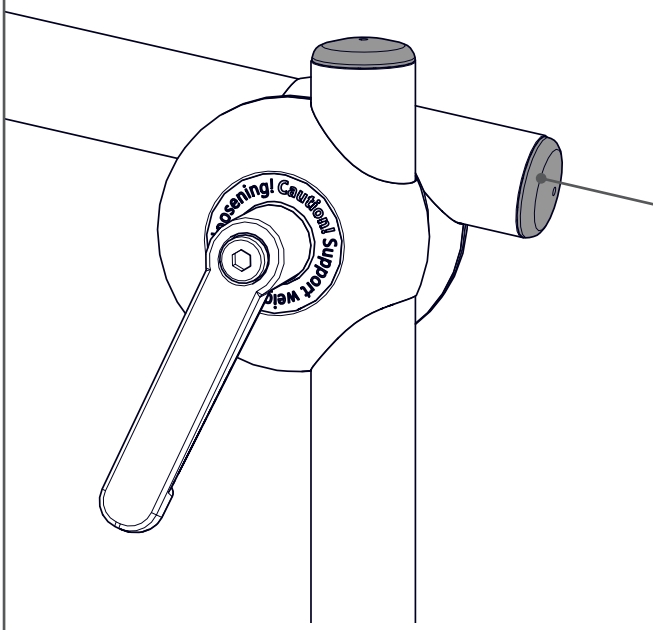
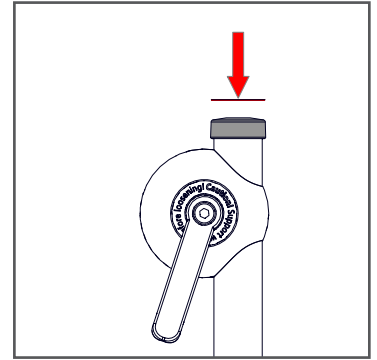
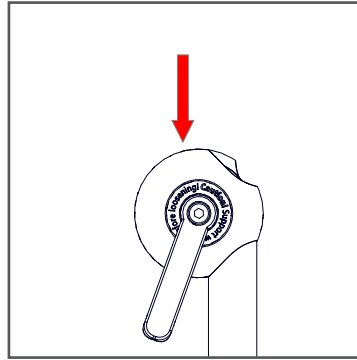


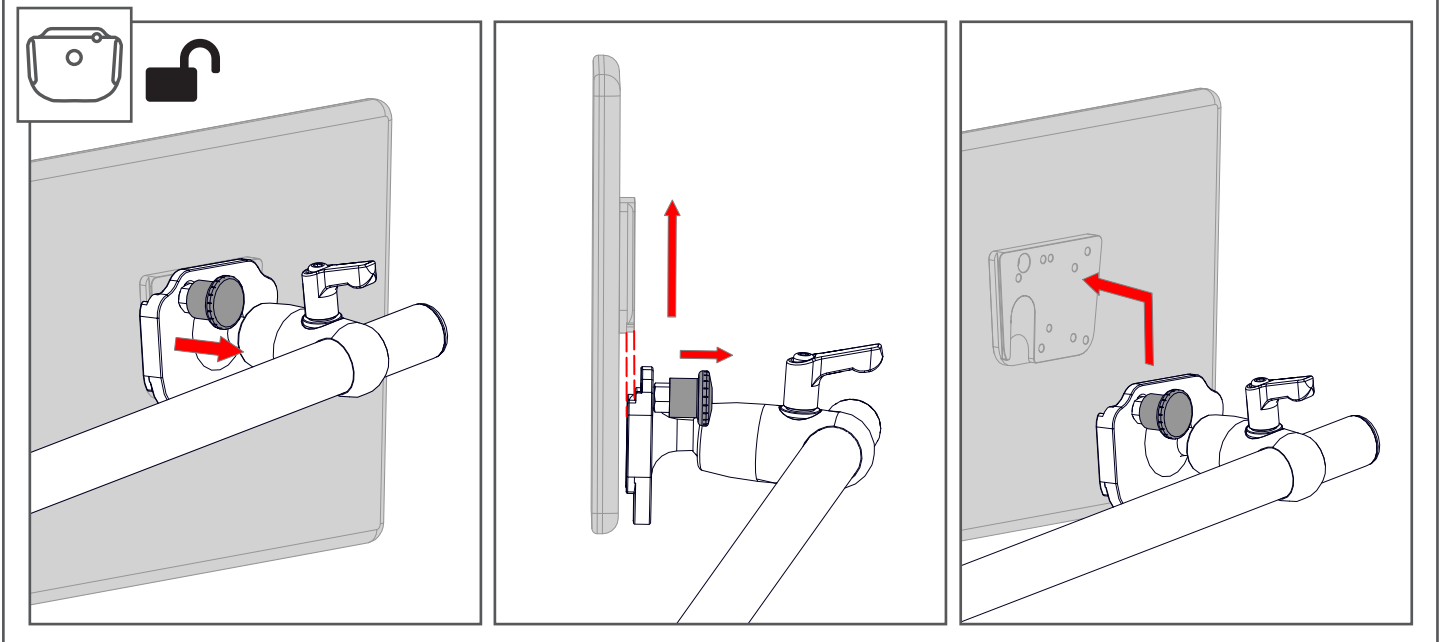
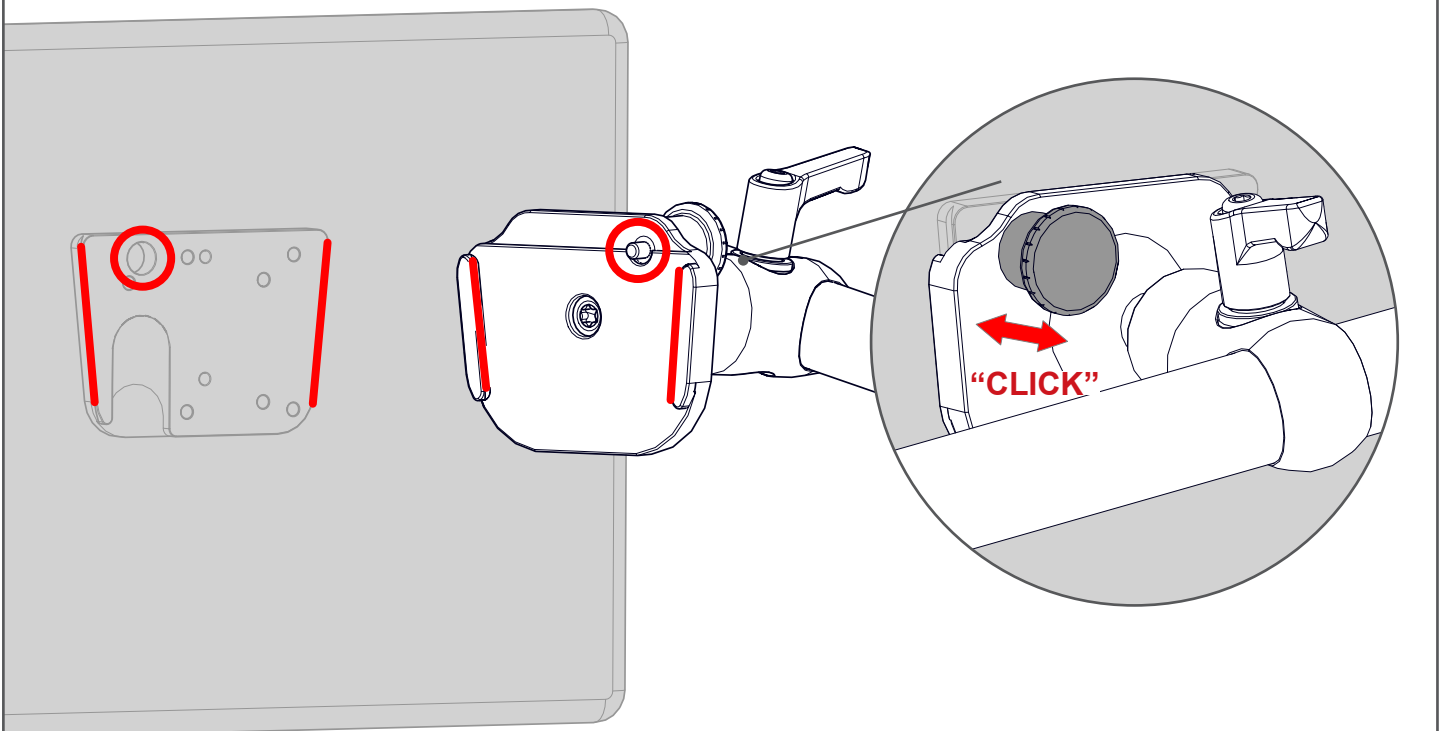
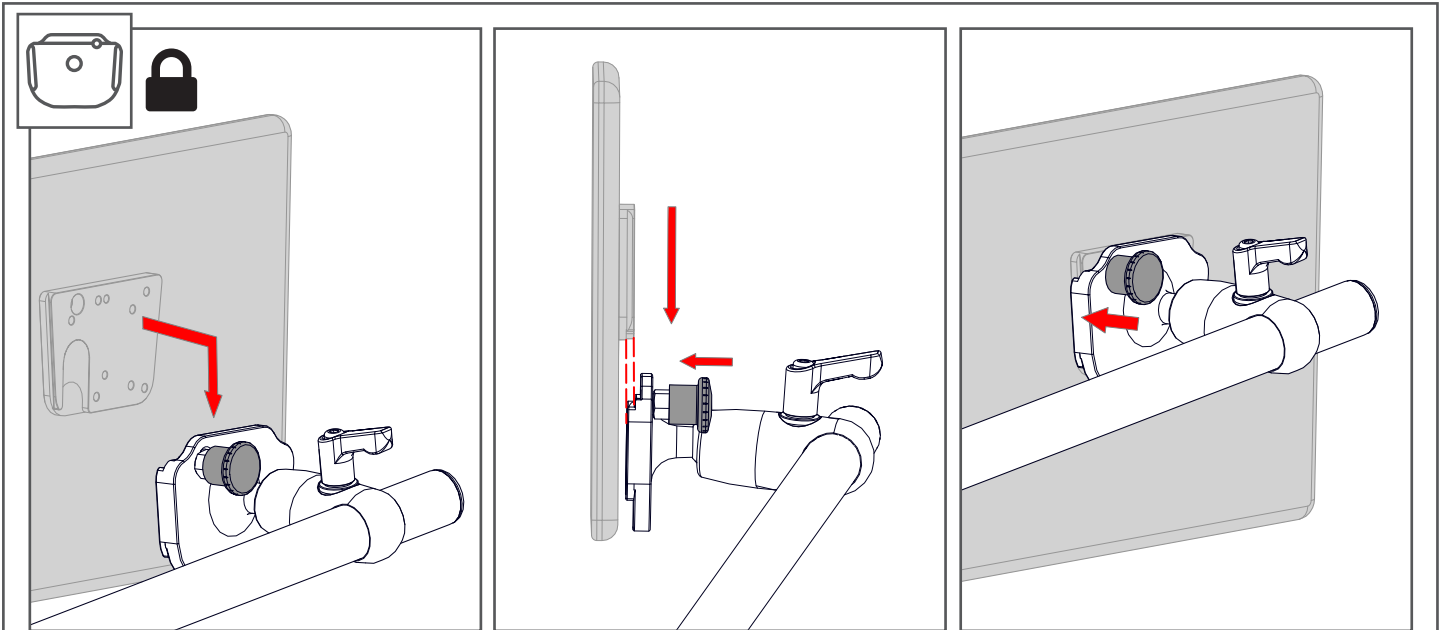


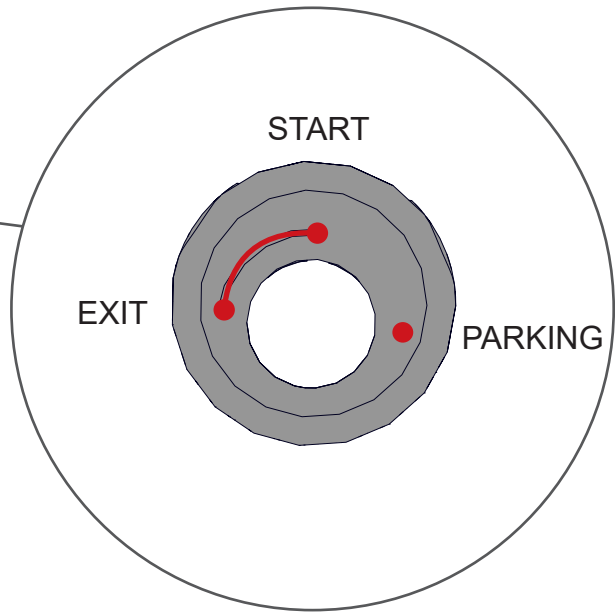
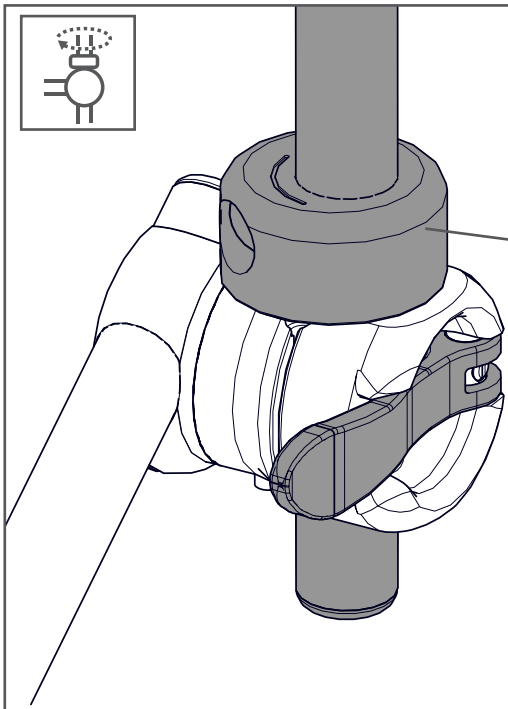
22-22

01.0850



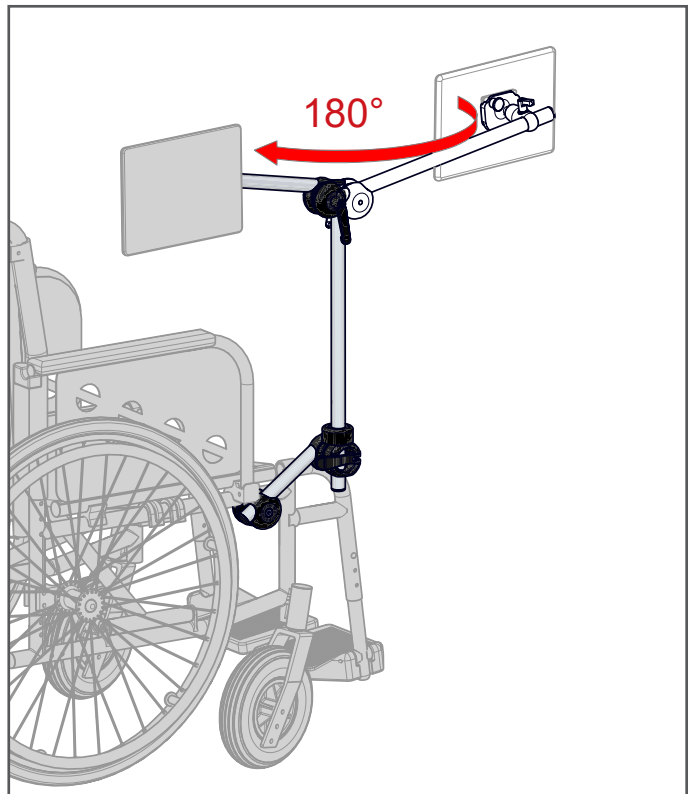
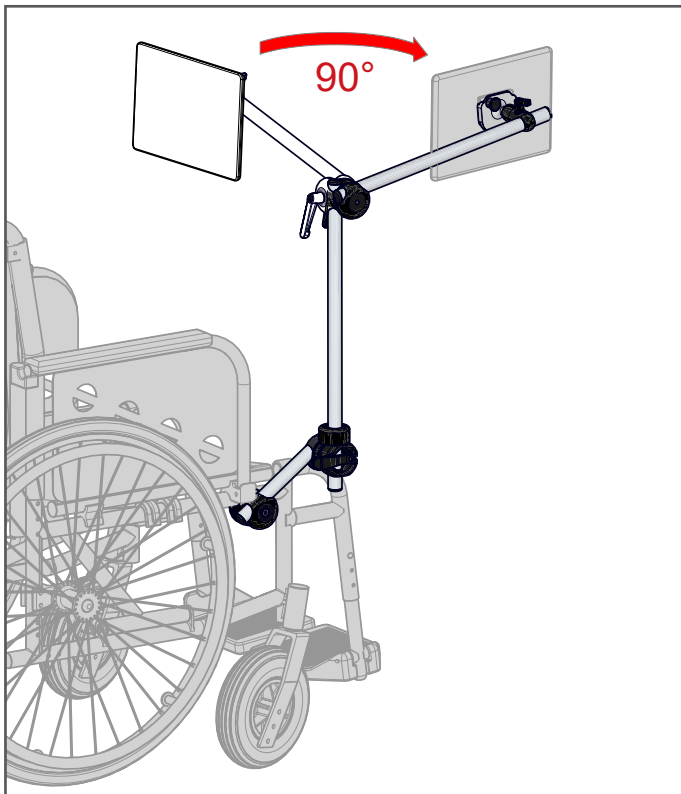
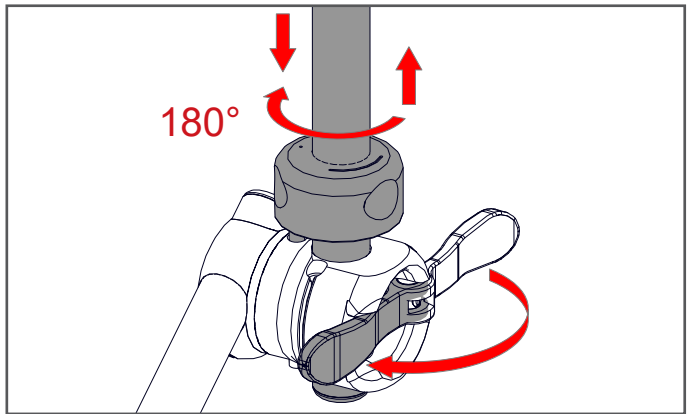
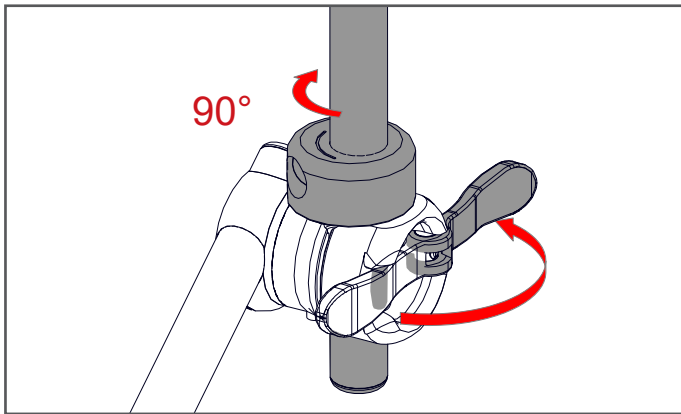


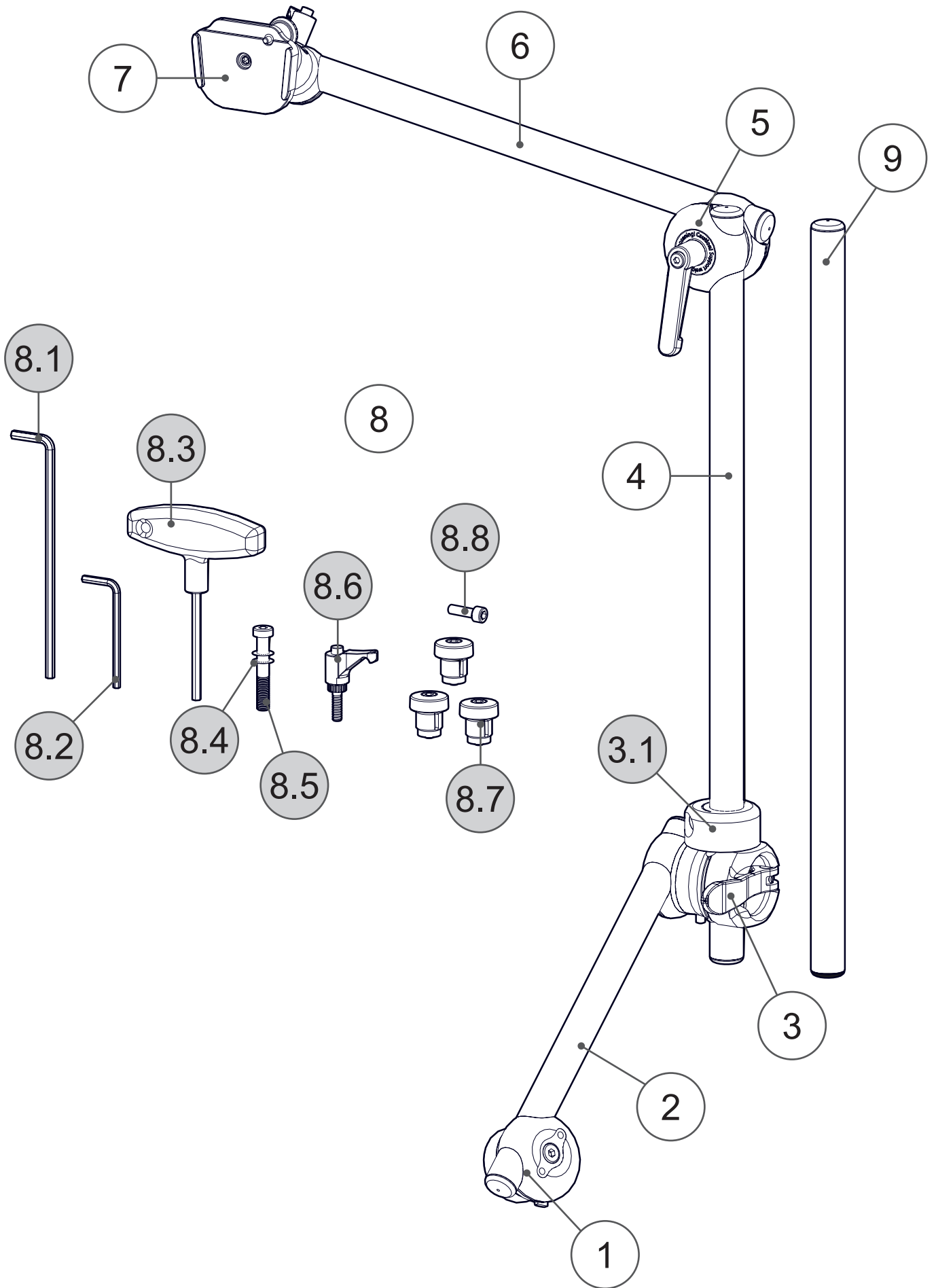




START → EXIT

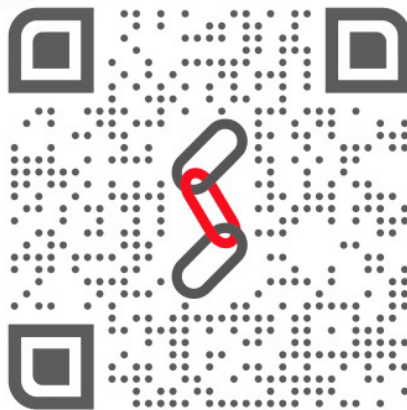
EXIT → PARKING





POS	No.	Bezeichnung	Description
1	11.1080	M3D Rohraufnahme Rotation Lock	M3D Tube Socket Rotation Lock
2	01.5010	Rohr Ø22x300	Tube Ø22x300
3	11.1220	M3D Schwenklager S	M3D Swivel-unit S
3.1	11.1251	M3D Rast-Slot	M3D Indexing-Slot
4	01.5030	Rohr Ø22x500	Tube Ø22x500
5	11.1350	M3D Uni QuickShift	M3D Uni QuickShift
6	01.5020	Rohr Ø22x400	Tube Ø22x400
7	16.1051	UGA-22-DC	UDS-22-DC
8	11.3312BS	Schraubensatz - M3D mit UGA-DC	Set of bolts - M3D with UDS-DC
8.1	01.0008	Innensechskantschlüssel 5mm lang	Allen wrench 5mm long
8.2	01.0029	Innensechskantschlüssel 4mm	Allen wrench 4mm
8.3	01.0027	T-Griff	T-Handle
8.4	01.0310	Passscheibe	Adjusting washer
8.5	01.0850	Zylinderschraube M8x50	Cylinder head bolt M8x50
8.6	01.0025	Klemmhebel M6x20	Clamping lever M6x20
8.7	01.5995	Abrutschsicherung	Slip-out safeguard
8.8	01.0620	Zylinderschraube M6x20	Cylinder head bolt M6x20
9	01.5030	Rohr Ø22x500	Tube Ø22x500





Rehadapt Engineering
GmbH & Co. KG

📄 Heinrich-Hertz-Str. 104
34123 Kassel, Germany

☎ Tel.: +49 561 220 717 0
📠 Fax: +49 561 220 717 99

✉ officeteam@rehadapt.com
🌐 <https://rehadapt.com>



Rehadapt
North America

📄 40 Oser Ave
Hauppauge, NY 11788, USA

☎ Tel.: 1 (888) 635-6962
📠 Fax: 1 (888) 635-6962

✉ officeteam.na@rehadapt.com
🌐 <https://rehadapt.com>