

M3D

H3D

L3D

2021-01-18

00.5147~A

Monty 3D

- 11.3211 Monty 3D QuickShift
- 11.3211CM Custom Monty 3D QuickShift
- 11.3311 Monty 3D QuickShift Sturdy
- 11.3311CM Custom Monty 3D QuickShift Sturdy

Sicherheitshinweise
Safety Instructions

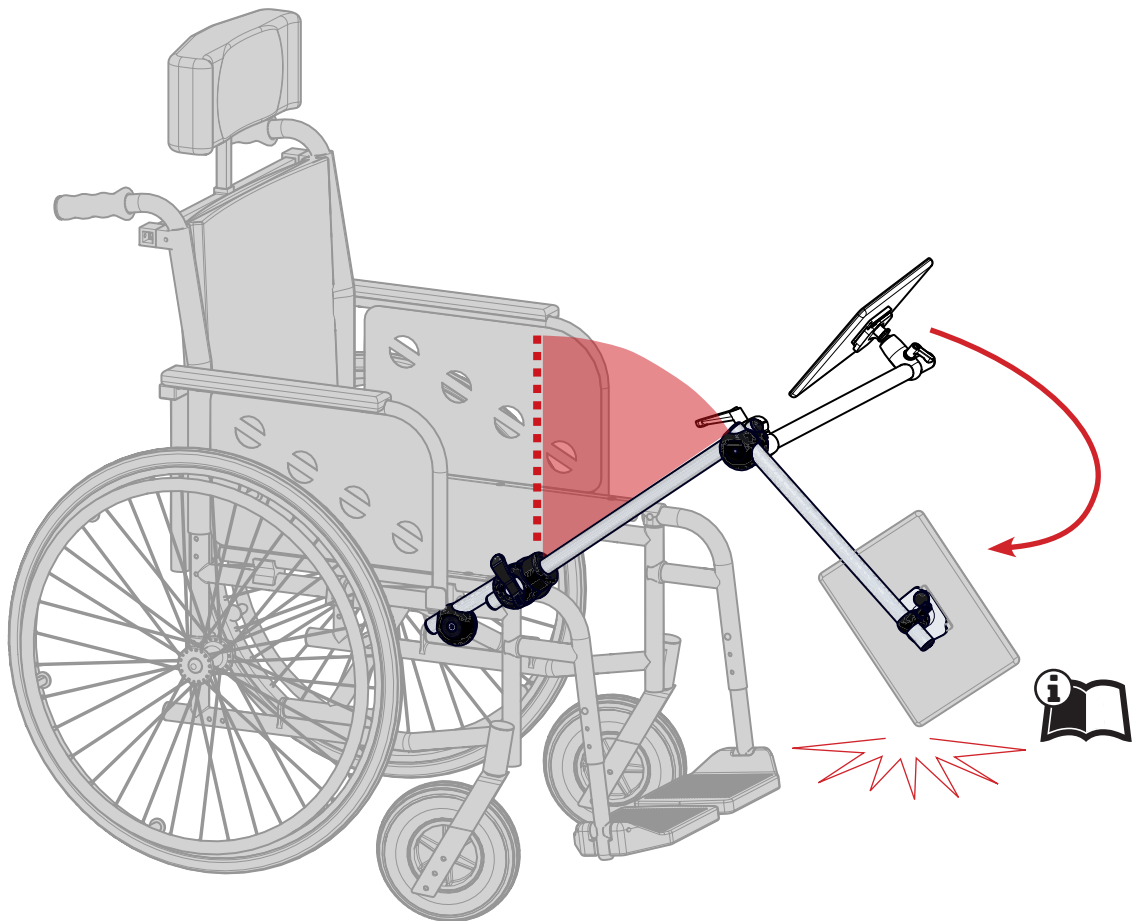
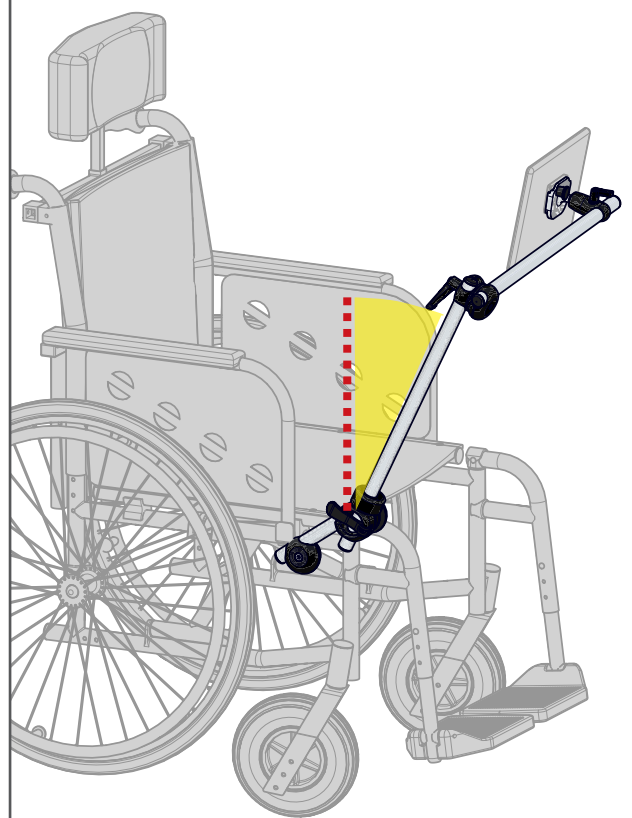
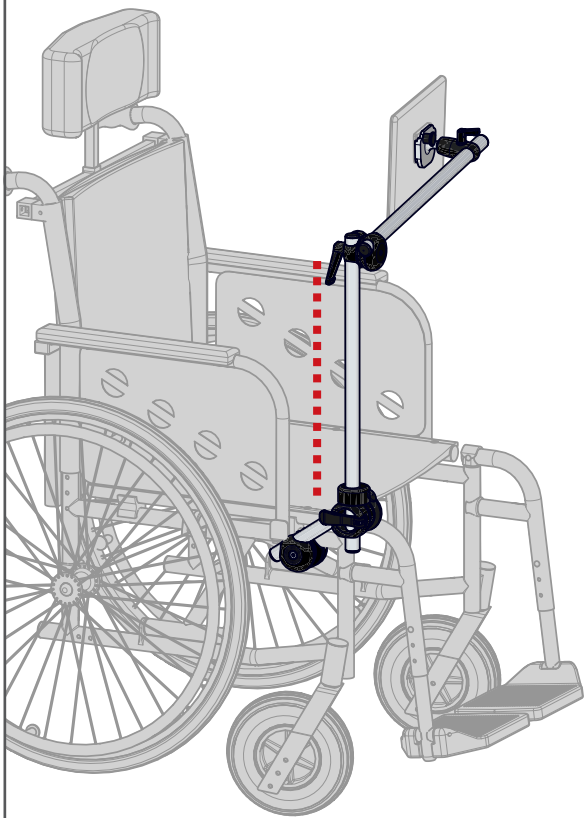


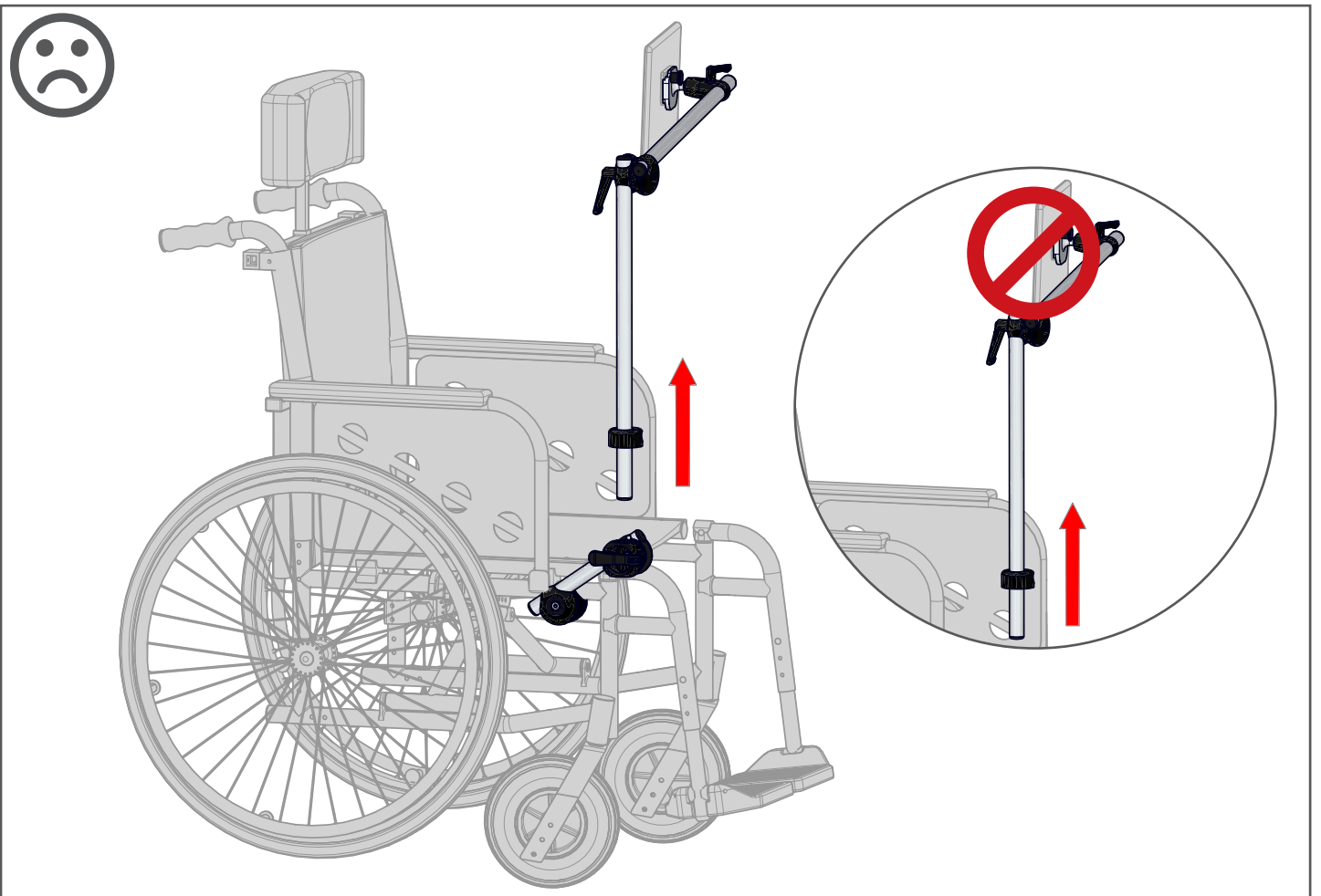
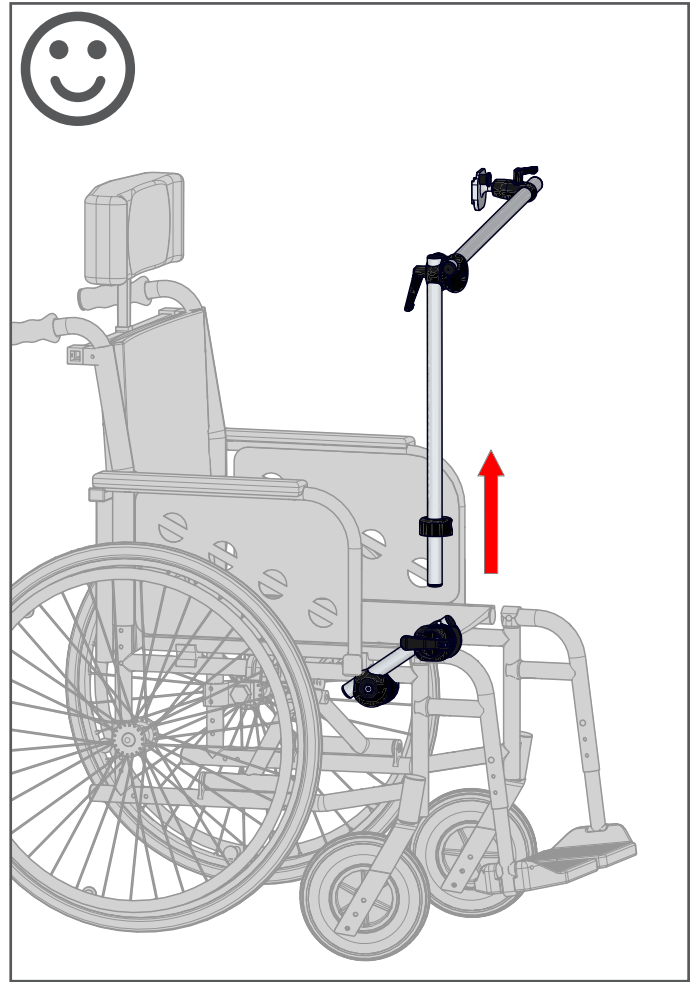
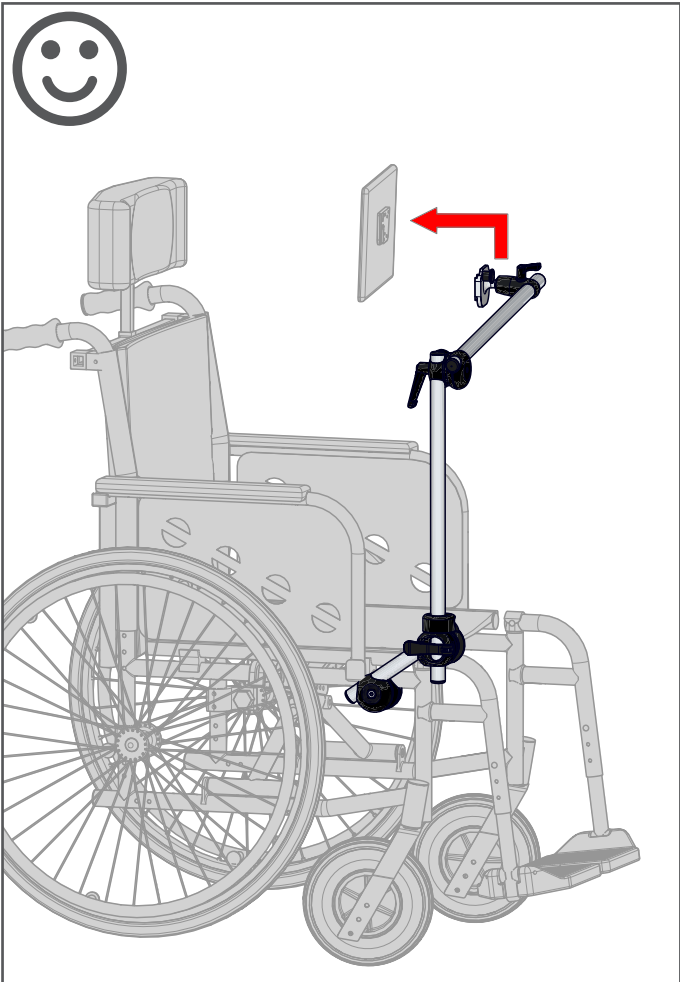
Montage
Assembly Instructions

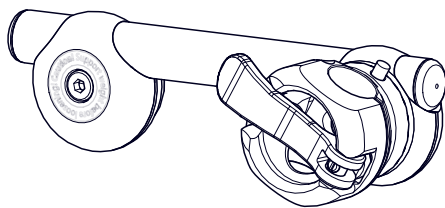
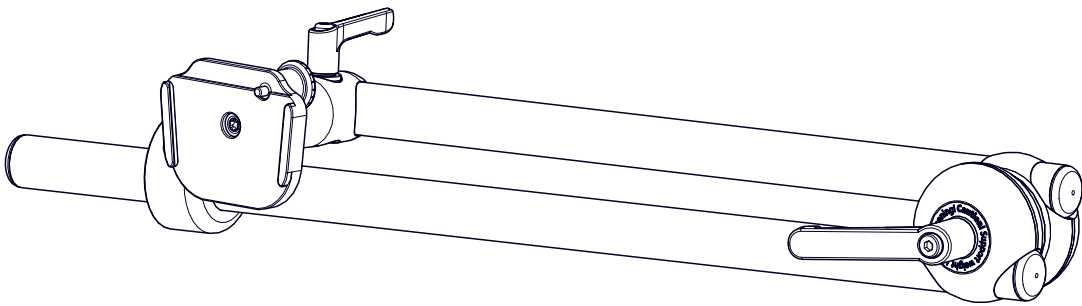
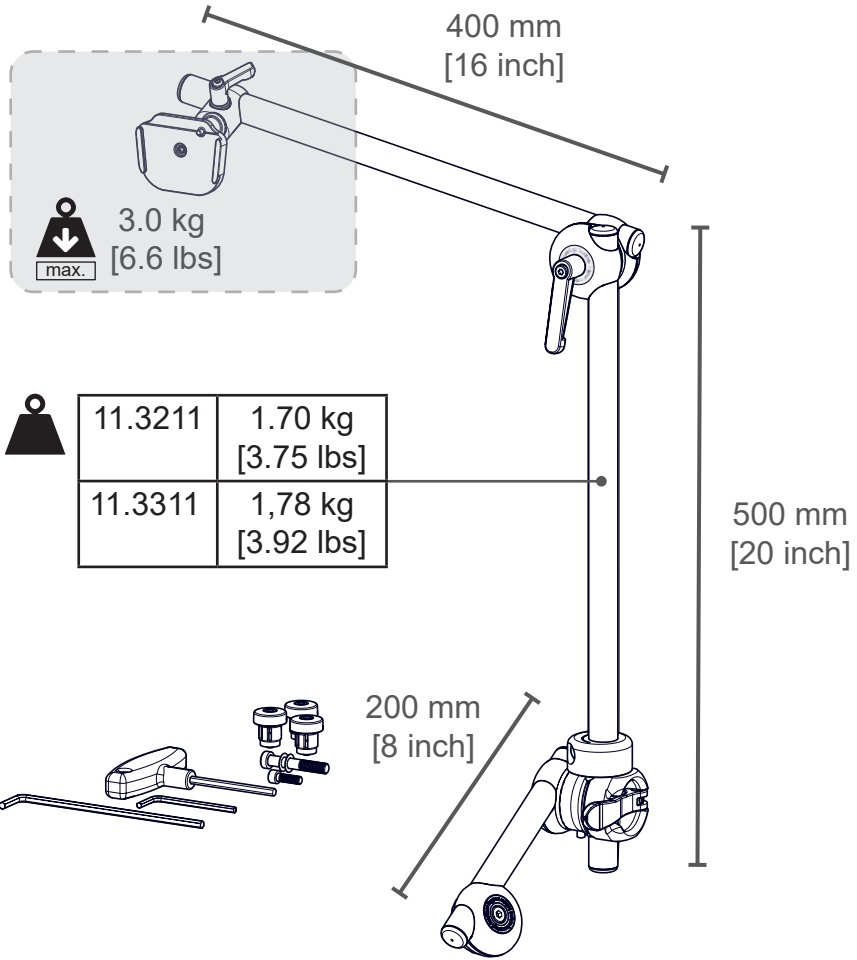


Handhabung
Handling









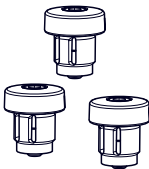
2x
01.0310



1x
01.0850



1x
01.0620



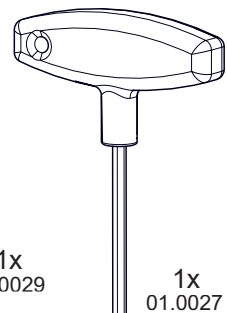
3x
01.5995



1x
01.0008

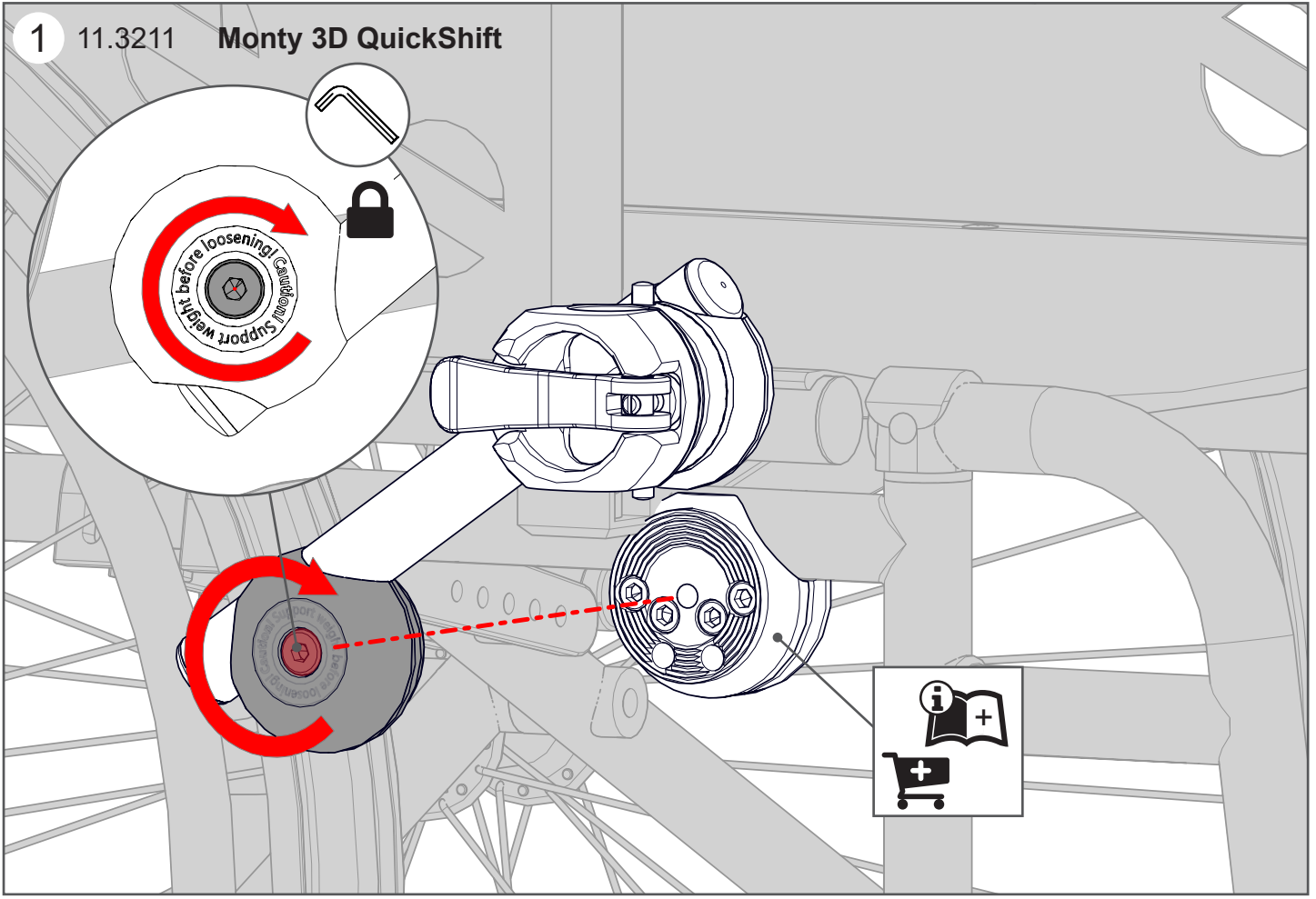


1x
01.0029

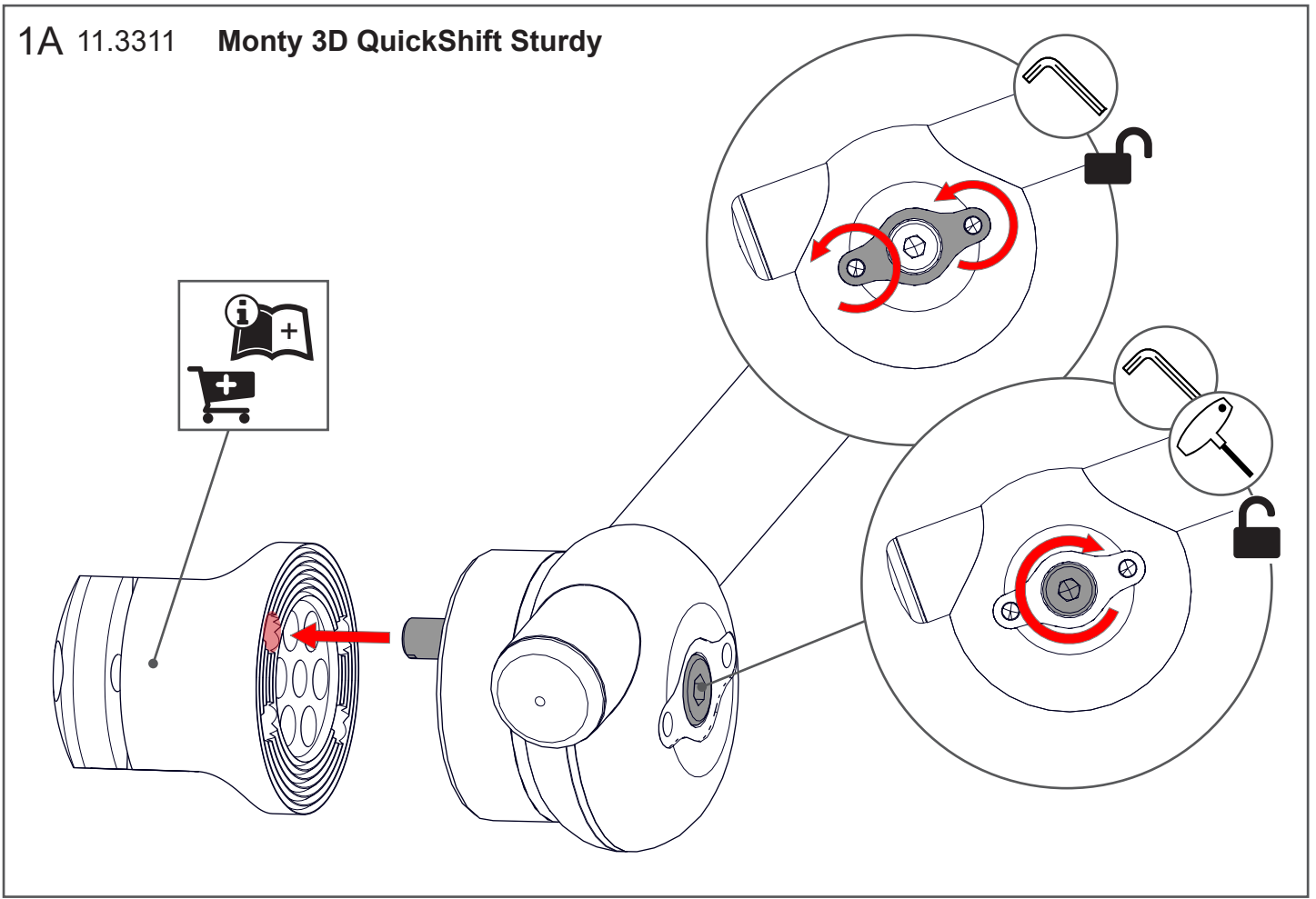


1x
01.0027

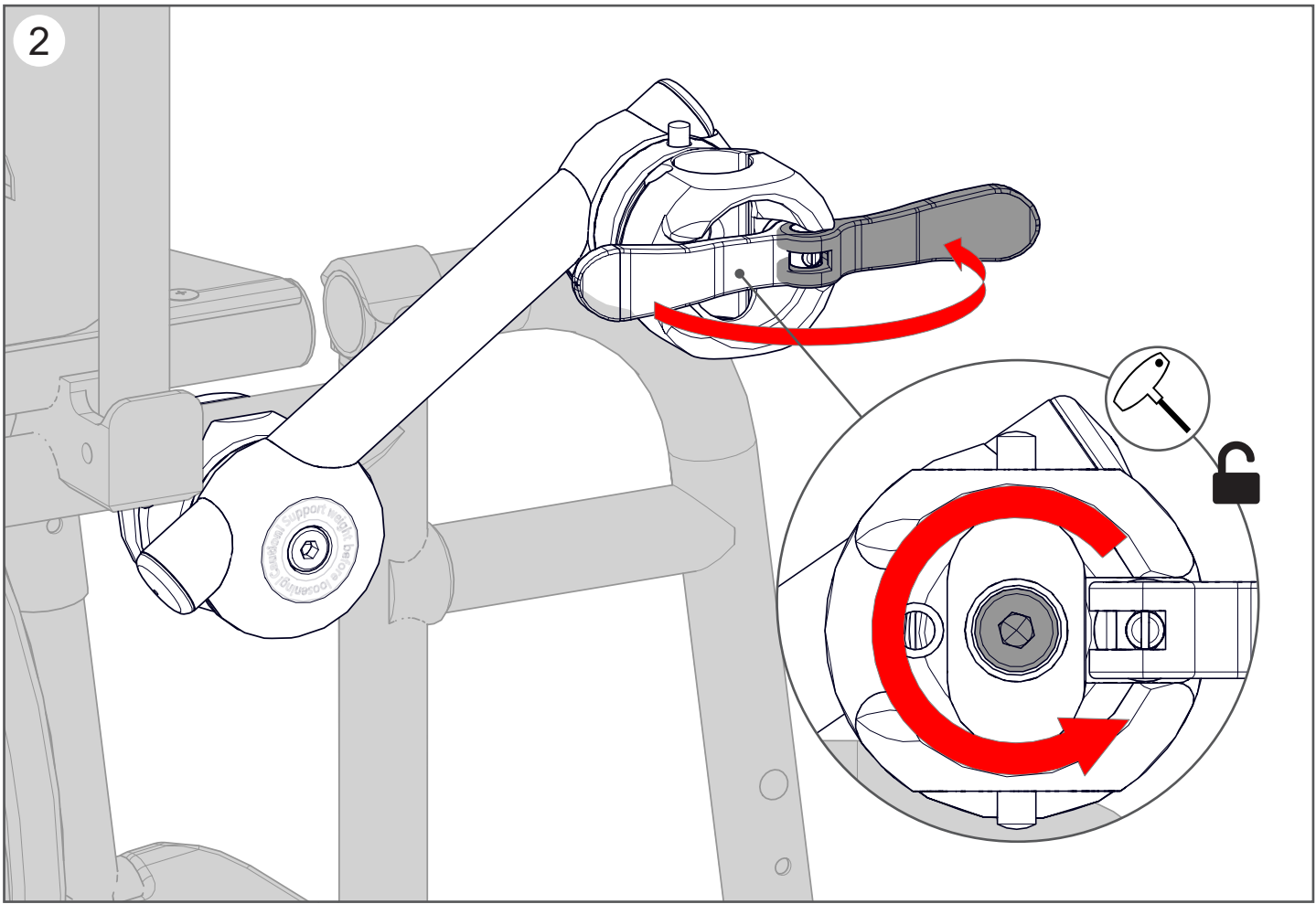
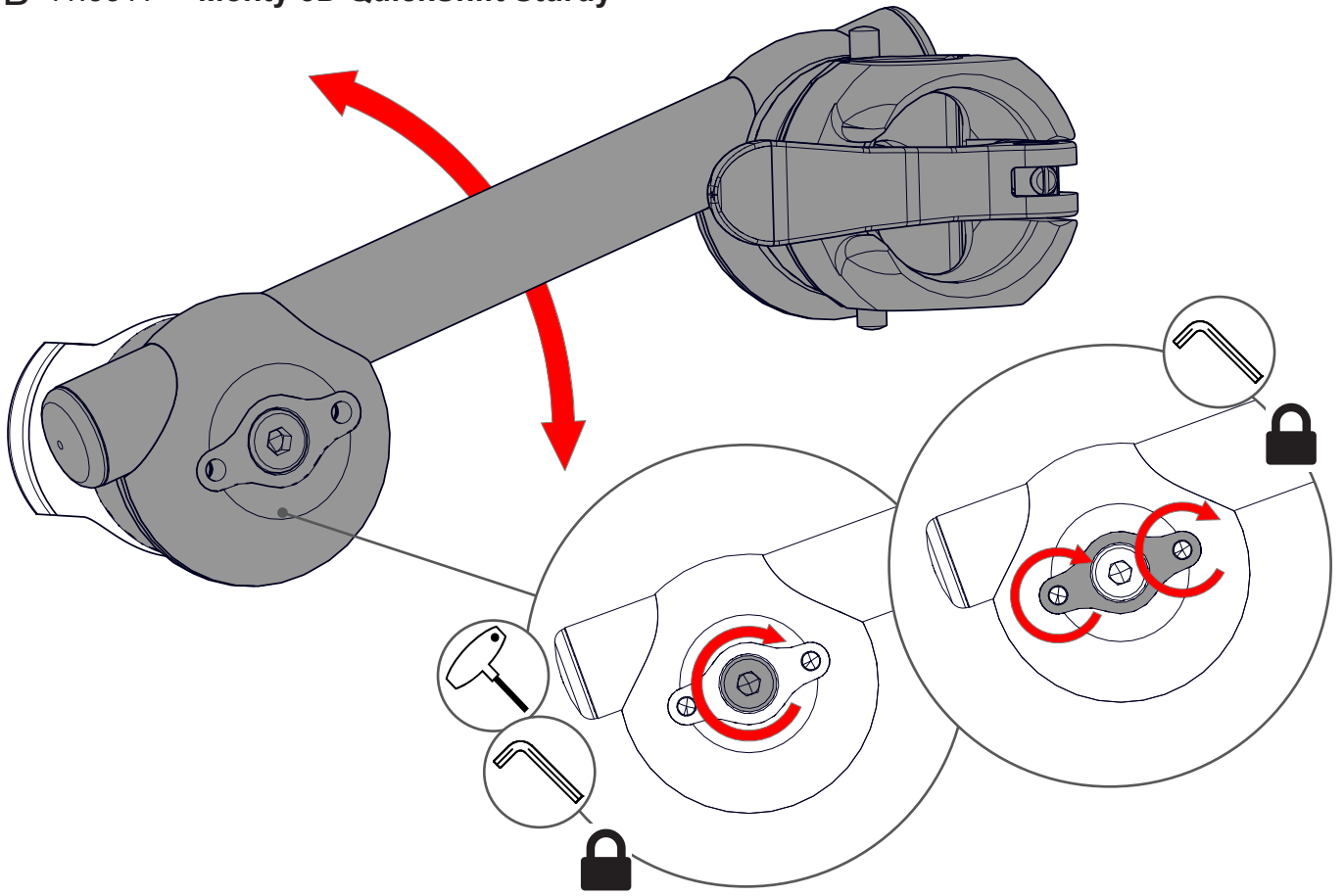
1 11.3211 Monty 3D QuickShift



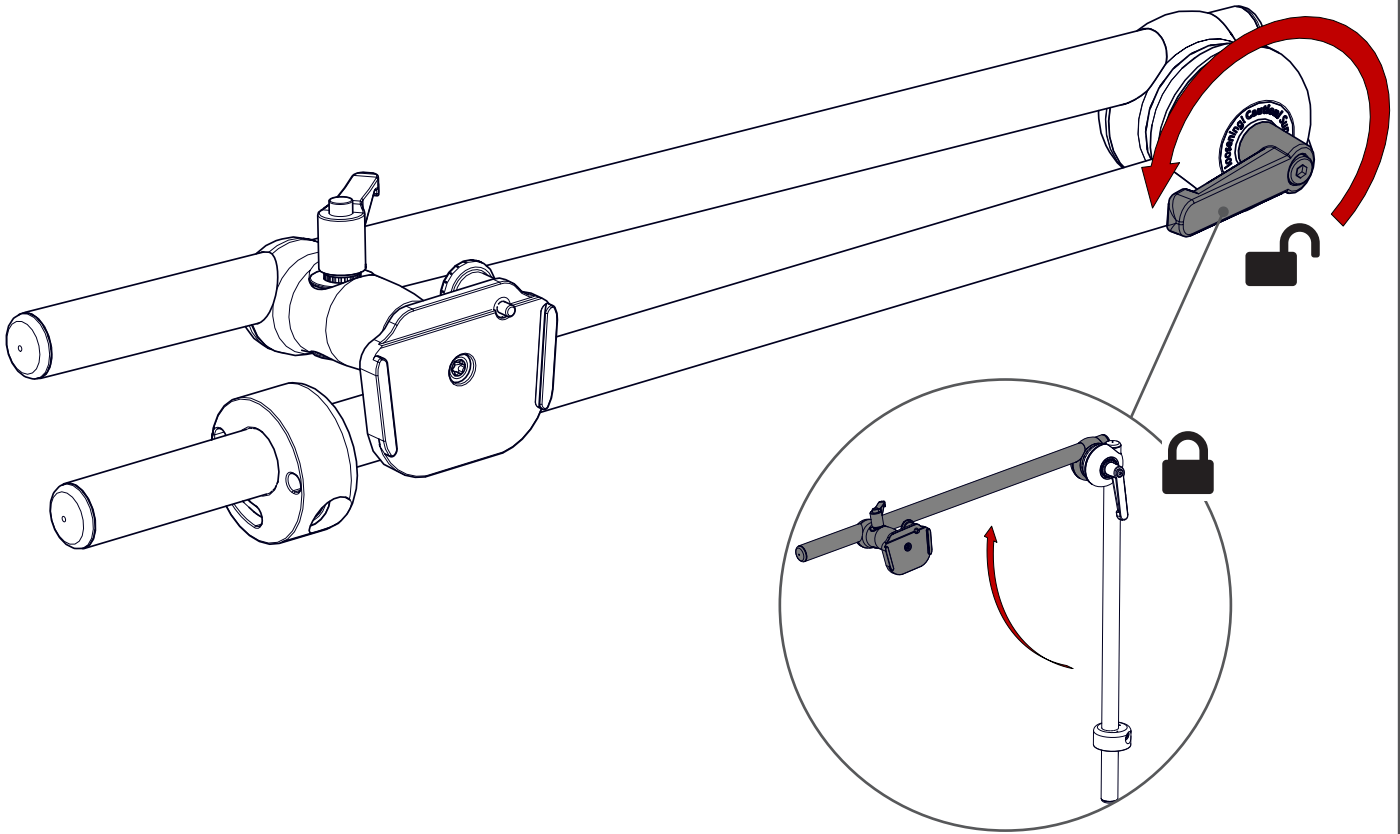
1A 11.3311 Monty 3D QuickShift Sturdy



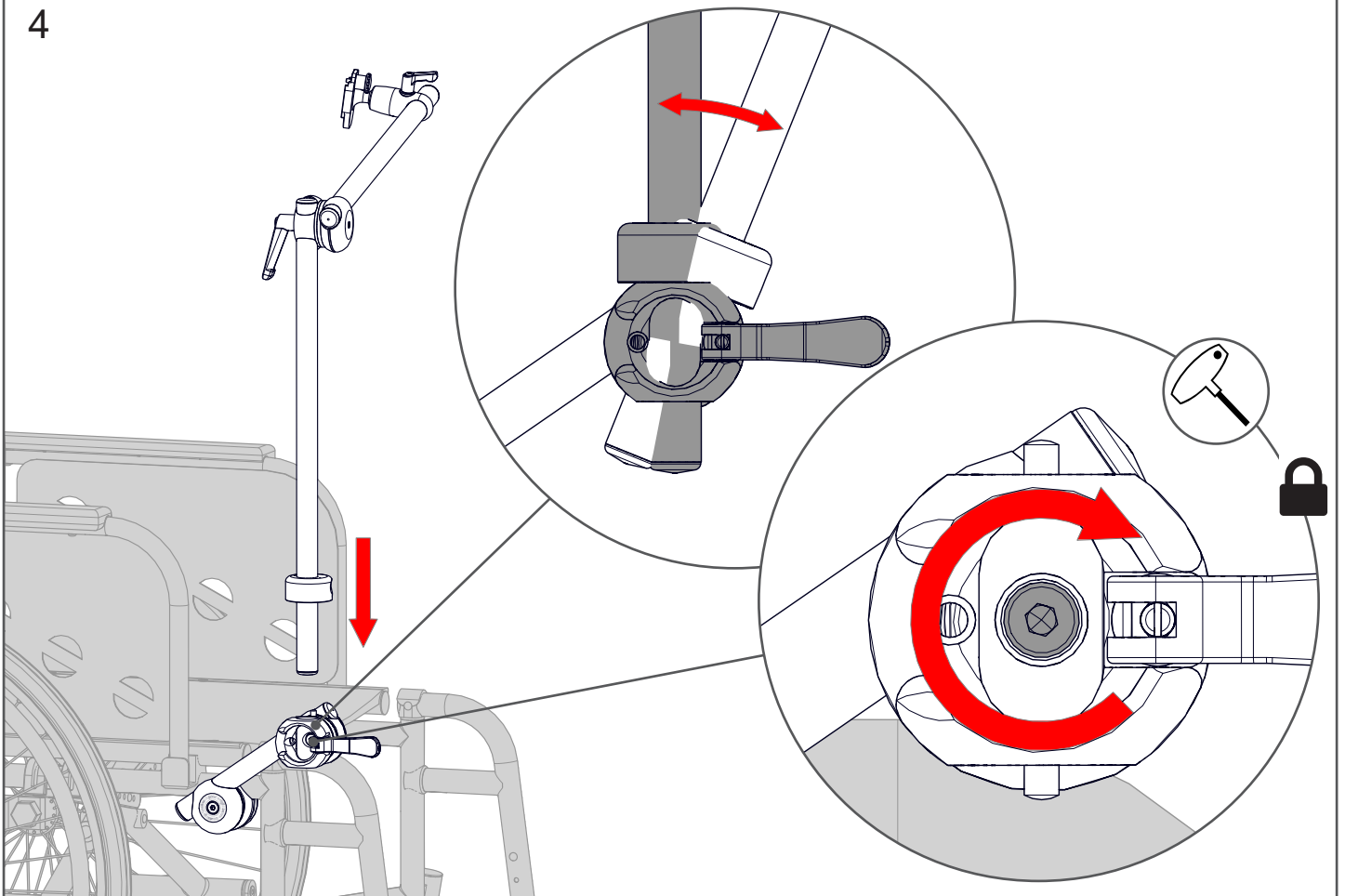
1B 11.3311 Monty 3D QuickShift Sturdy



3

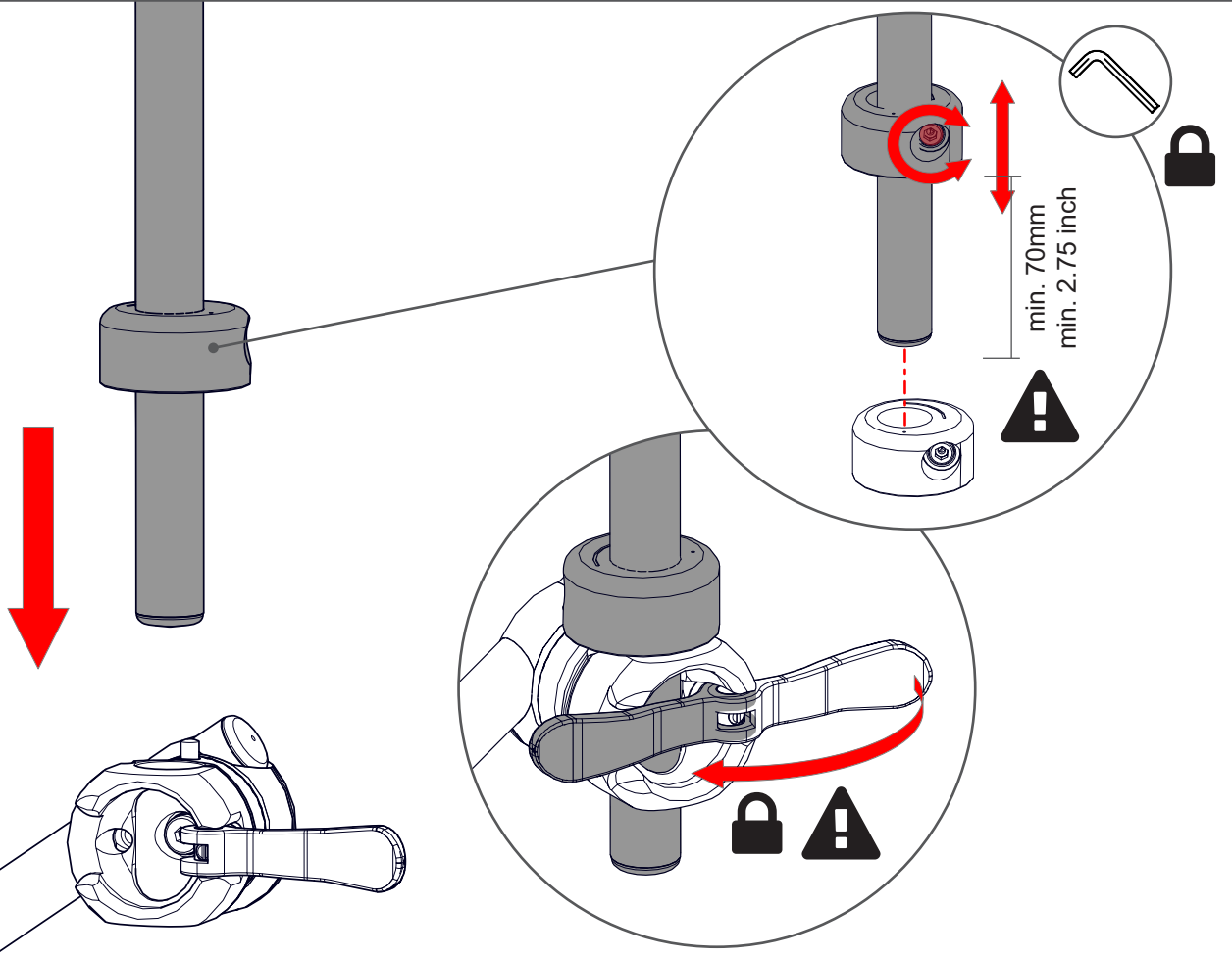


4

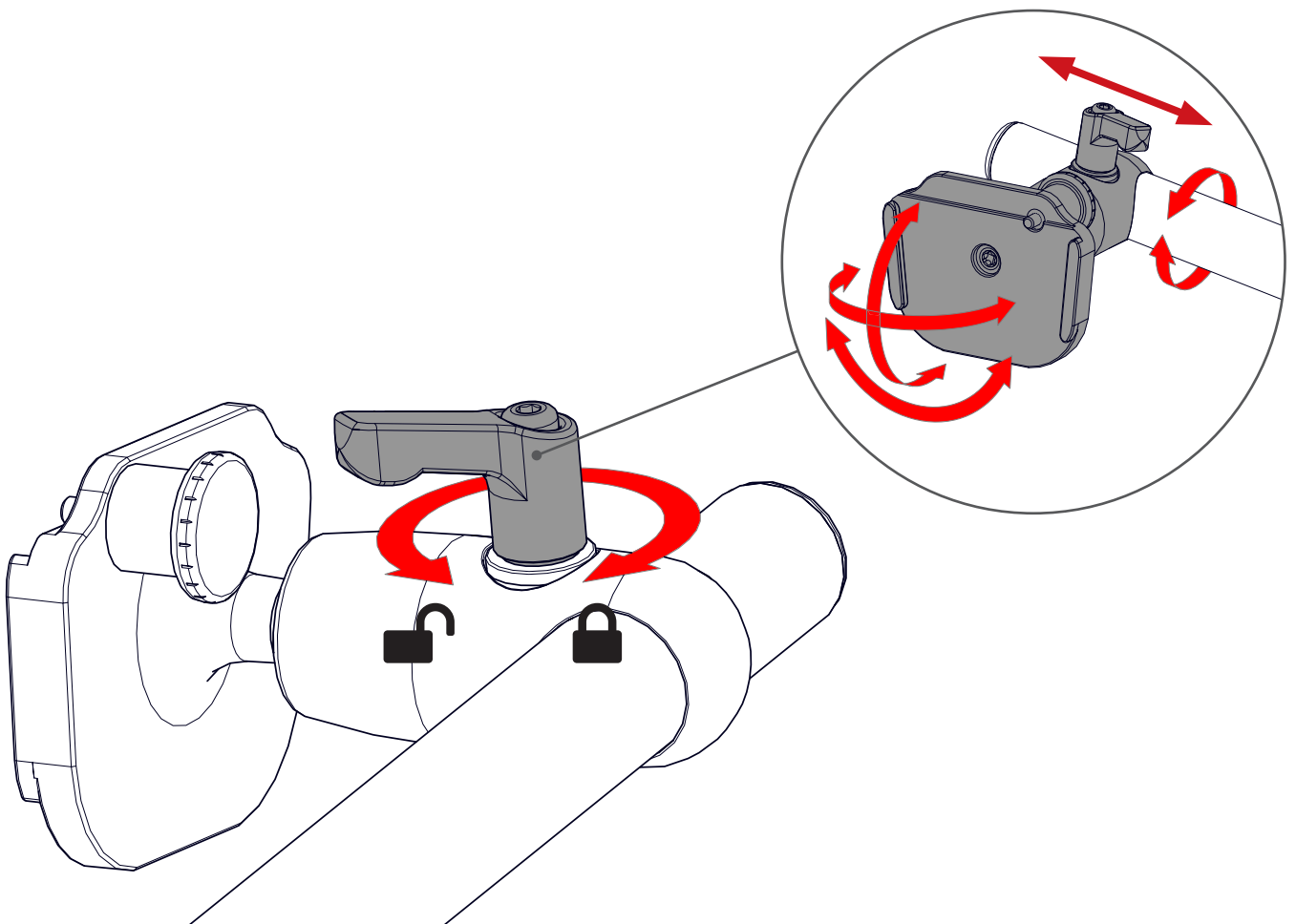


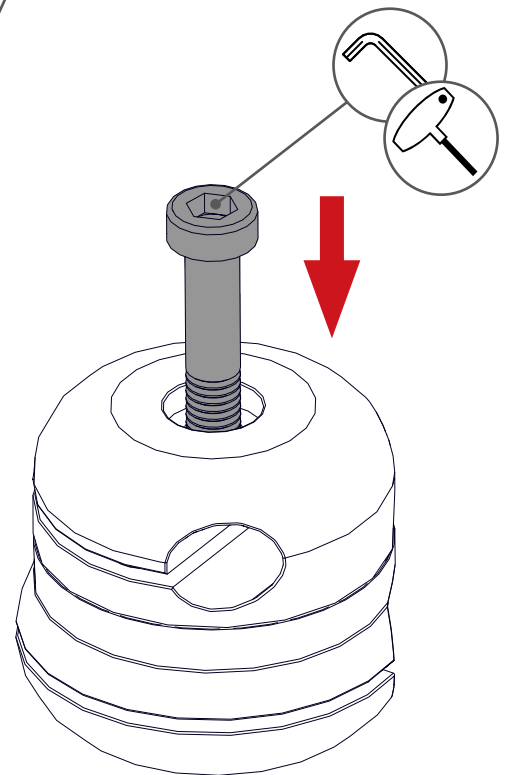
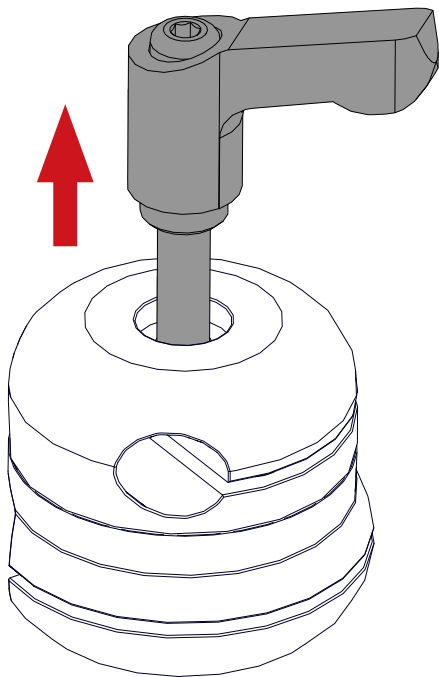
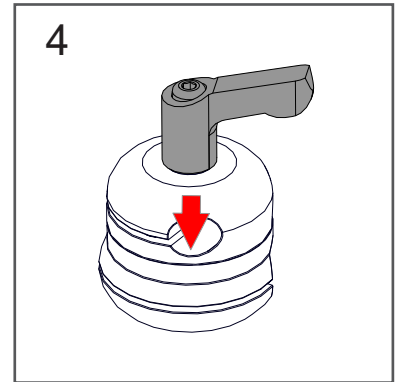
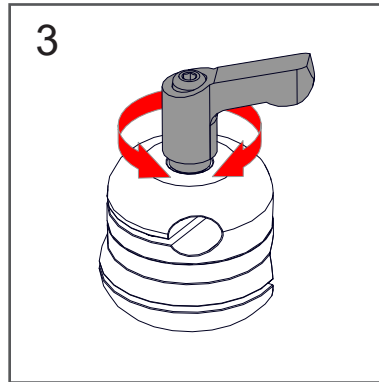
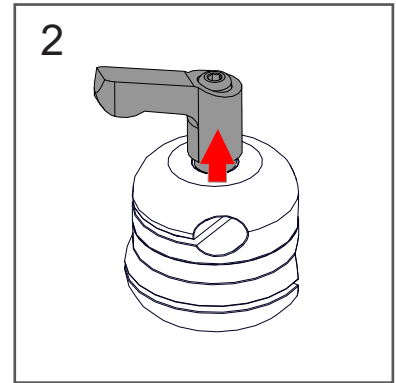
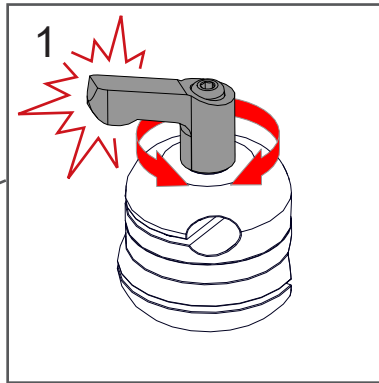
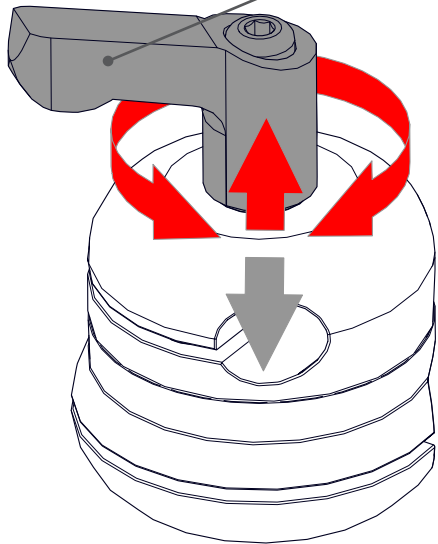
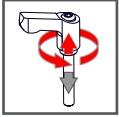


5



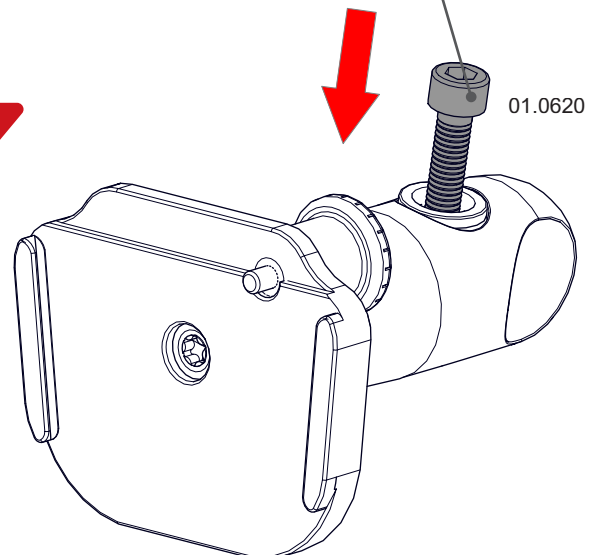
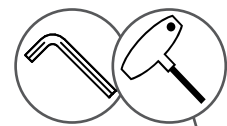
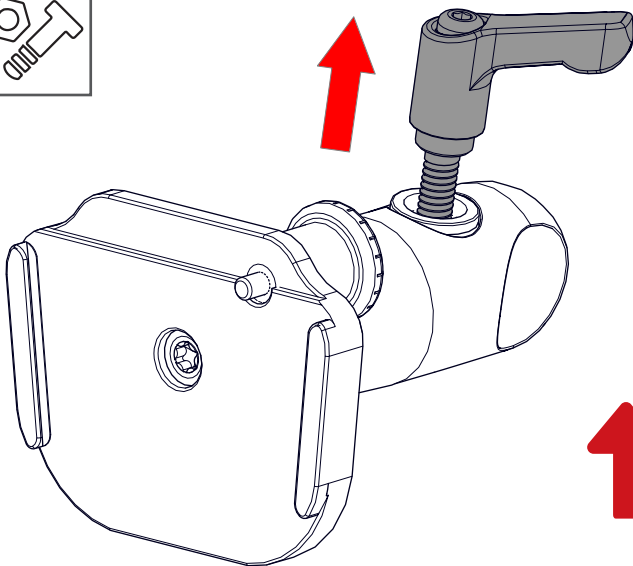
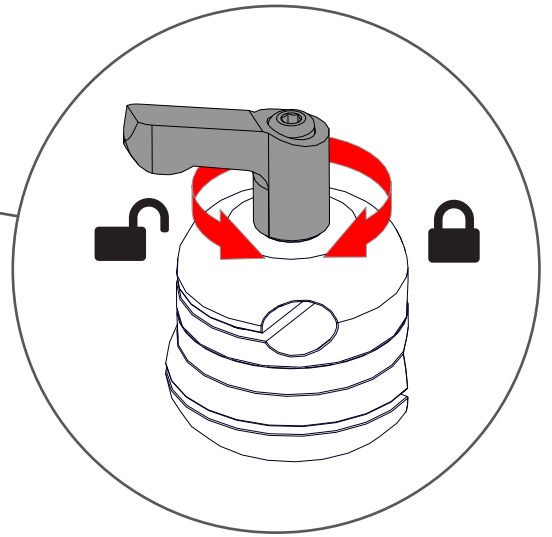
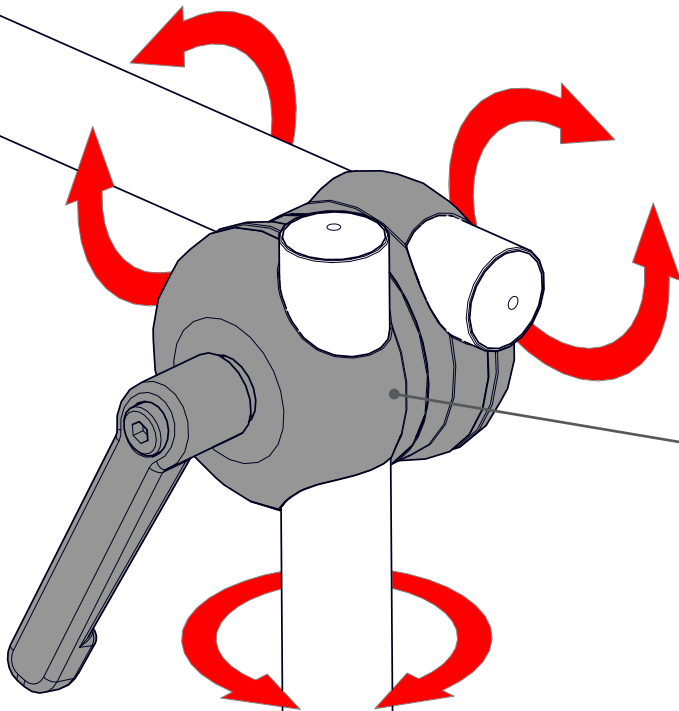
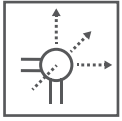
6

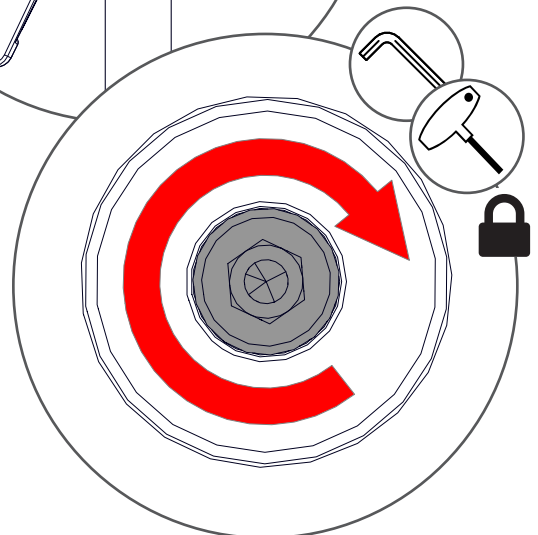
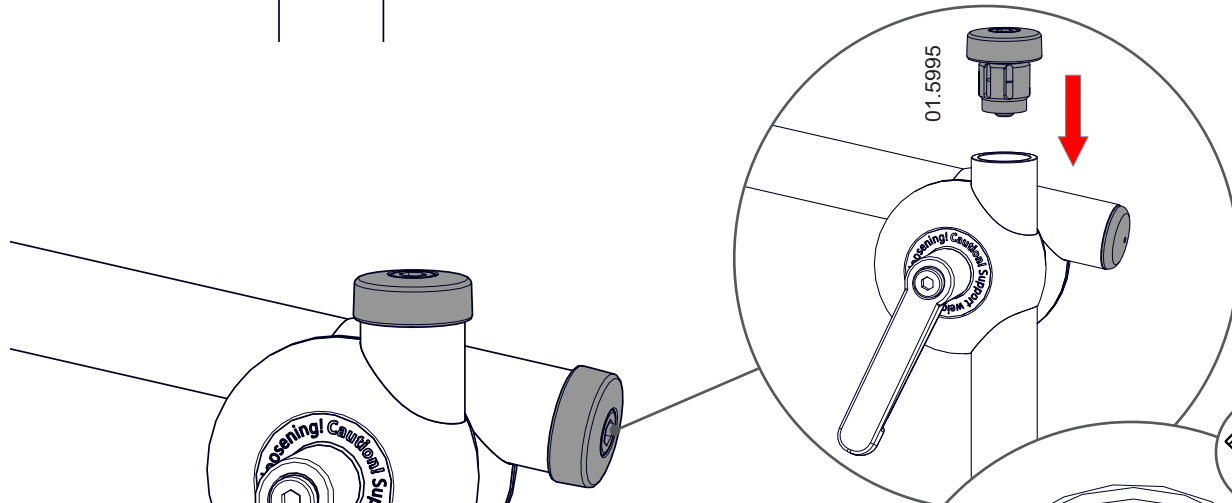
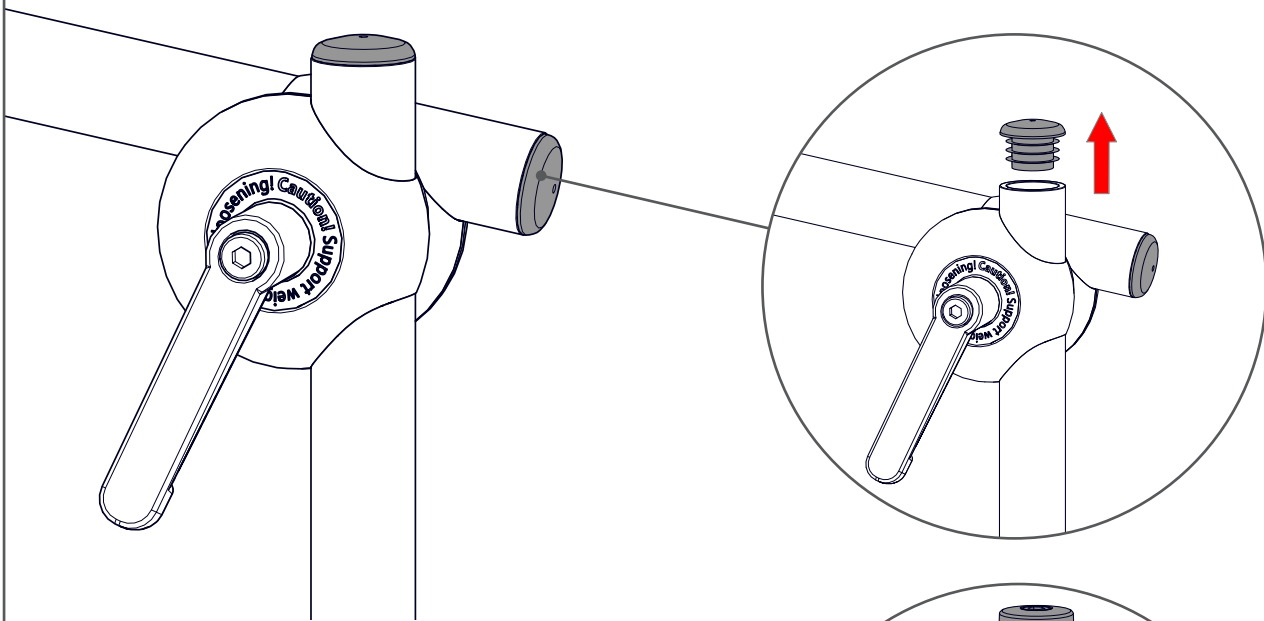
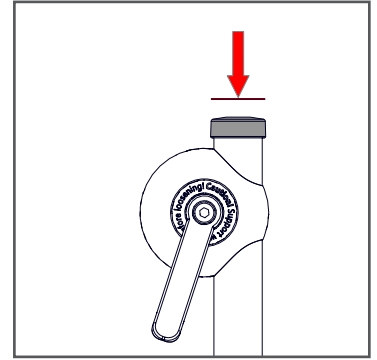
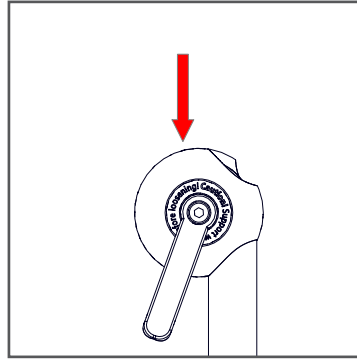


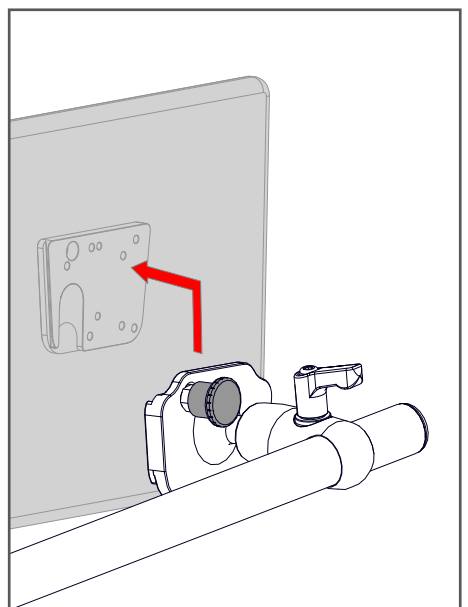
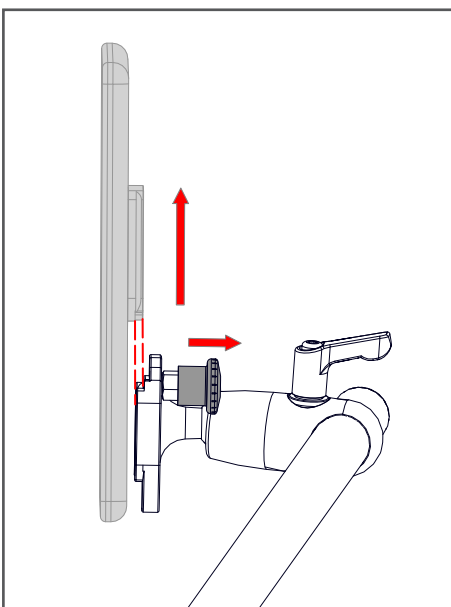
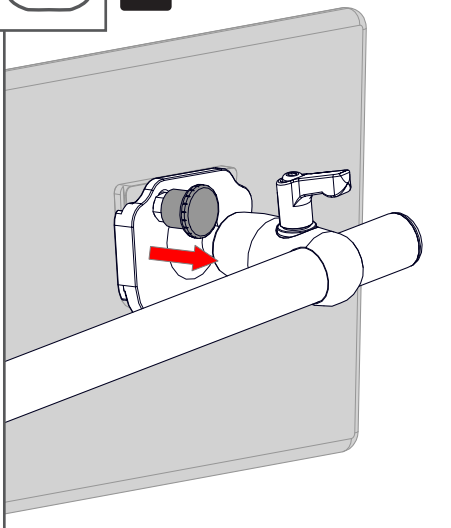
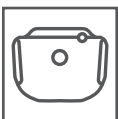
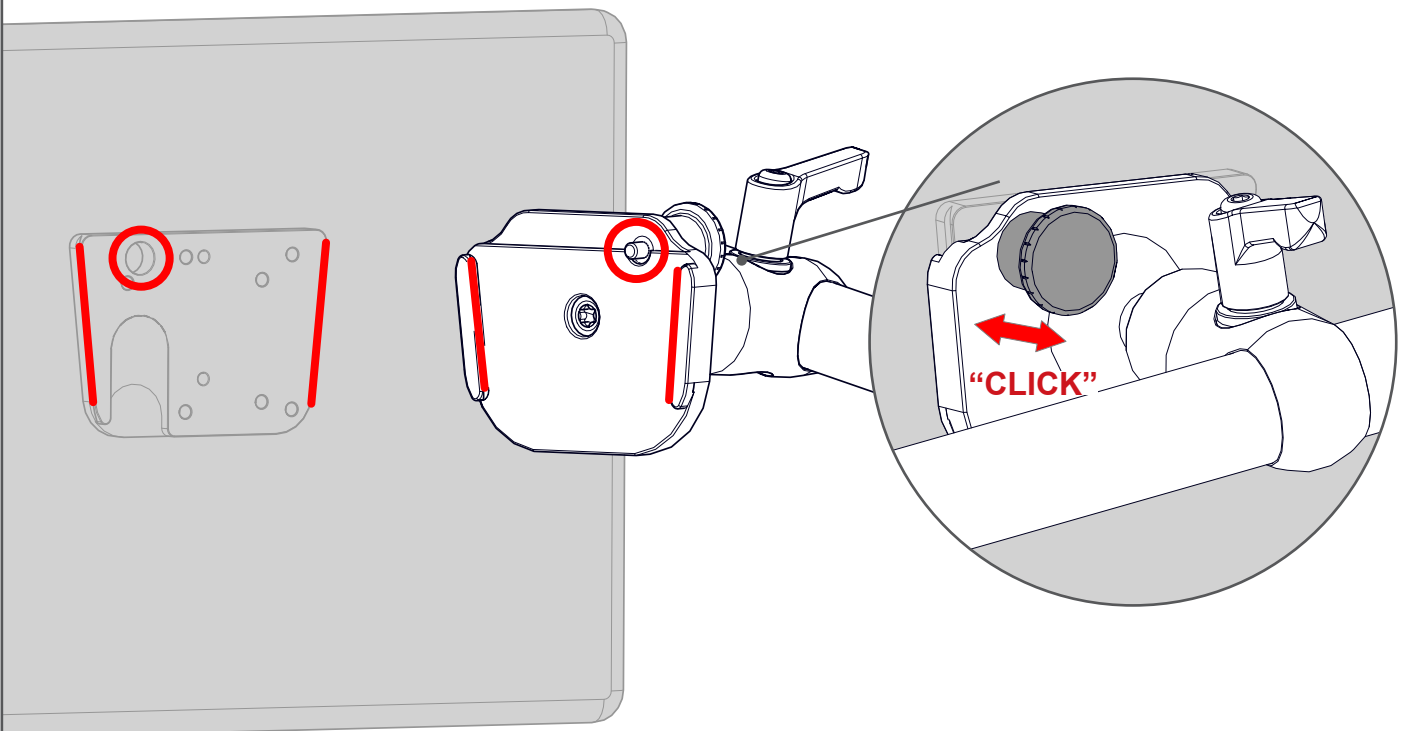
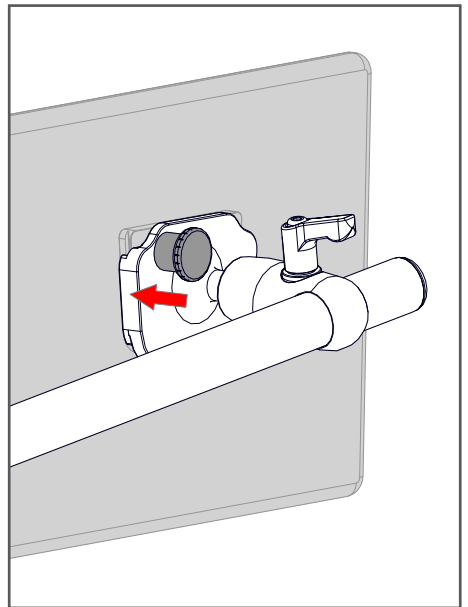
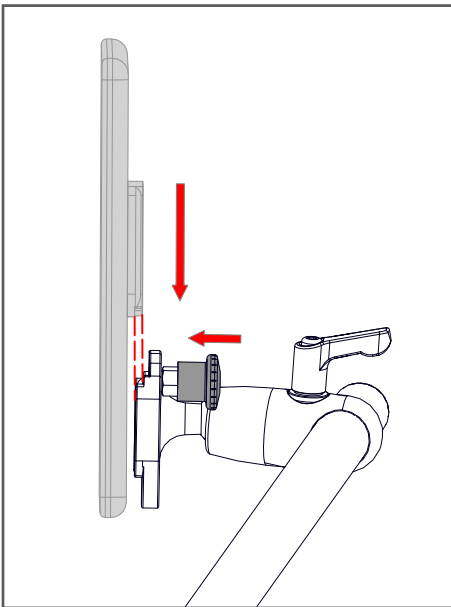
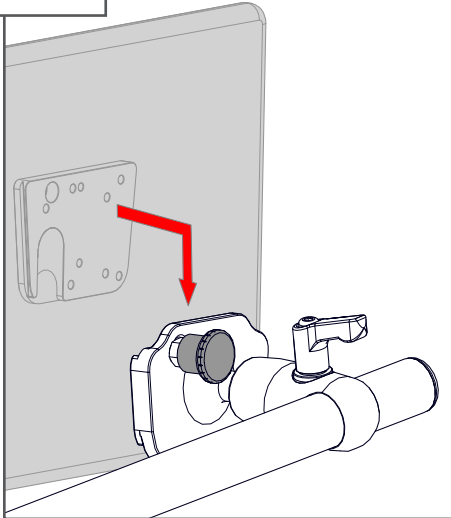


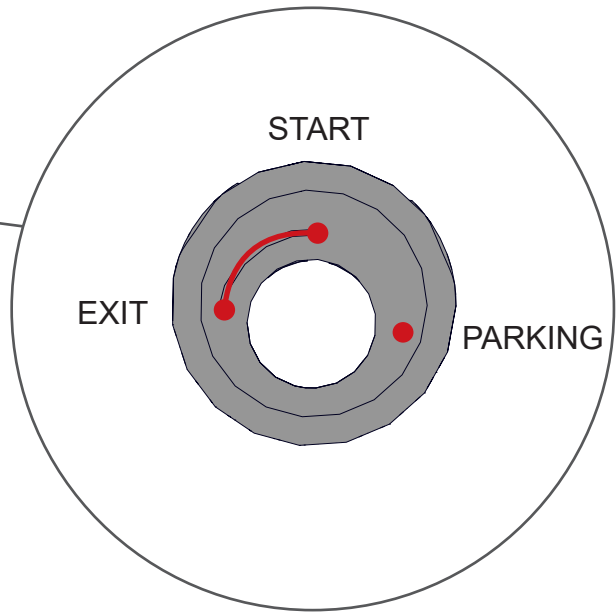
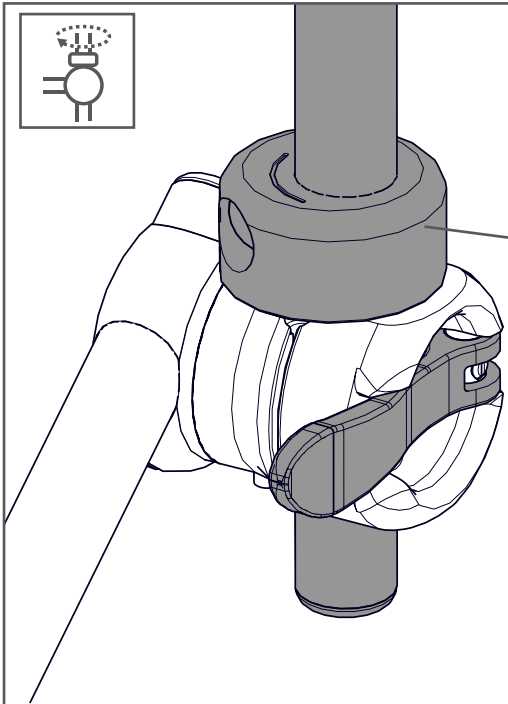
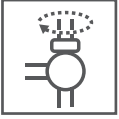
22-22

01.0850



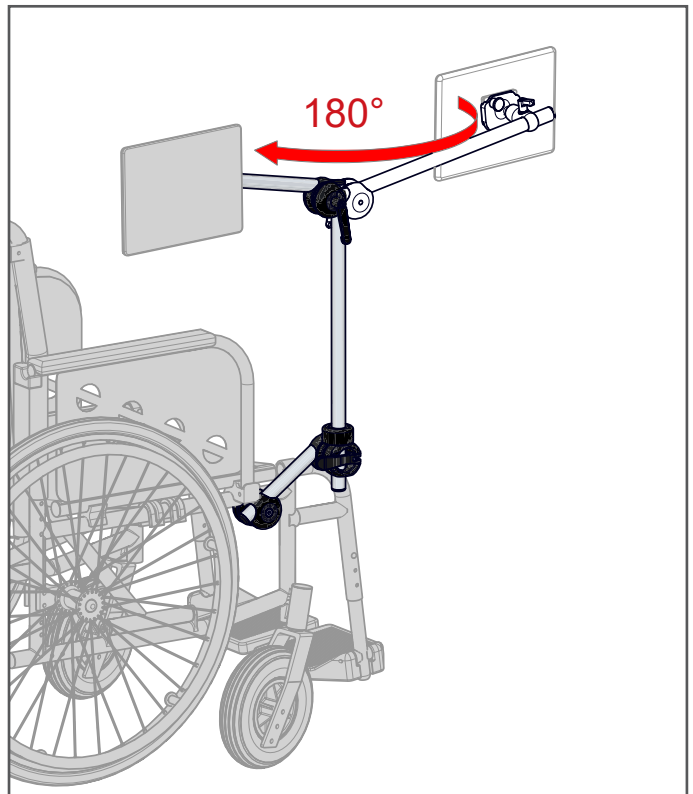
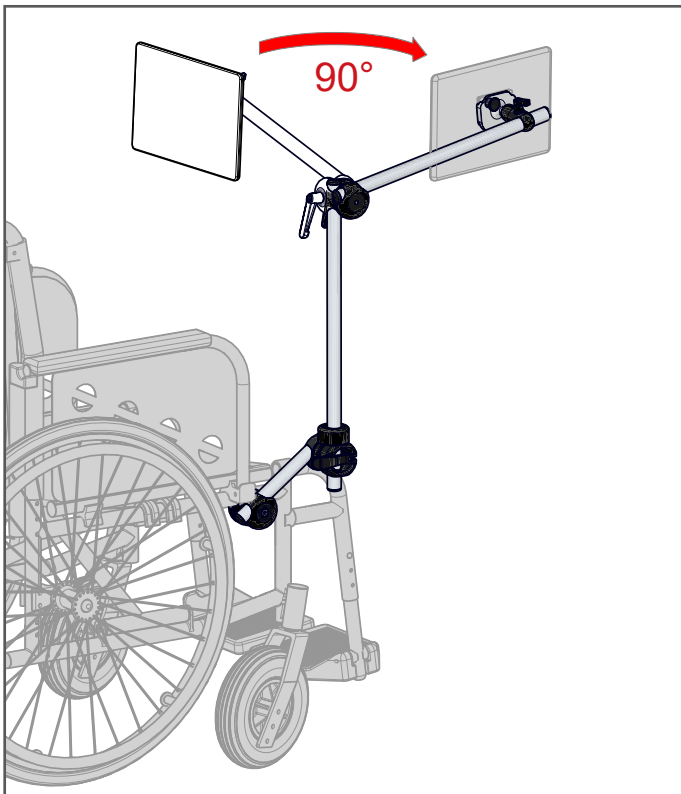
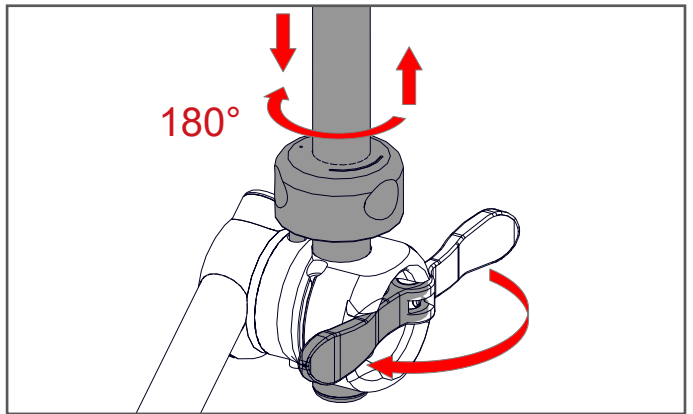
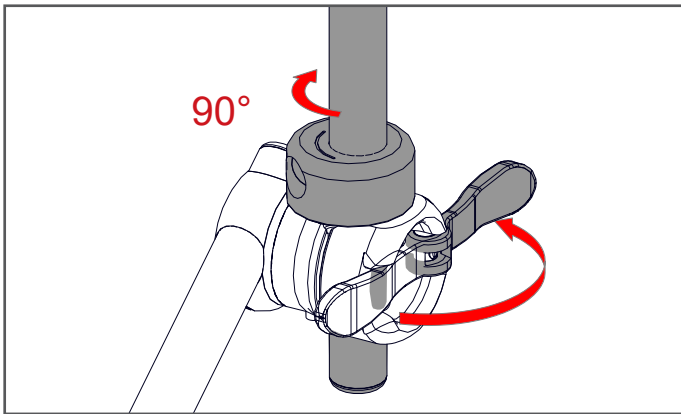


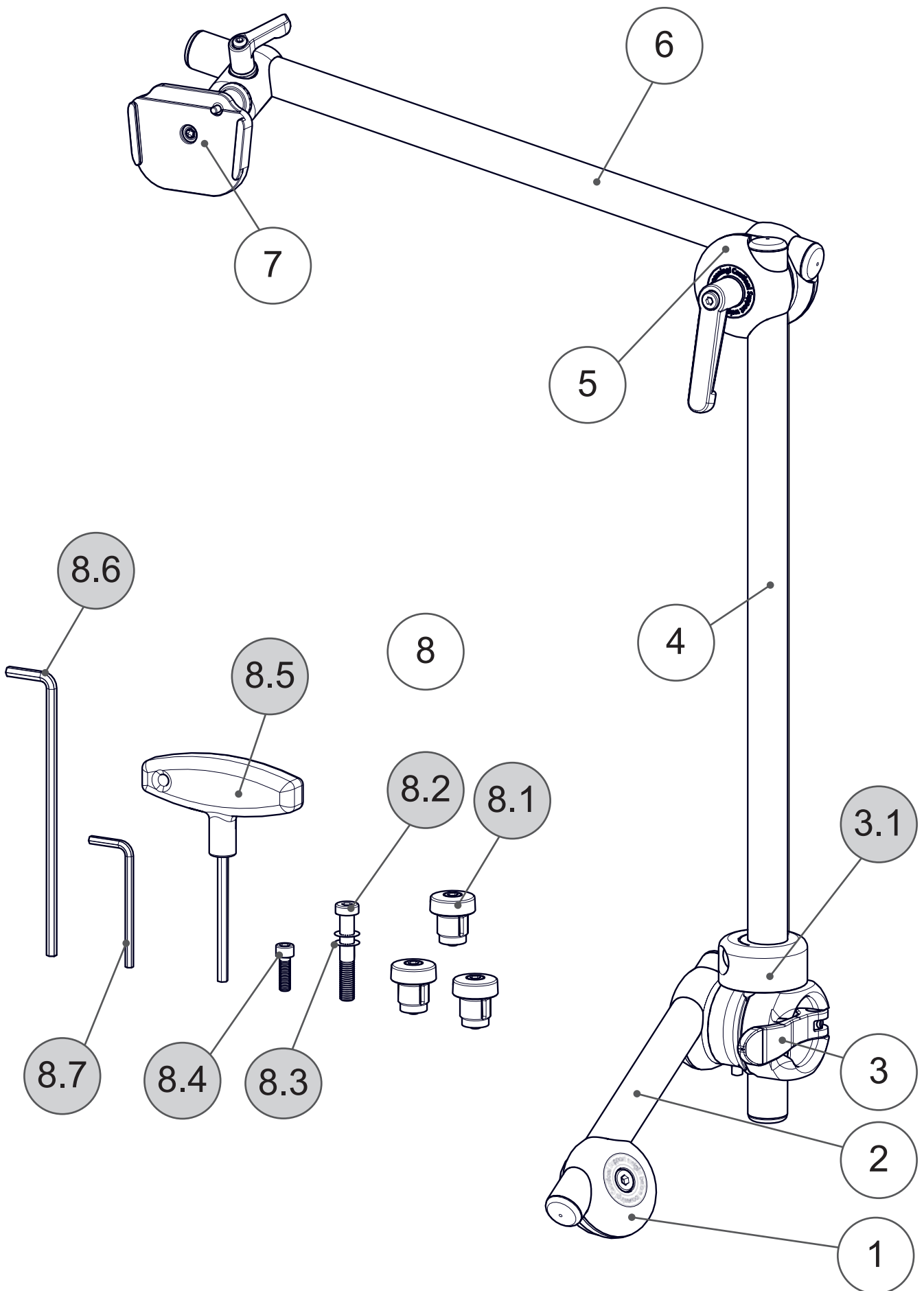




START → EXIT

EXIT → PARKING



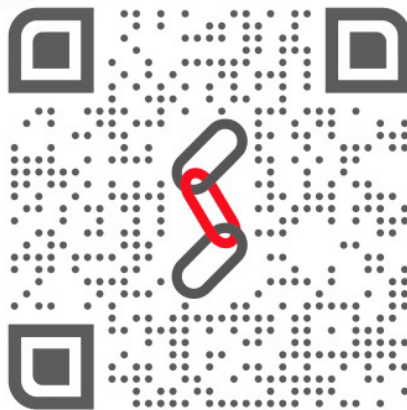


Pos.	Artikel-No.	Bezeichnung	Description
1*	11.1080*	M3D Rohraufnahme Rotation Lock	M3D Tube Socket Rotation Lock
1**	11.1102**	M3D Rohraufnahme	M3D Tube Socket
2	01.5005	Rohr Ø22x200	Tube Ø22x200
3	11.1220	M3D Schwenklager S	M3D Swivel-Joint S
3.1	11.1251	M3D Rast-Slot	M3D Indexing-Slot
4	01.5040	Rohr Ø22x500	Tube Ø22x500
5	11.1350	M3D Uni QuickShift	M3D Uni QuickShift
6	01.5030	Rohr Ø22x400	Tube Ø22x400
7	16.1050	UGA-22 QuickShift	UDS-22 QuickShift
8	11.3211BS	Schraubensatz - M3D mit UGA-QS	Set of Bolts - M3D with UDS-QS
8.1	01.5995	Abrutschsicherung	Slip-out safeguard
8.2	01.0850	Zylinderschraube M8x50	Cylinder Head Bolt M8x50
8.3	01.0310	Passscheibe	Adjusting washer
8.4	01.0620	Zylinderschraube M6x20	Cylinder Head Bolt M6x20
8.5	01.0027	T-Griff	T-Handle
8.6	01.0008	Innensechskantschlüssel 5mm	Allen wrench 5mm
8.7	01.0029	Innensechskantschlüsse 4mm	Allen wrench 4mm

* 11.3311 **Monty 3D QuickShift Sturdy**

** 11.3211 **Monty 3D QuickShift**





Rehadapt Engineering
GmbH & Co. KG

📄 Heinrich-Hertz-Str. 104
34123 Kassel, Germany

☎ Tel.: +49 561 220 717 0
📠 Fax: +49 561 220 717 99

✉ officeteam@rehadapt.com
🌐 <https://rehadapt.com>



Rehadapt
North America

📄 40 Oser Ave
Hauppauge, NY 11788, USA

☎ Tel.: 1 (888) 635-6962
📠 Fax: 1 (888) 635-6962

✉ officeteam.na@rehadapt.com
🌐 <https://rehadapt.com>