



Light 3D

- 14.2015 **Light 3D TT SLS**
- 14.2015CM **Custom Light 3D TT SLS**

Sicherheitshinweise
Safety Instructions



Montage
Assembly Instructions



Handhabung
Handling



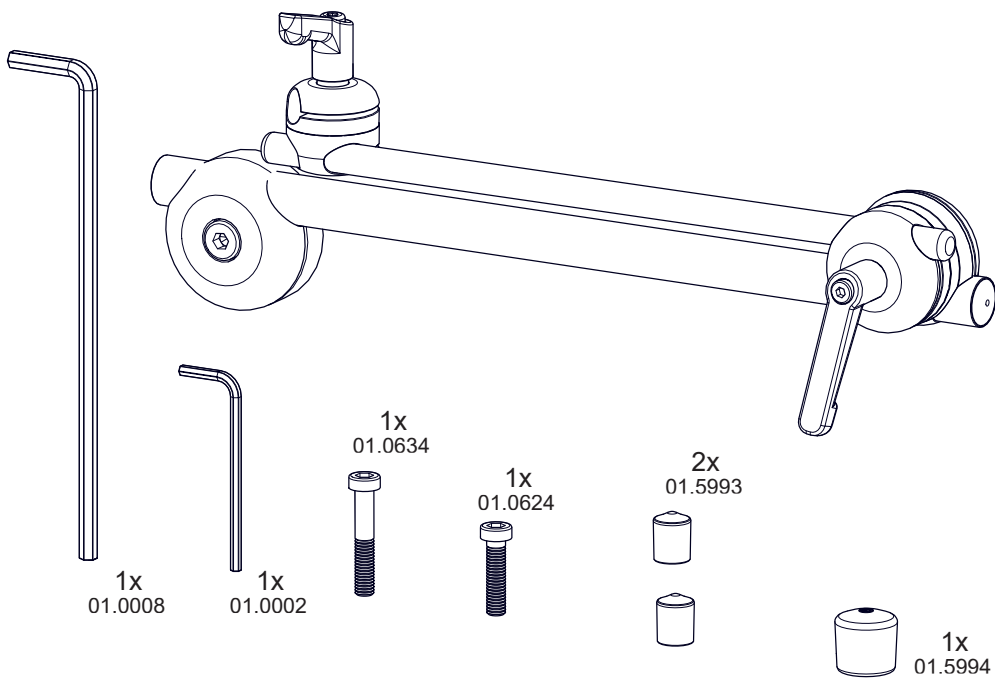
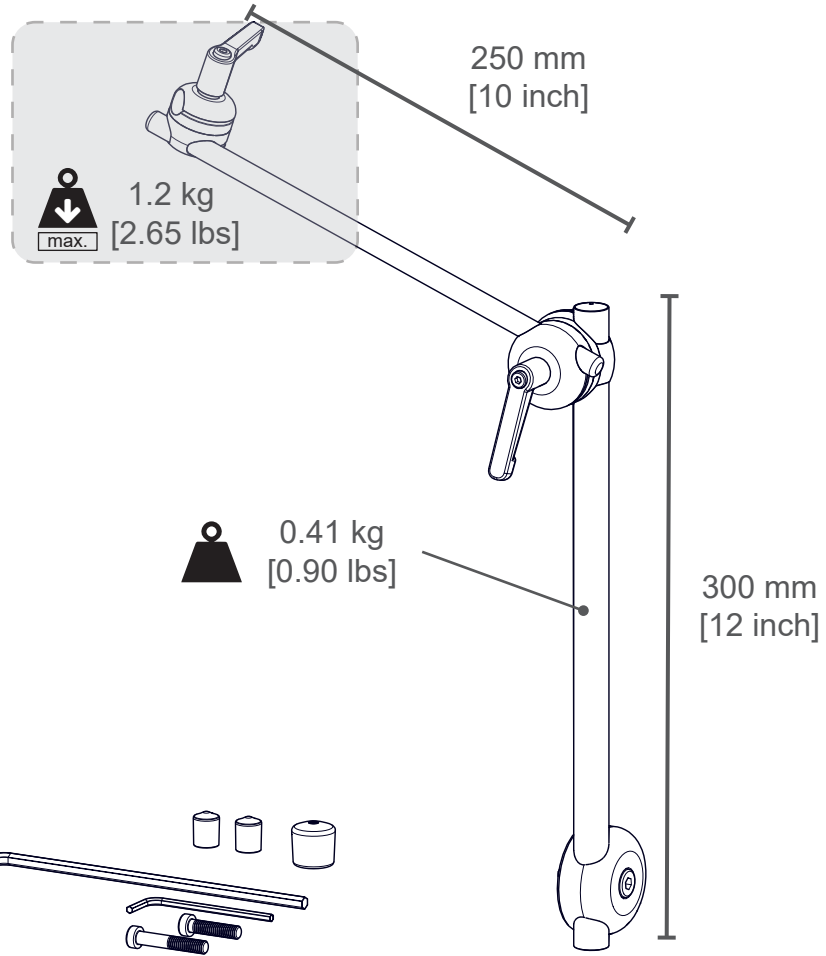
M3D H3D

L3D

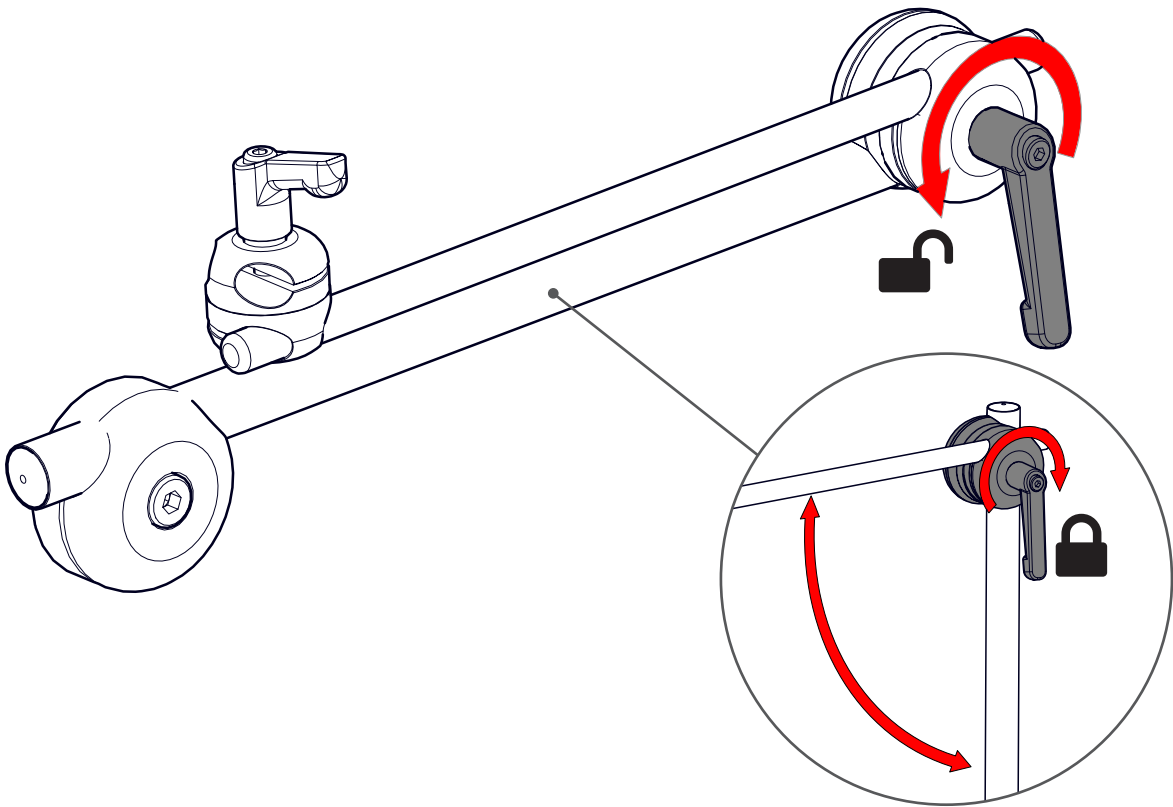
2021-04-26

00.5144~A

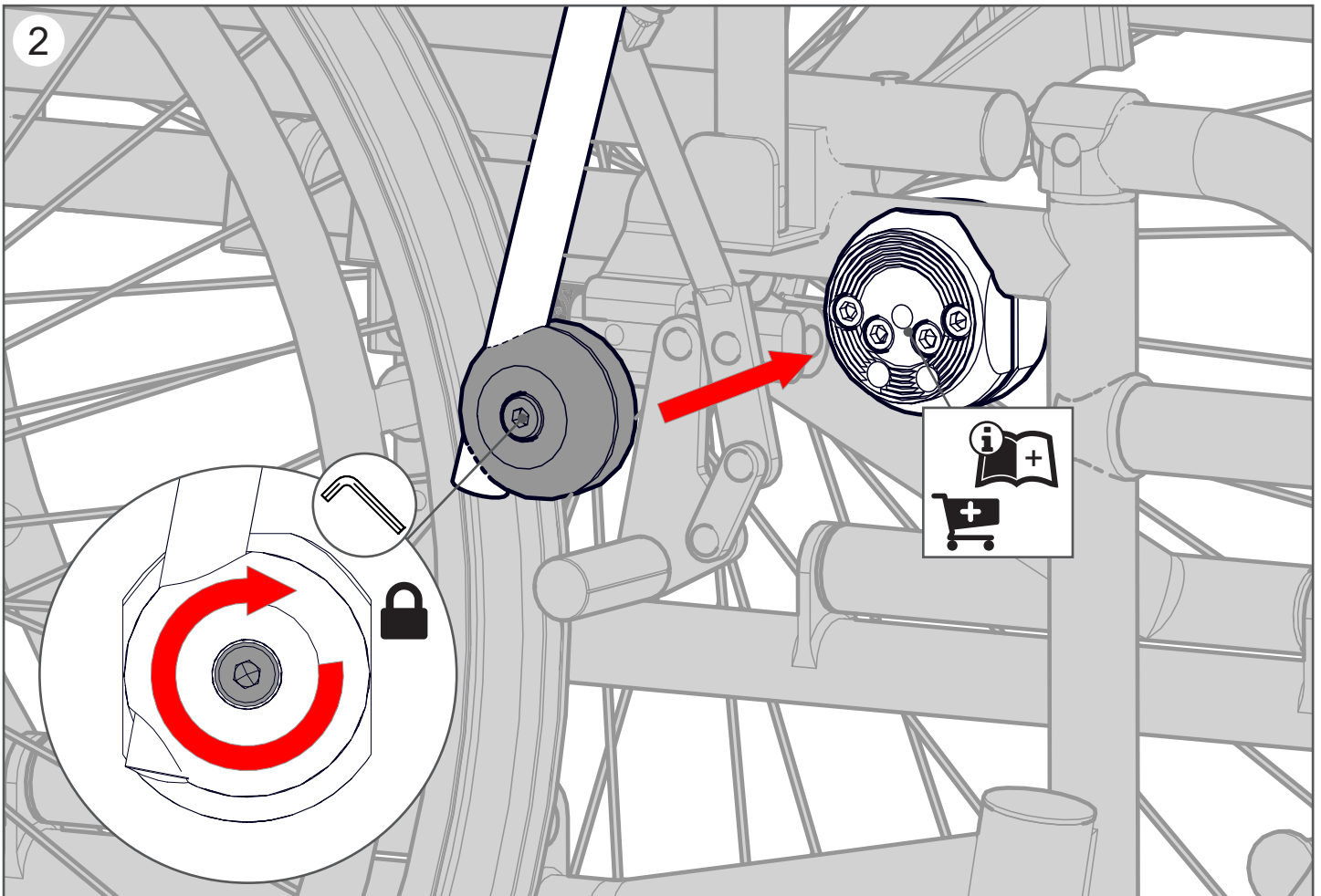




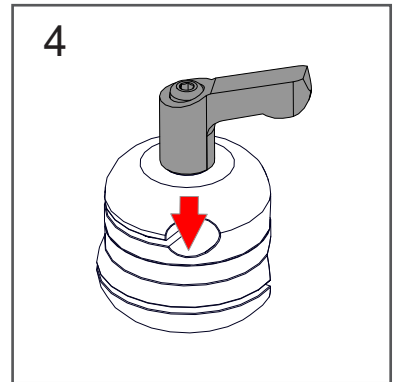
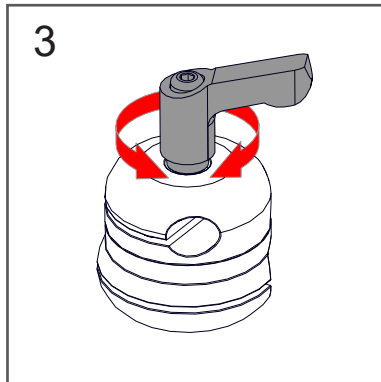
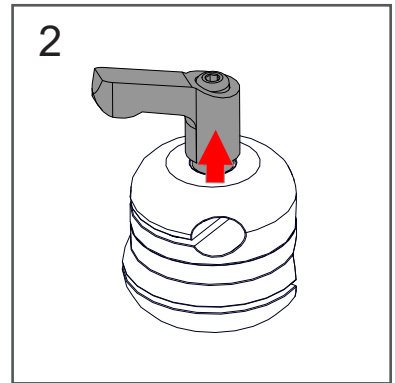
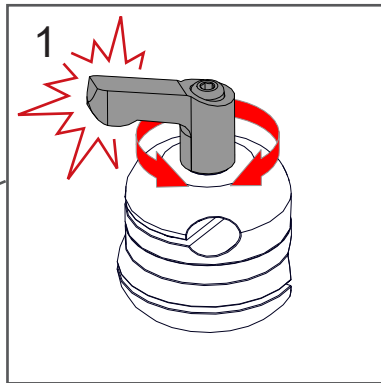
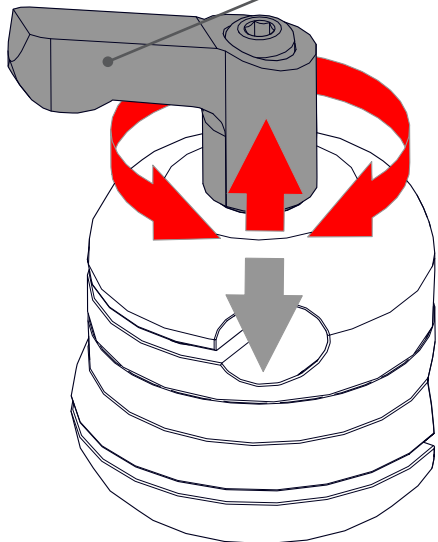
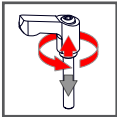
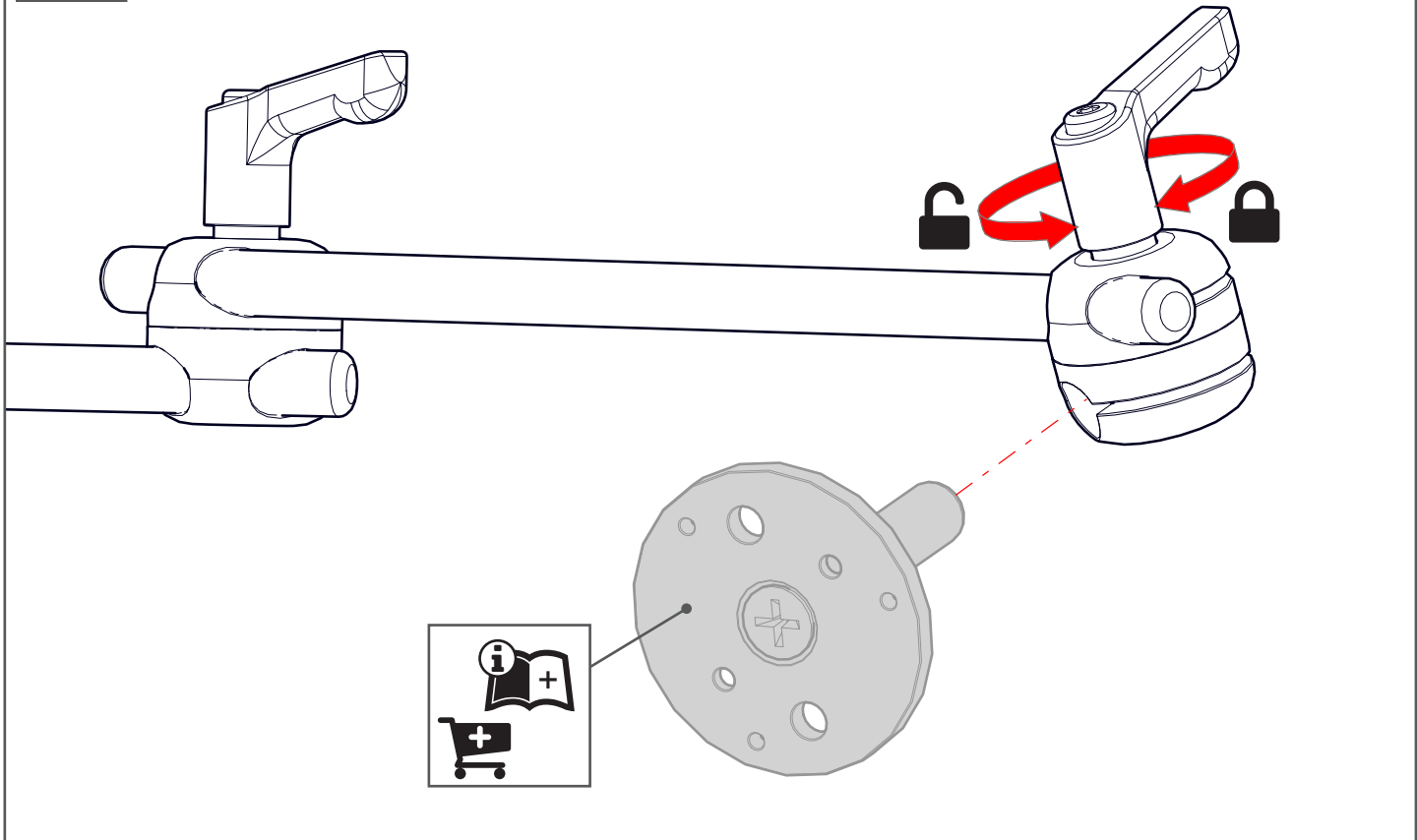
1

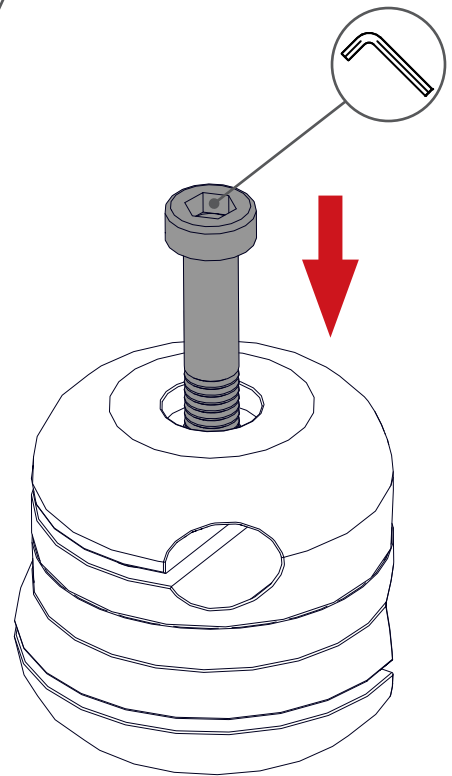
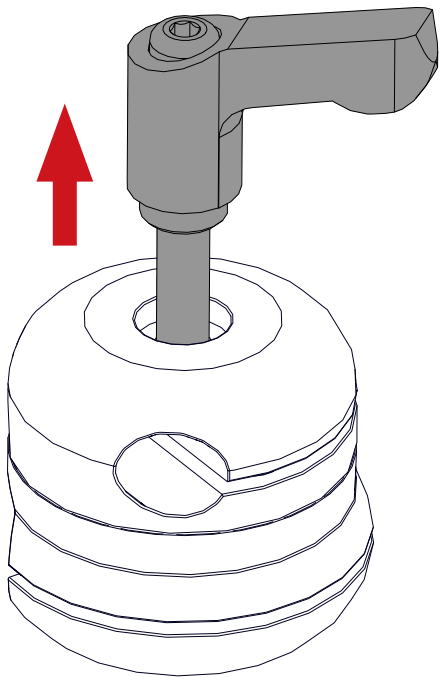


2

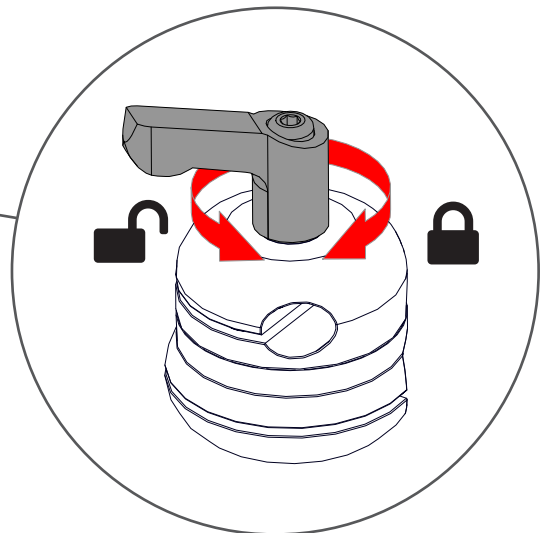
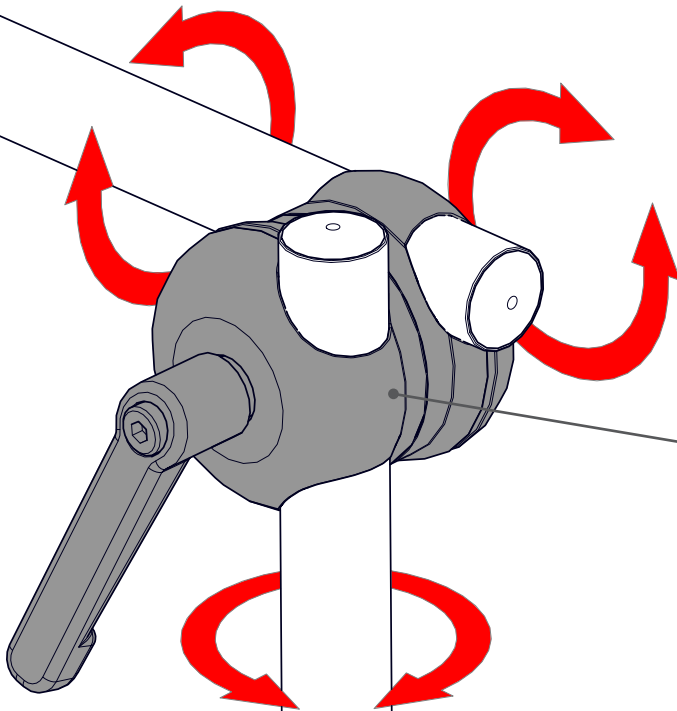
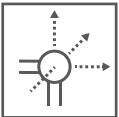


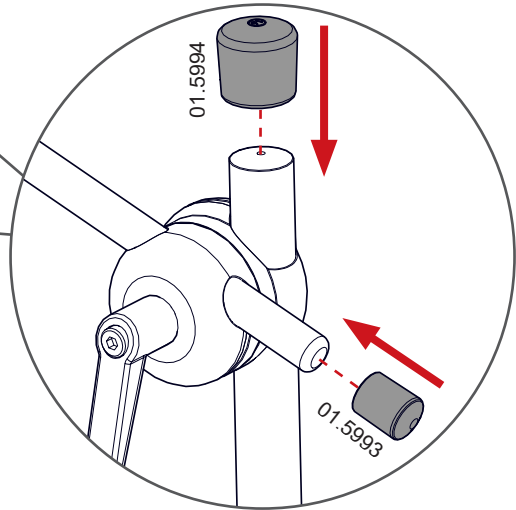
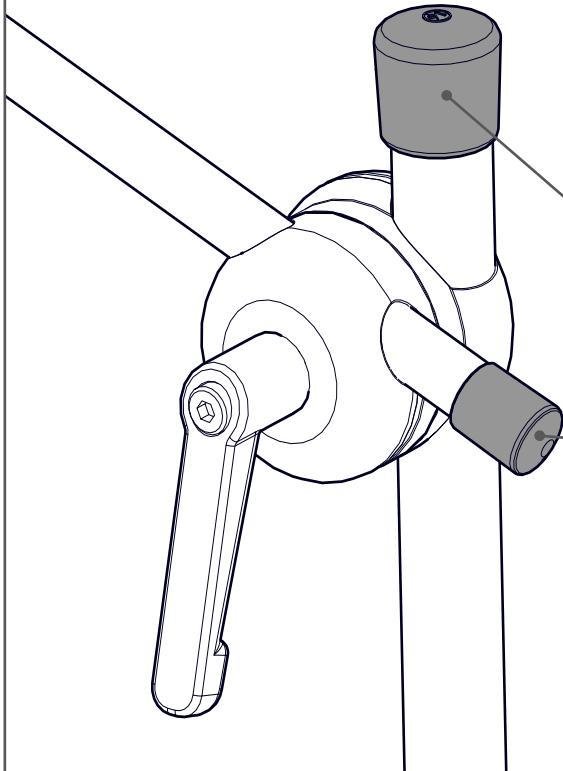
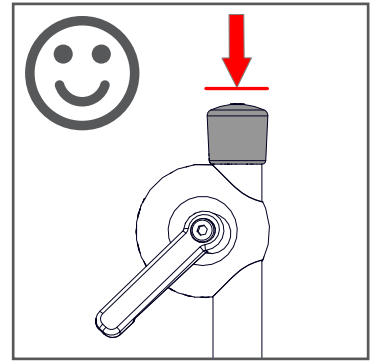
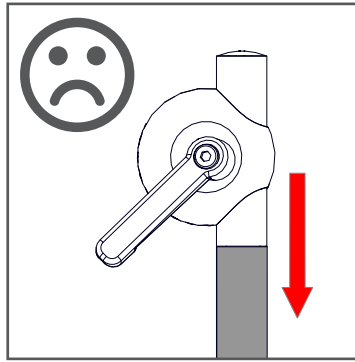
3

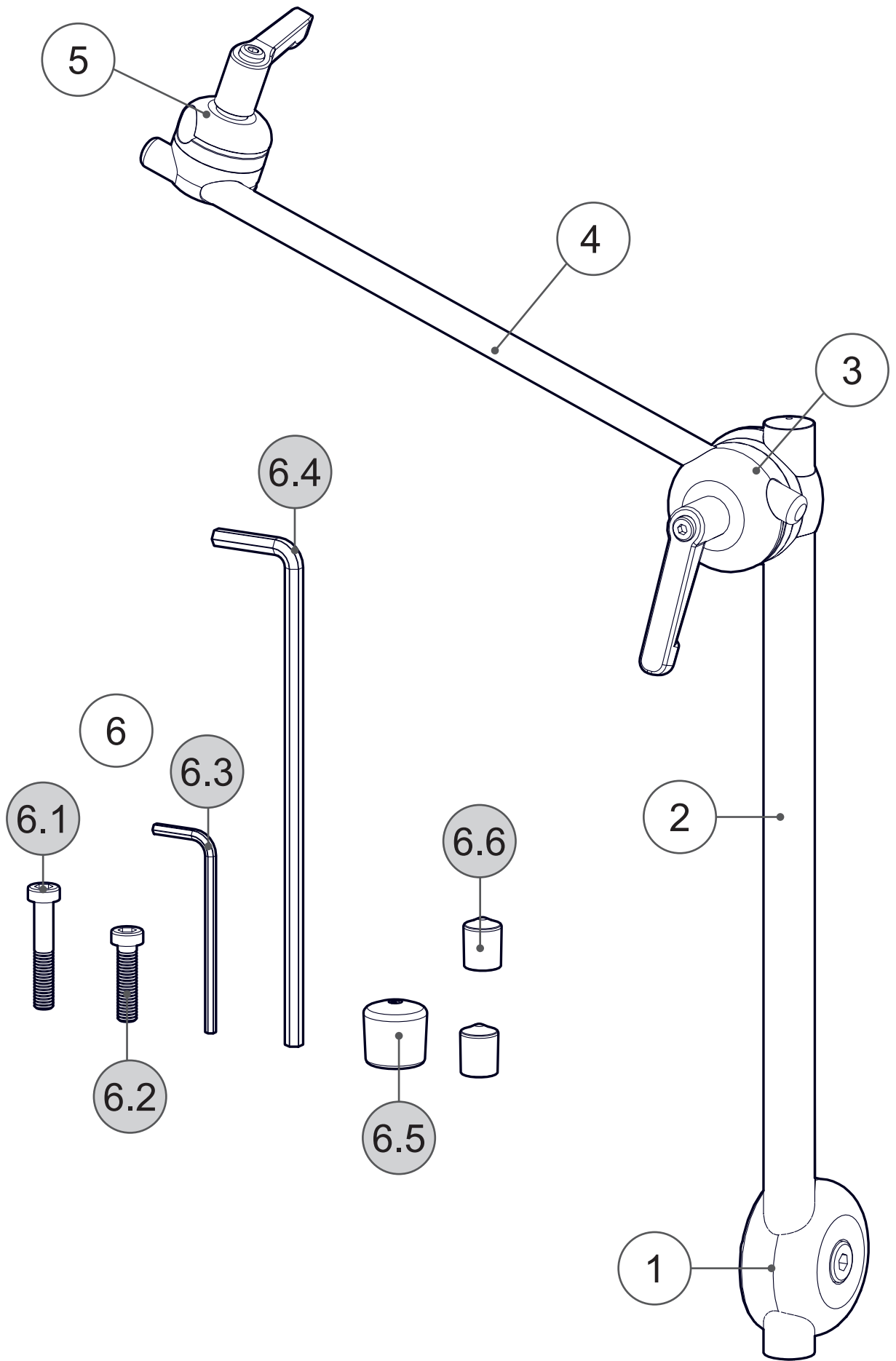




16-10	01.0634
10-10	01.0624

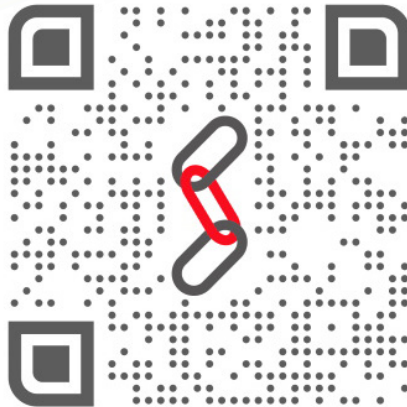






Pos.	No.	Bezeichnung	Description
1	14.1101	L3D16 Rohraufnahme	L3D16 Tube Socket
2	14.9504	Rohr Ø16x300	Tube Ø16x300
3	14.1251	L3D 16-10 QS	L3D 16-10 QS
4	14.9515	Rohr Ø10x250	Tube Ø10x250
5	14.1252	L3D 10-10 QS	L3D 10-10 QS
6	14.2015BS	Schraubensatz - L3D SLS	Set of bolts - L3D SLS
6.1	01.0634	Zylinderschraube M6x35	Cylindric Head Bolt M6x35
6.2	01.0624	Zylinderschraube M6x25	Cylindric Head Bolt M6x25
6.3	01.0002	Innensechskantschlüssel 3mm	Allen wrench 3mm
6.4	01.0008	Innensechskantschlüssel 5mm	Allen wrench 5mm
6.5	01.5994	Abrutschkappe Ø16mm	Restraining cap Ø16mm
6.6	01.5993	Abrutschkappe Ø10mm	Restraining cap Ø10mm





Rehadapt Engineering
GmbH & Co. KG

📄 Heinrich-Hertz-Str. 104
34123 Kassel, Germany

☎ Tel.: +49 561 220 717 0
📠 Fax: +49 561 220 717 99

✉ officeteam@rehadapt.com
🌐 <https://rehadapt.com>



Rehadapt
North America

📄 40 Oser Ave
Hauppauge, NY 11788, USA

☎ Tel.: 1 (888) 635-6962
📠 Fax: 1 (888) 635-6962

✉ officeteam.na@rehadapt.com
🌐 <https://rehadapt.com>