



Light 3D

- 14.3215 **Light 3D QuickShift SLS**
- 14.3215CM **Custom Light 3D QuickShift SLS**

Sicherheitshinweise
Safety Instructions



Montage
Assembly Instructions



Handhabung
Handling



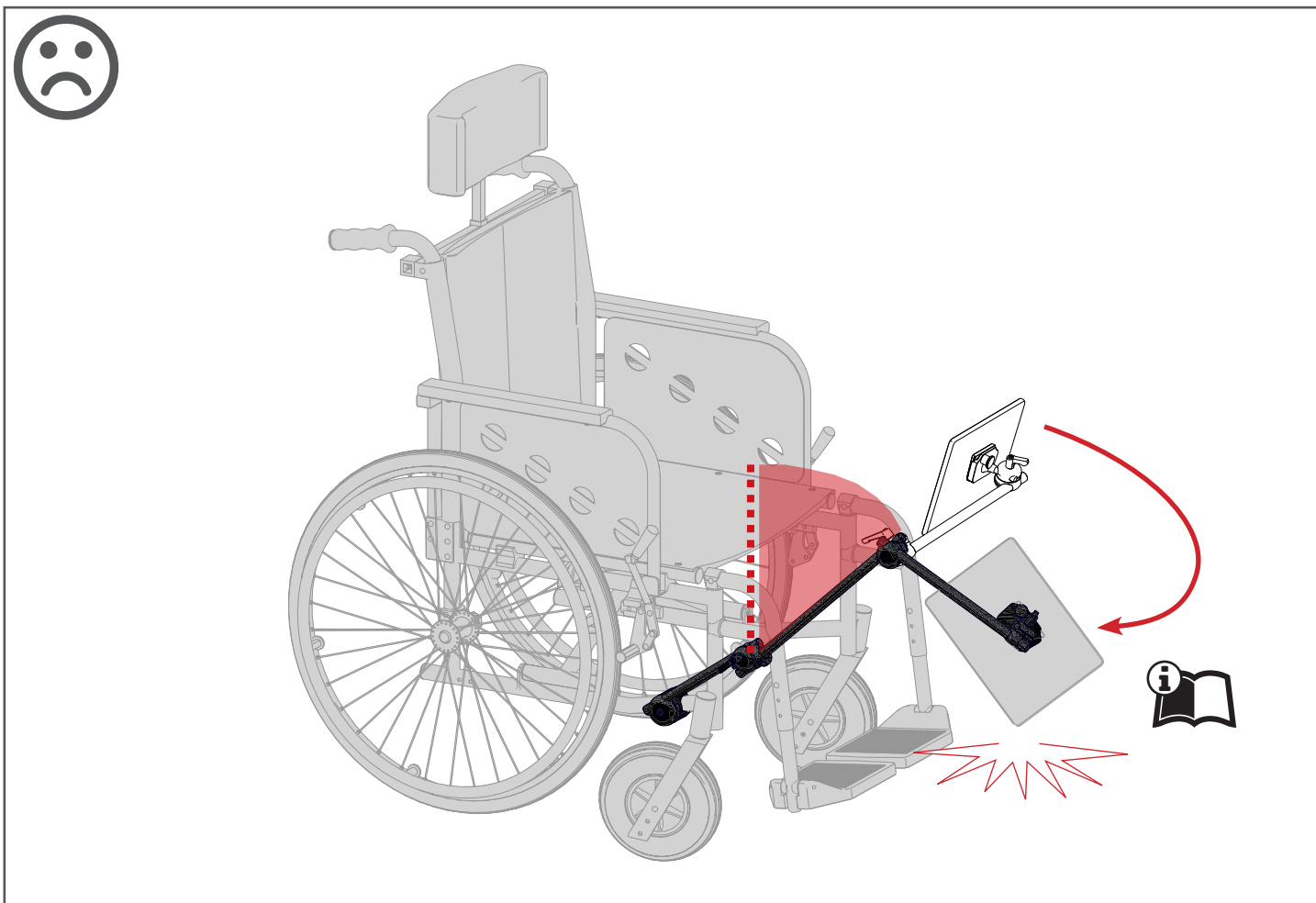
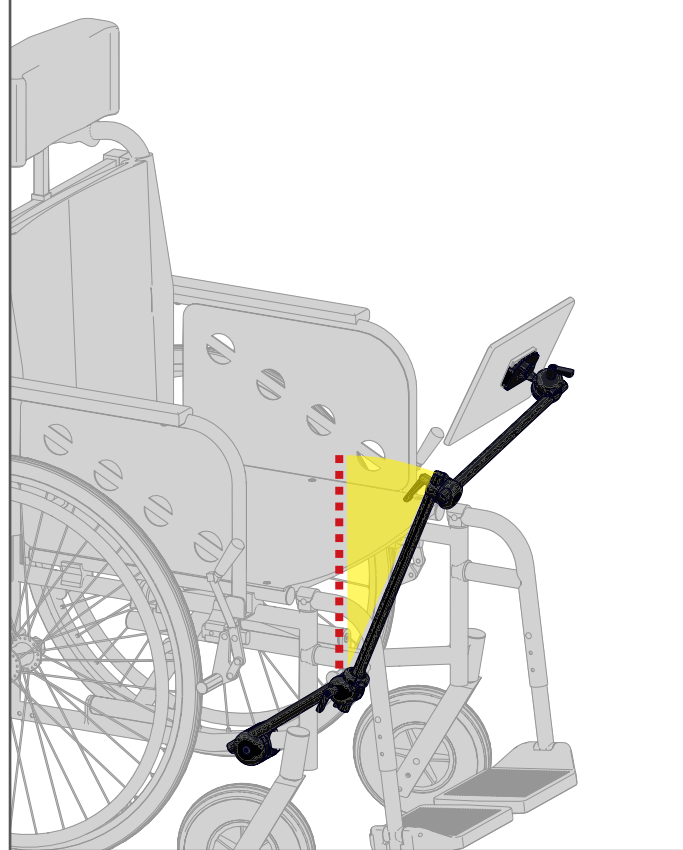
M3D H3D

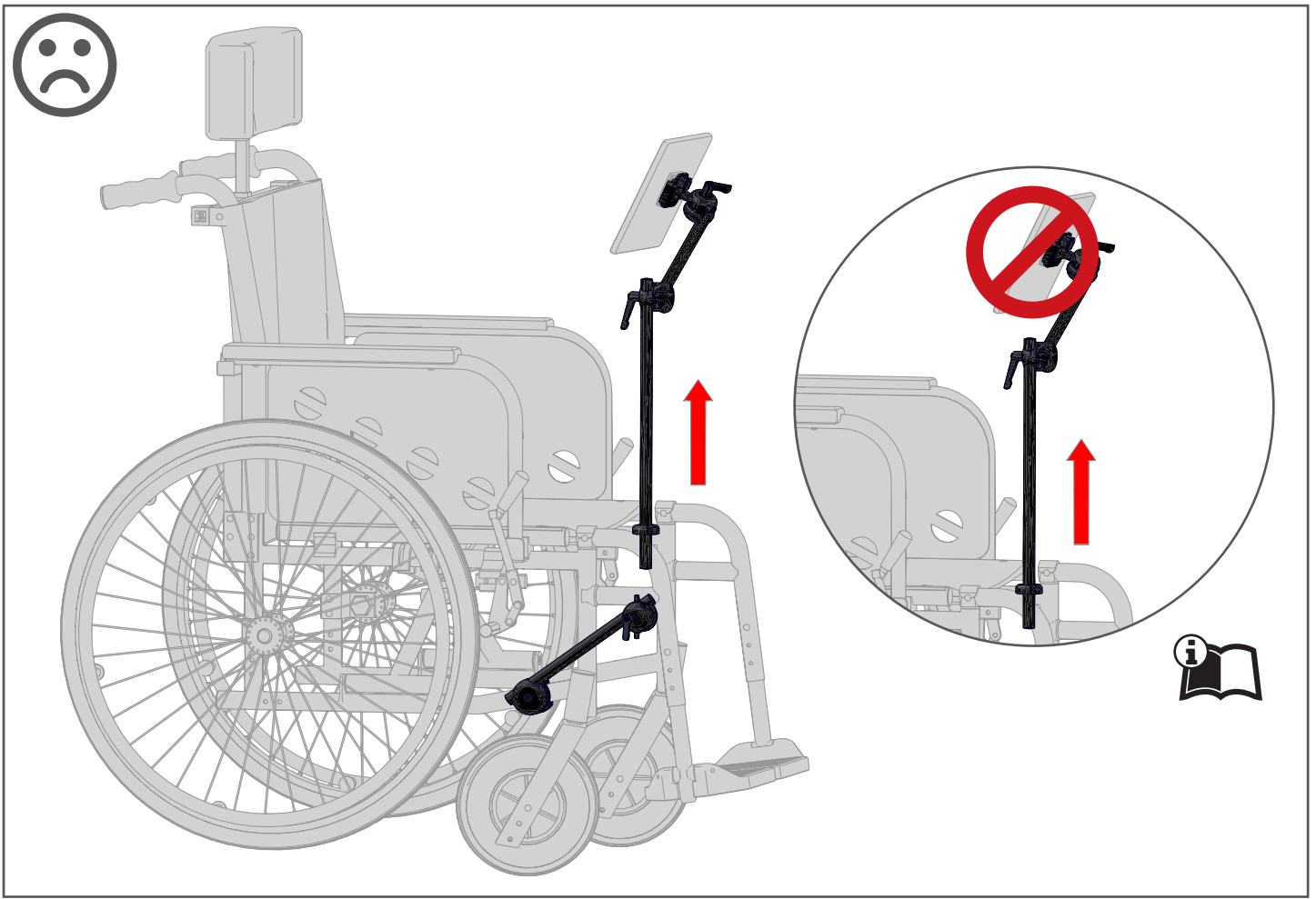
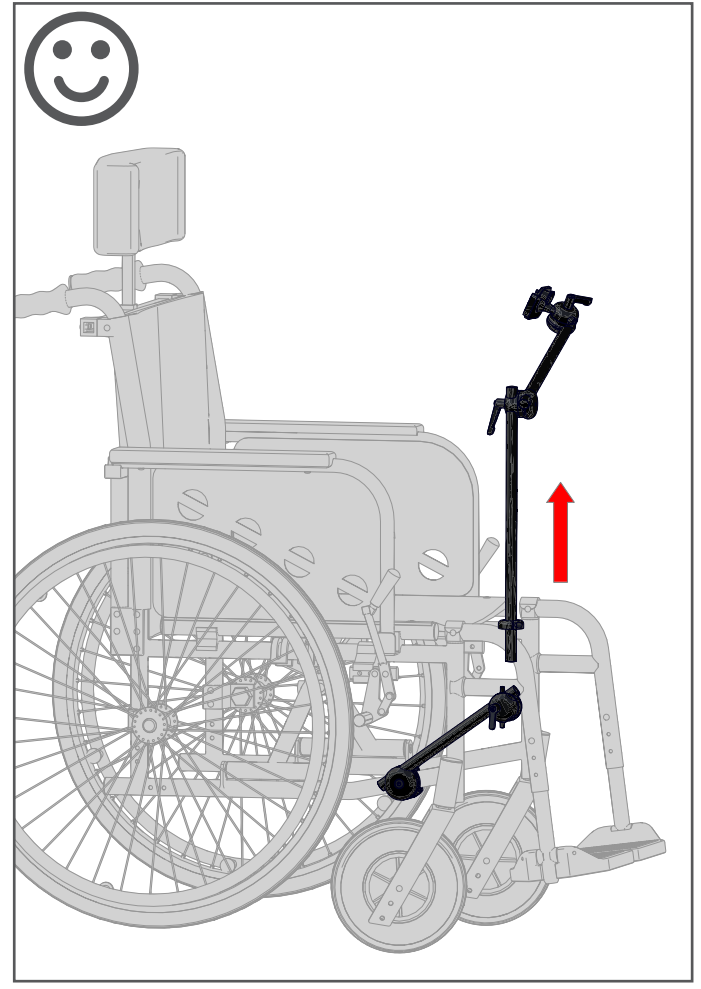
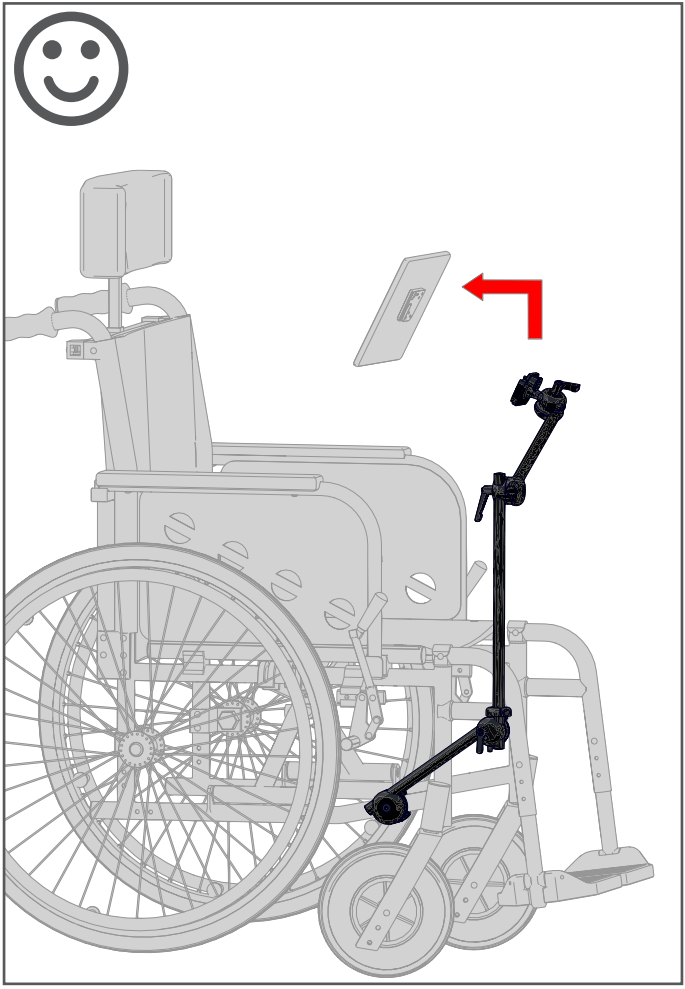
L3D

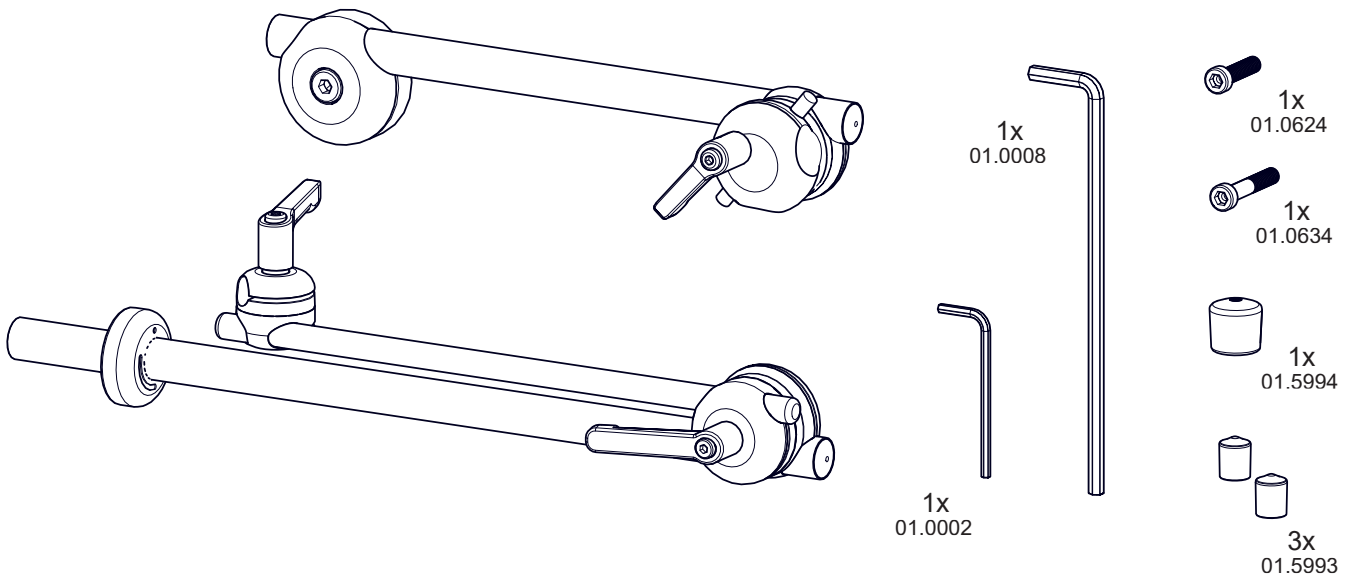
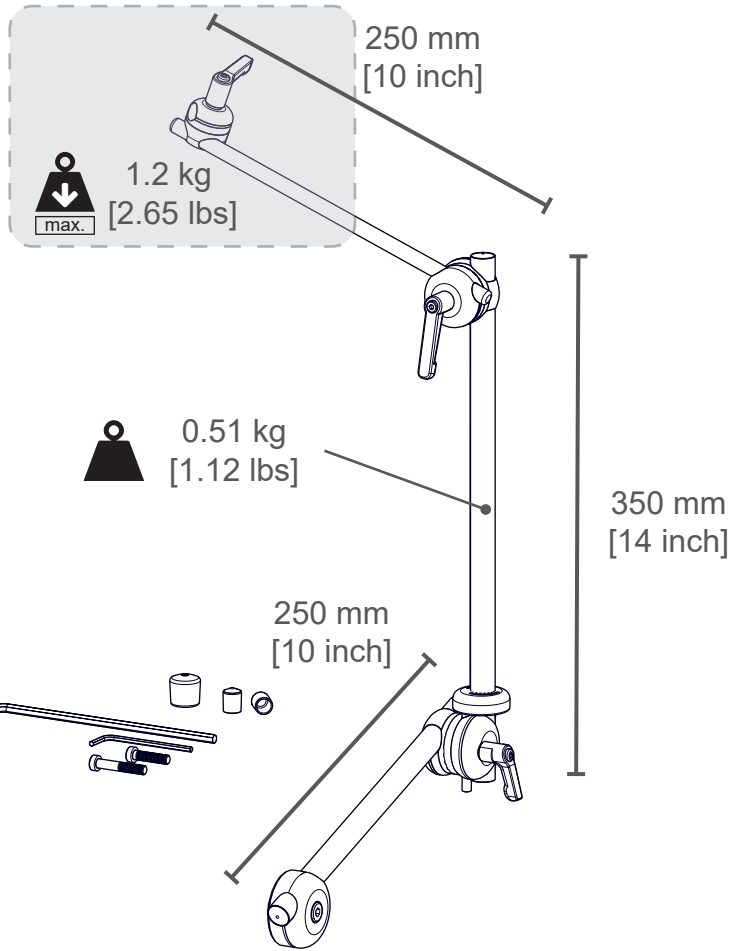
2021-01-15

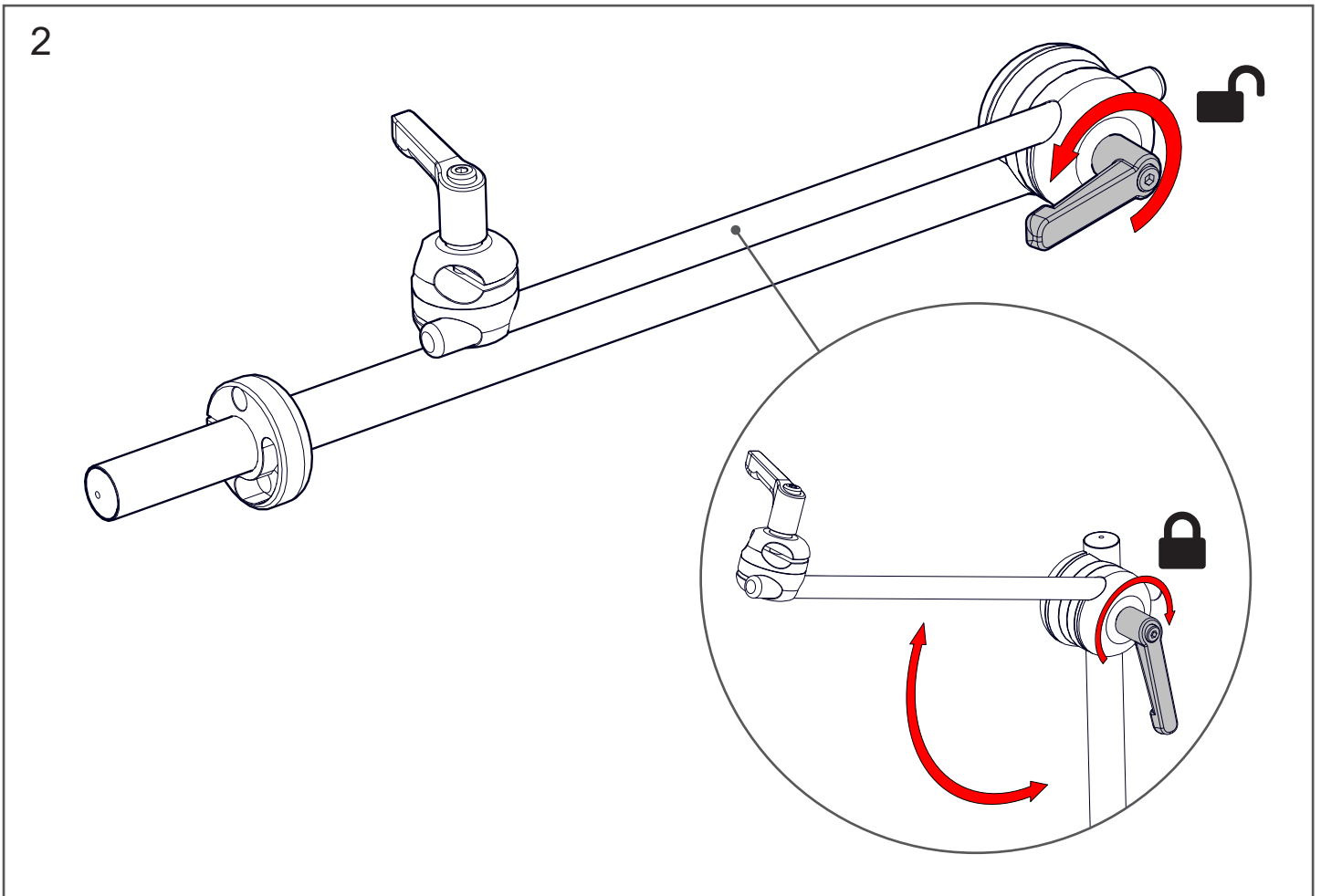
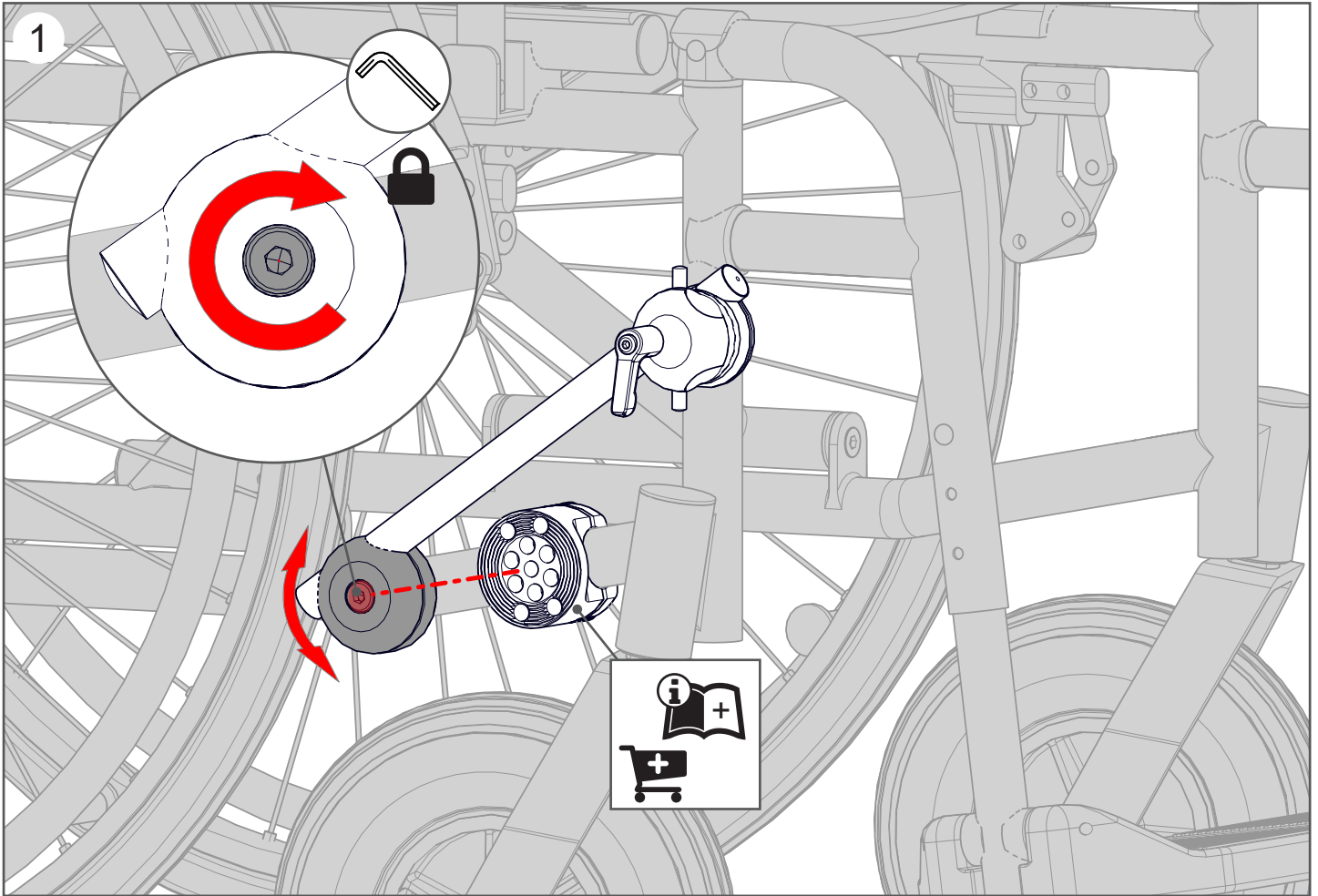
00.5142~A

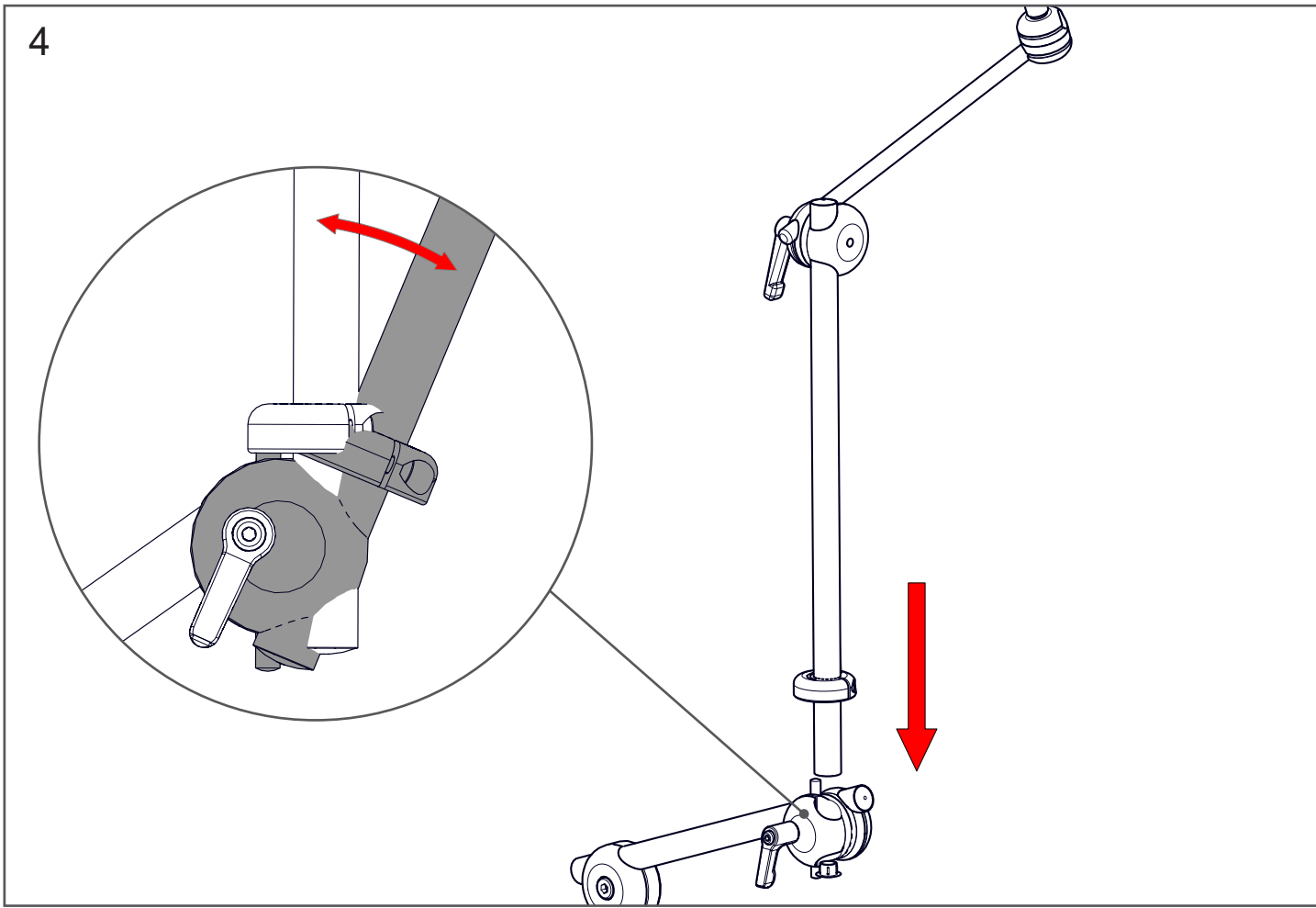
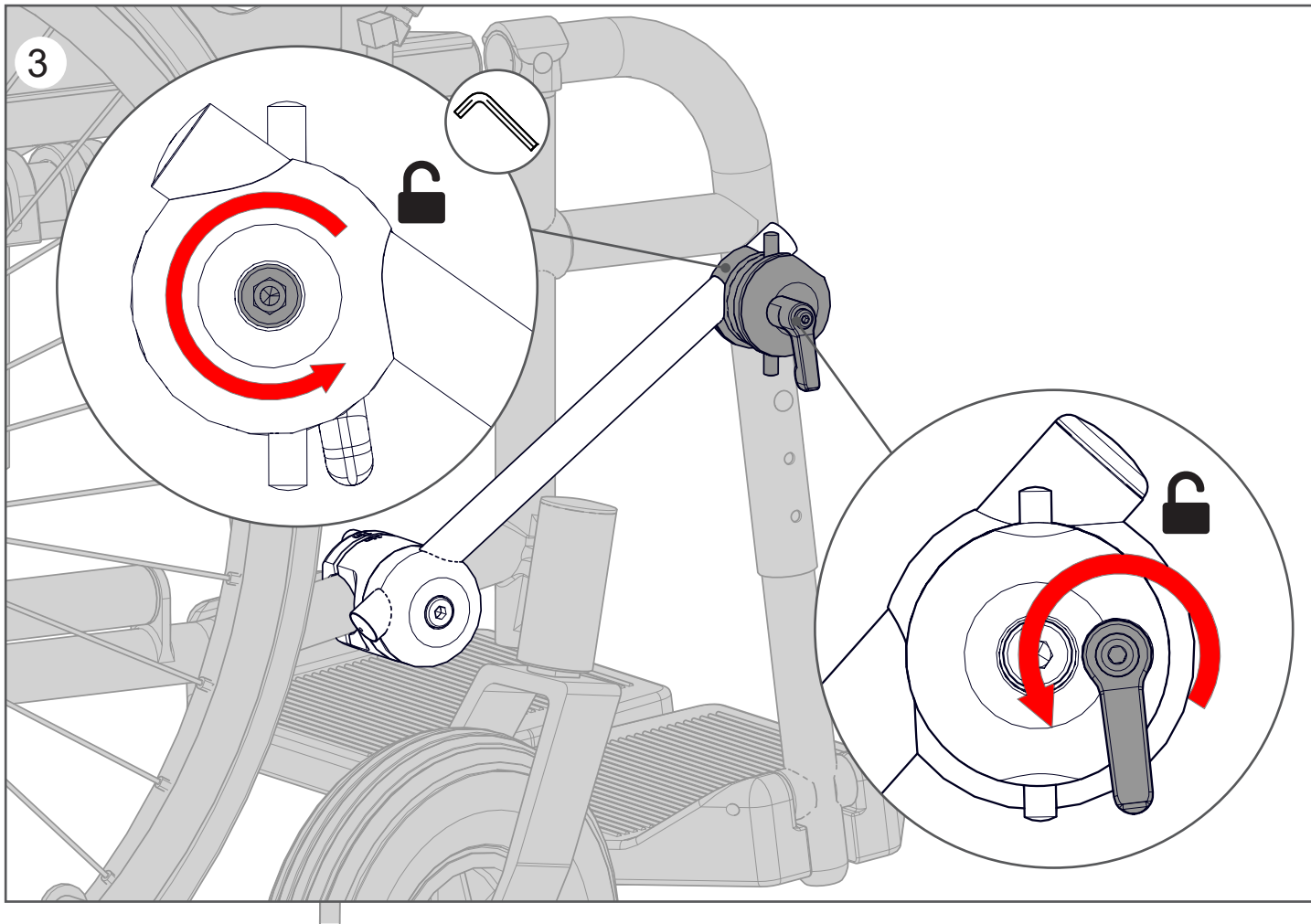




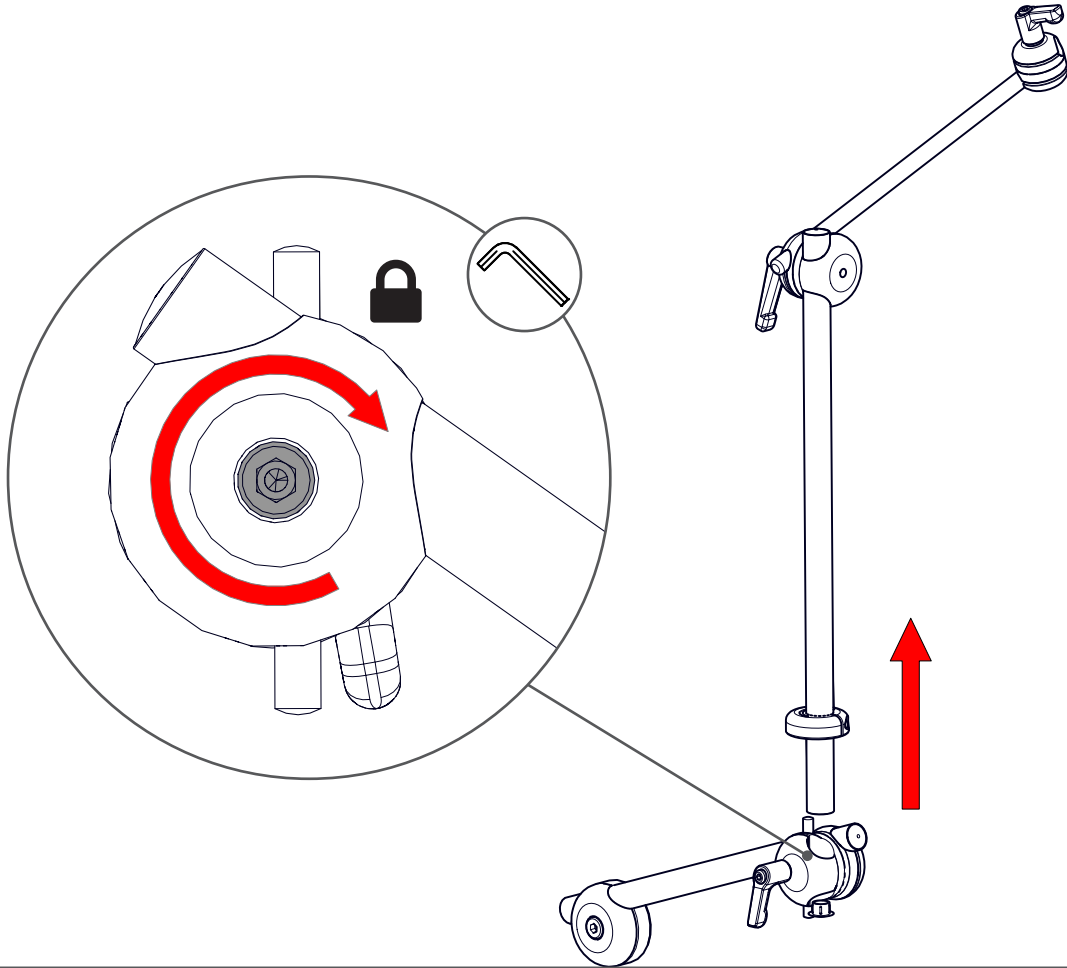




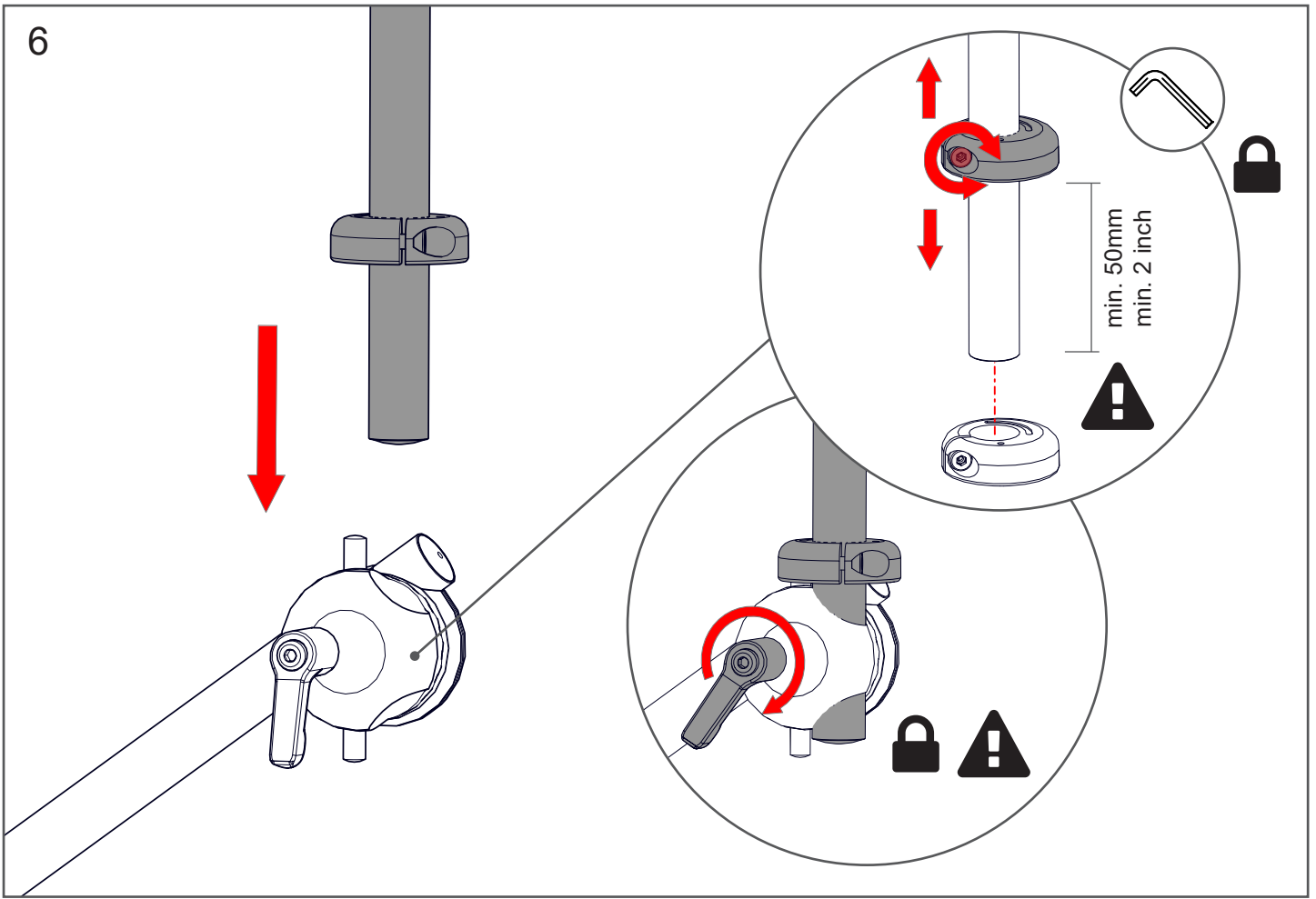


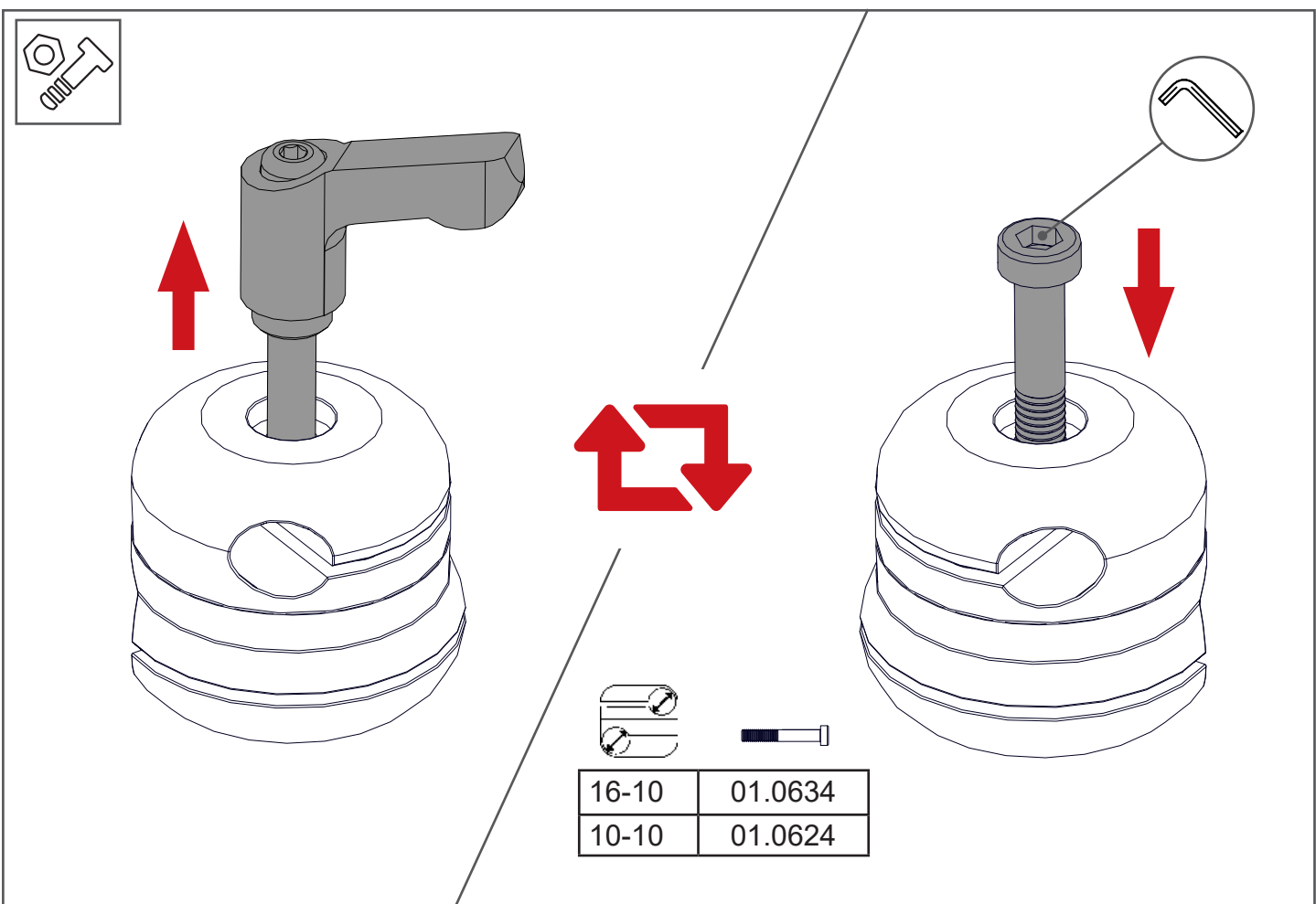
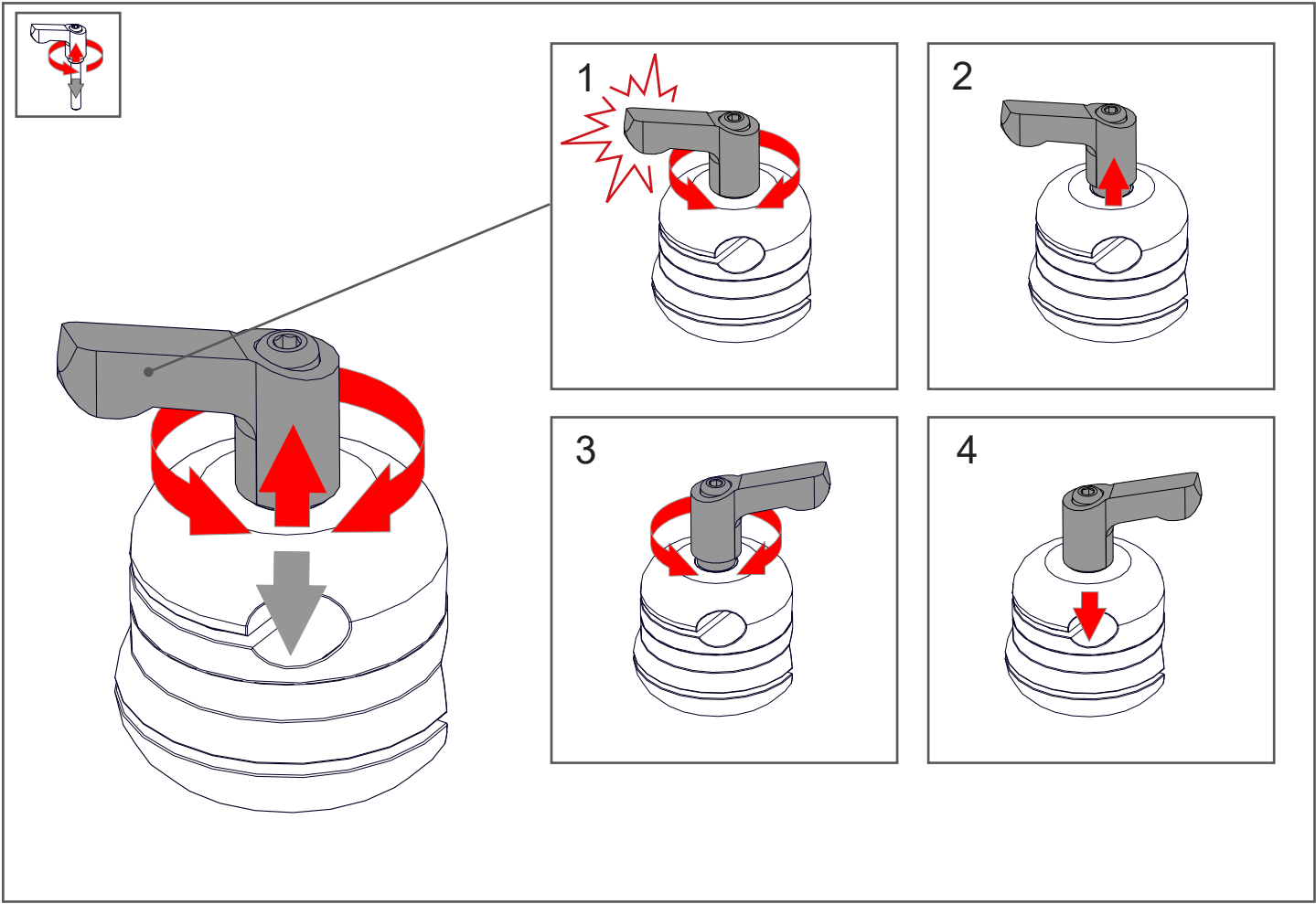


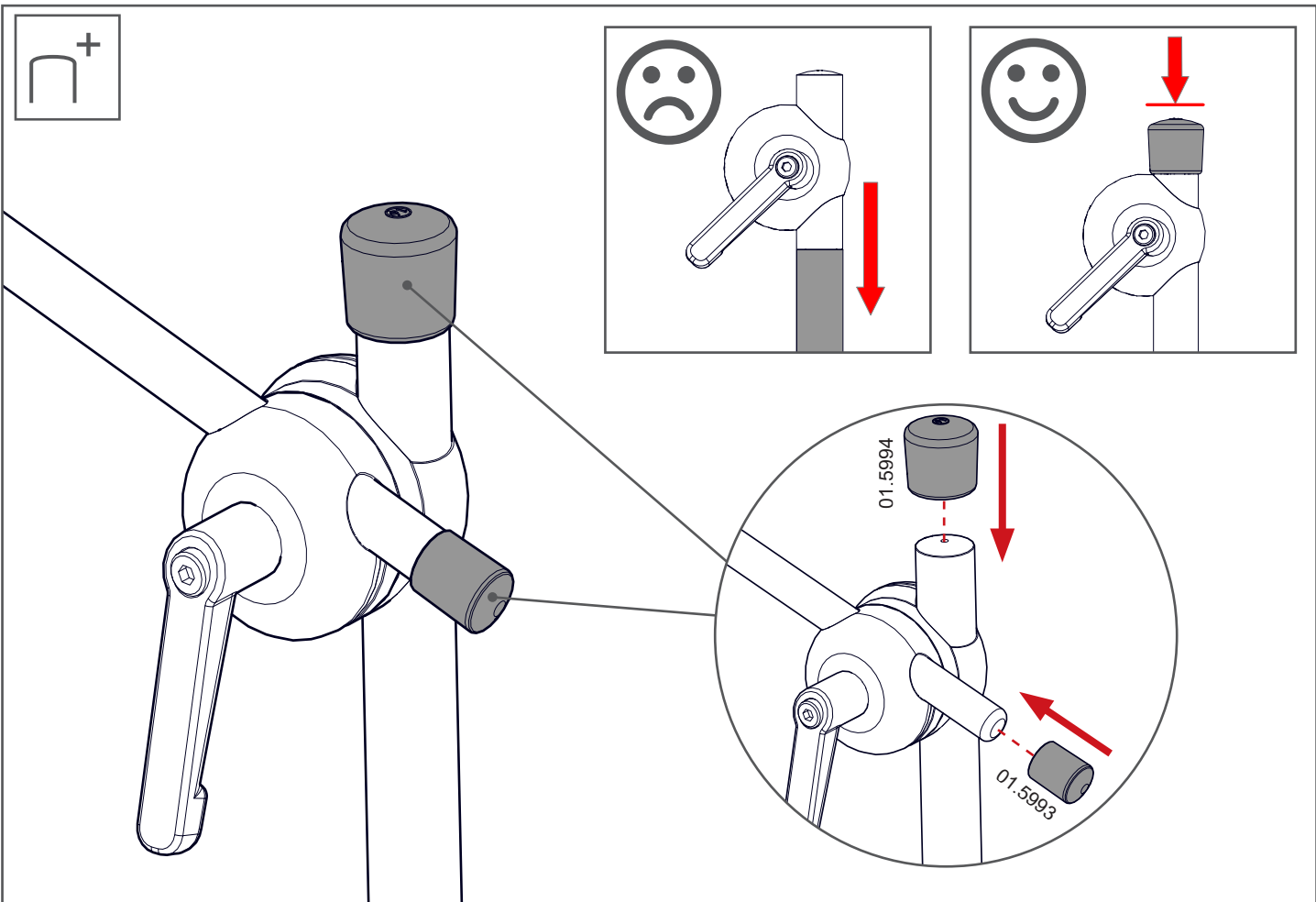
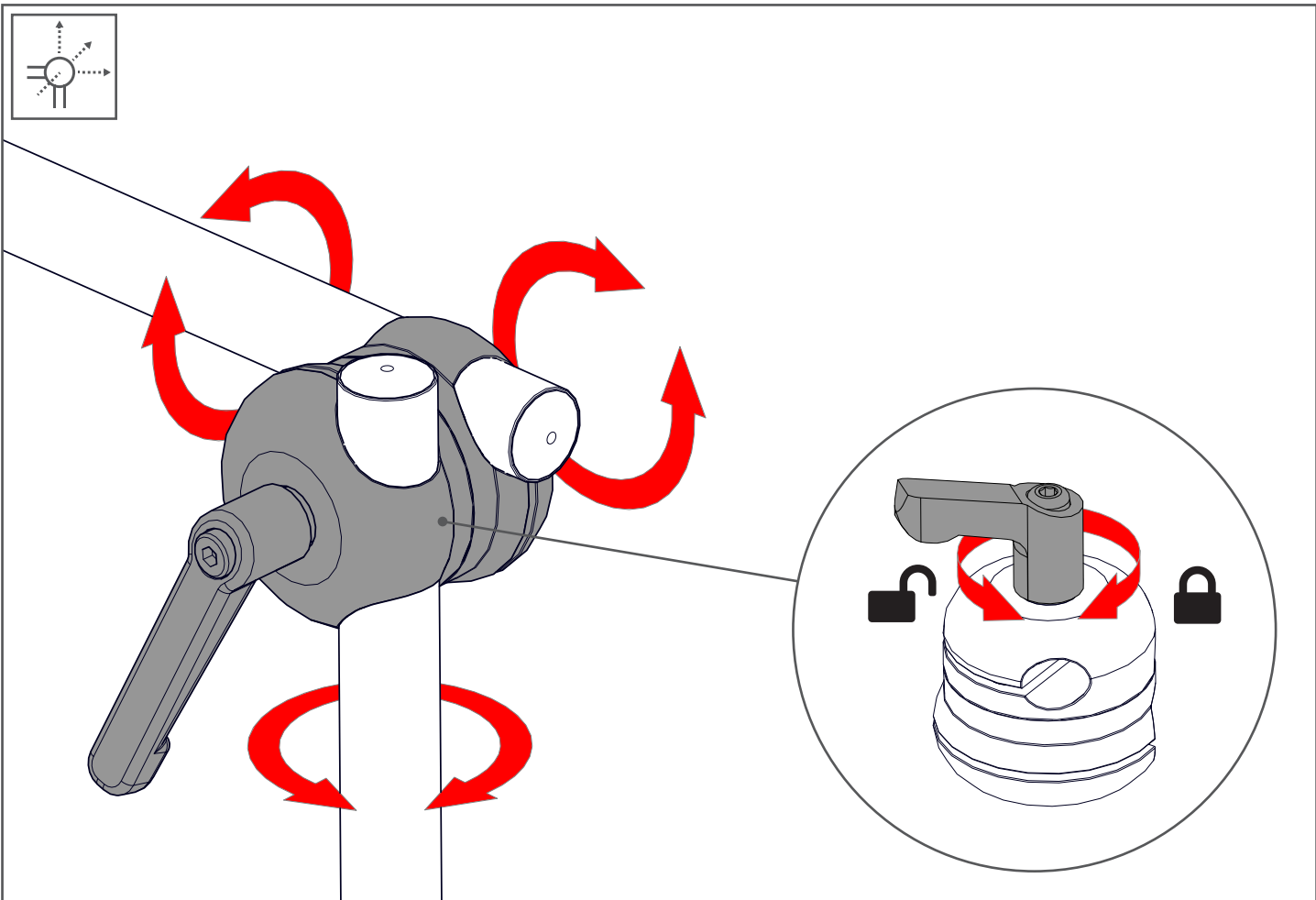
5

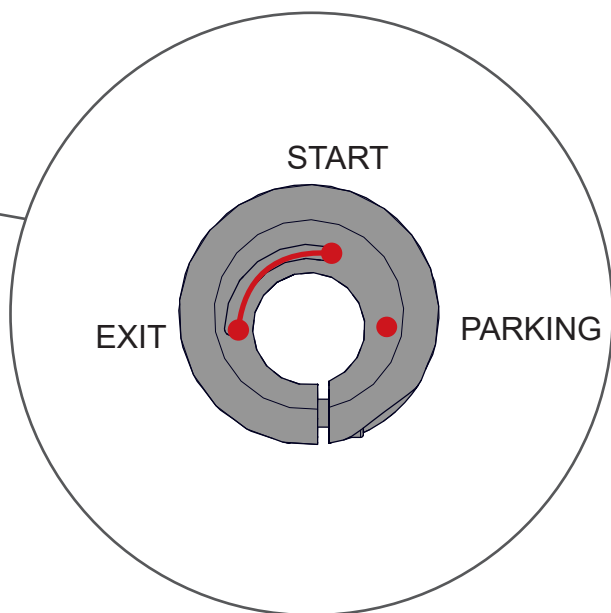
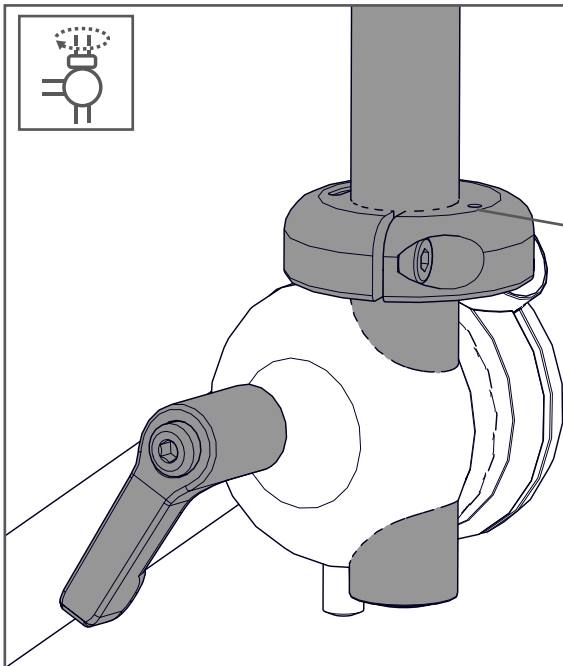
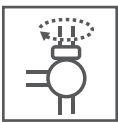


6



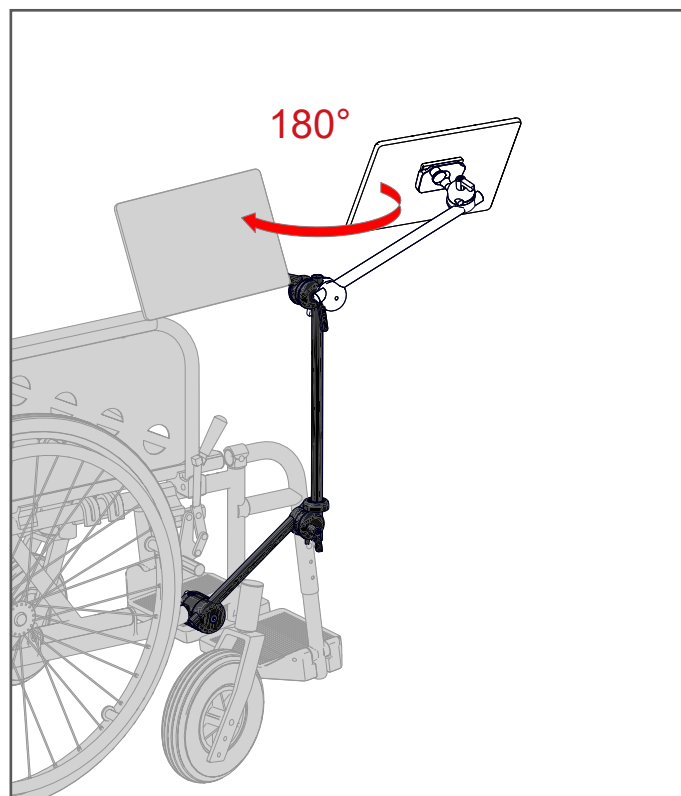
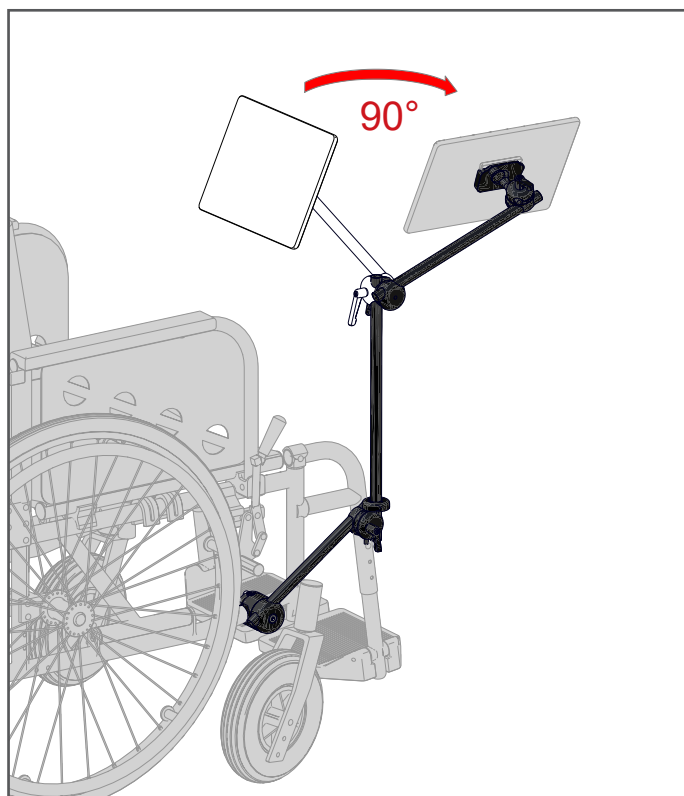
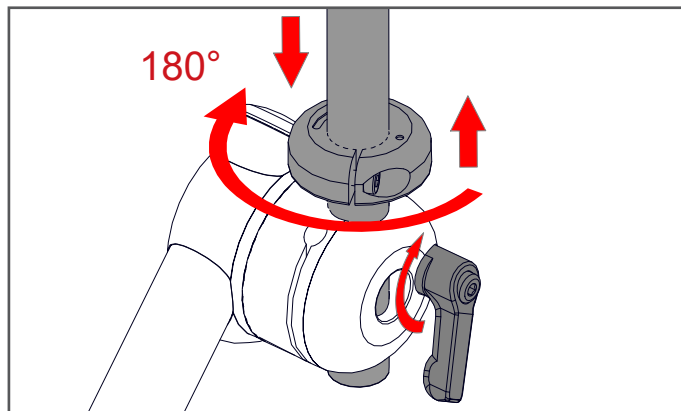
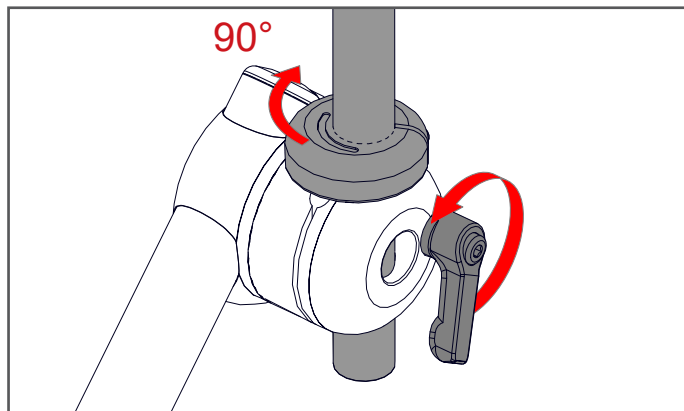


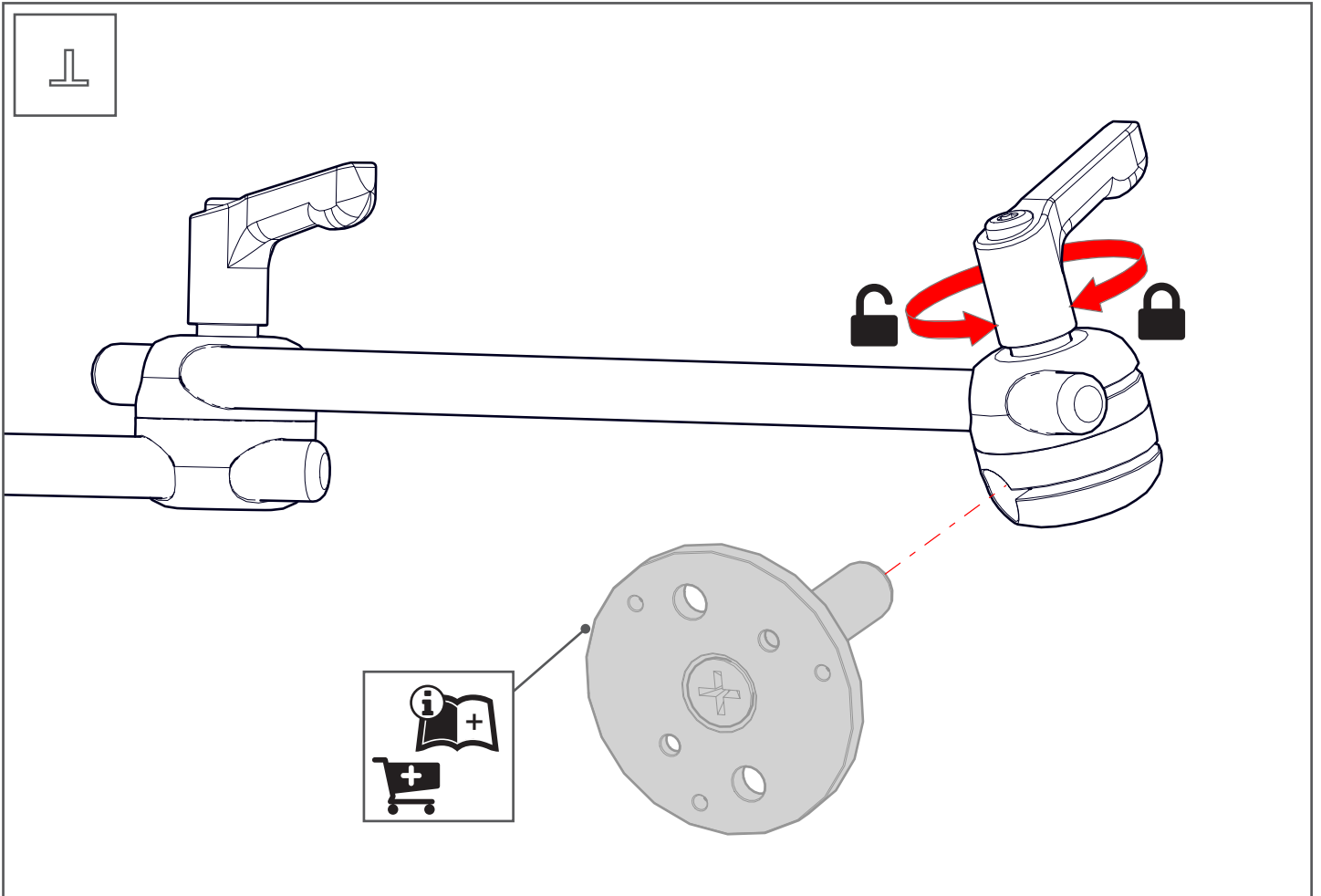


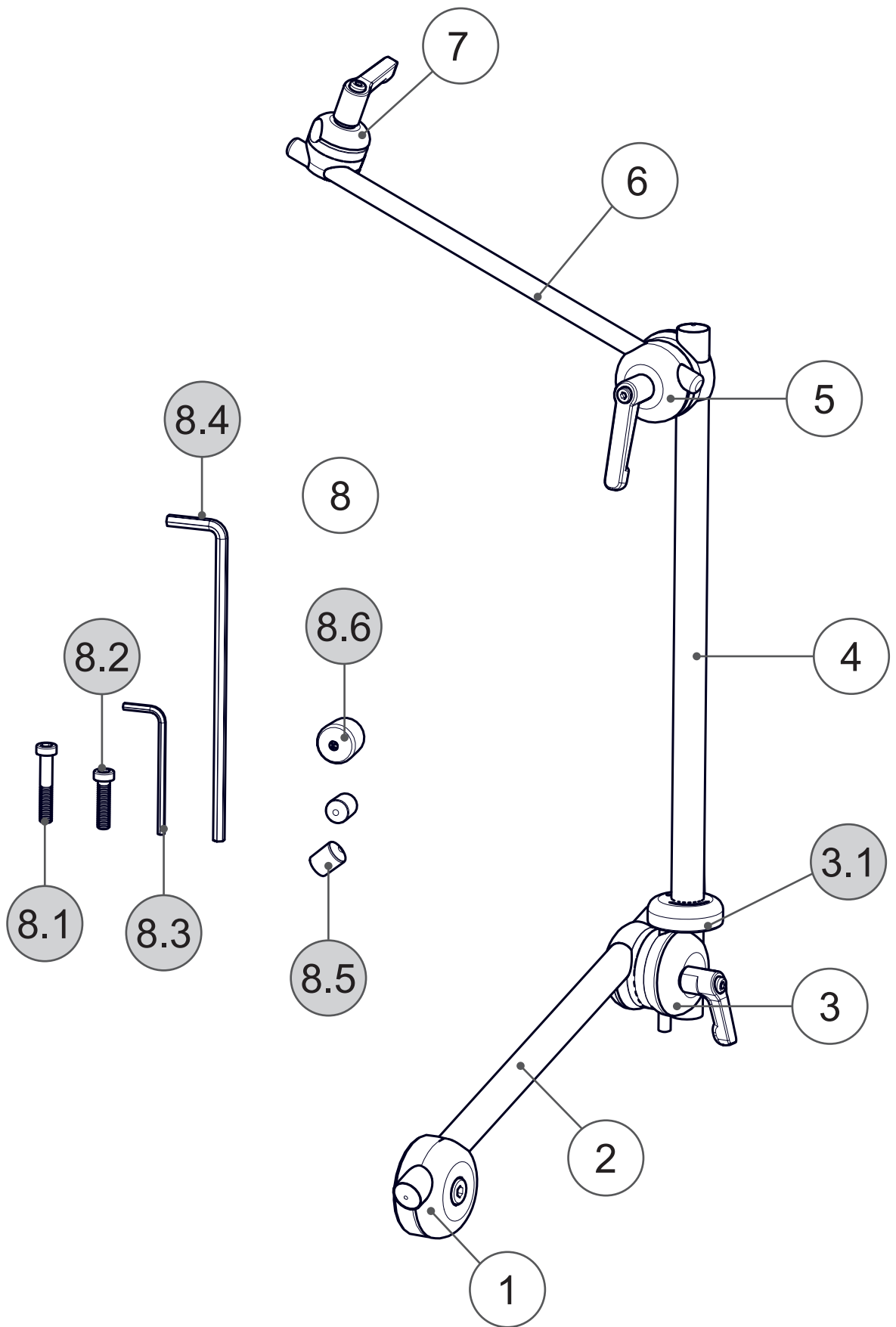


START → EXIT

EXIT → PARKING





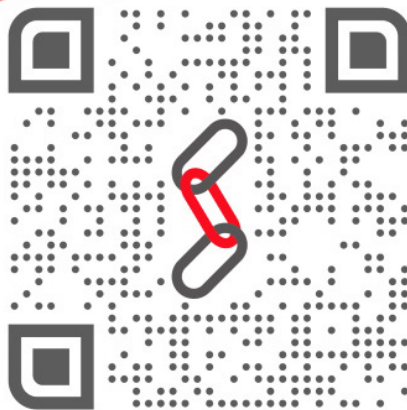


Pos.	No.	Bezeichnung	Description
1	14.1101	L3D16 Rohraufnahme	L3D16 Tube Socket
2	14.9503	Rohr Ø16x250	Tube Ø16x250
3	14.1220	L3D Schwenklager-S	L3D Swive unit S
3.1	14.1225	L3D Rast-Slot	L3D Indexing-Slot
4	14.9505	Rohr Ø16x350	Tube Ø16x350
5	14.1251	L3D 16-10 QS	L3D 16-10 QS
6	14.9515	Rohr Ø10x250	Tube Ø10x250
7	14.1252	L3D 10-10 QS	L3D 10-10 QS
8	14.2015BS	Schraubensatz - L3D SLS	Set of bolts - L3D SLS
8.1	01.0634	Zylinderschraube M6x35	Cylinder head bolt M6x35
8.2	01.0624	Zylinderschraube M6x25	Cylinder head bolt M6x25
8.3	01.0002	Innensechskantschlüssel 3mm	Allen wrench 3mm
8.4	01.0008	Innensechskantschlüssel 5mm	Allen wrench 5mm
8.5	01.5993	Abrutschkappe Ø10mm	Restraining cap Ø10mm black
8.6	01.5994	Abrutschkappe Ø16mm	Restraining cap Ø16mm black



We ♥ your
feedback

www.rehadapt.com/vms/feedback



Rehadapt Engineering
GmbH & Co. KG

📄 Heinrich-Hertz-Str. 104
34123 Kassel, Germany

☎ Tel.: +49 561 220 717 0
📠 Fax: +49 561 220 717 99

✉ officeteam@rehadapt.com
🌐 <https://rehadapt.com>



Rehadapt
North America

📄 40 Oser Ave
Hauppauge, NY 11788, USA

☎ Tel.: 1 (888) 635-6962
📠 Fax: 1 (888) 635-6962

✉ officeteam.na@rehadapt.com
🌐 <https://rehadapt.com>