

# Hybrid 3D

- 13.2011 Hybrid 3D Universal UDS
- 13.2015 Hybrid 3D Universal SLS

Sicherheitshinweise  
Safety Instructions



Montage  
Assembly Instructions



Handhabung  
Handling



M3D

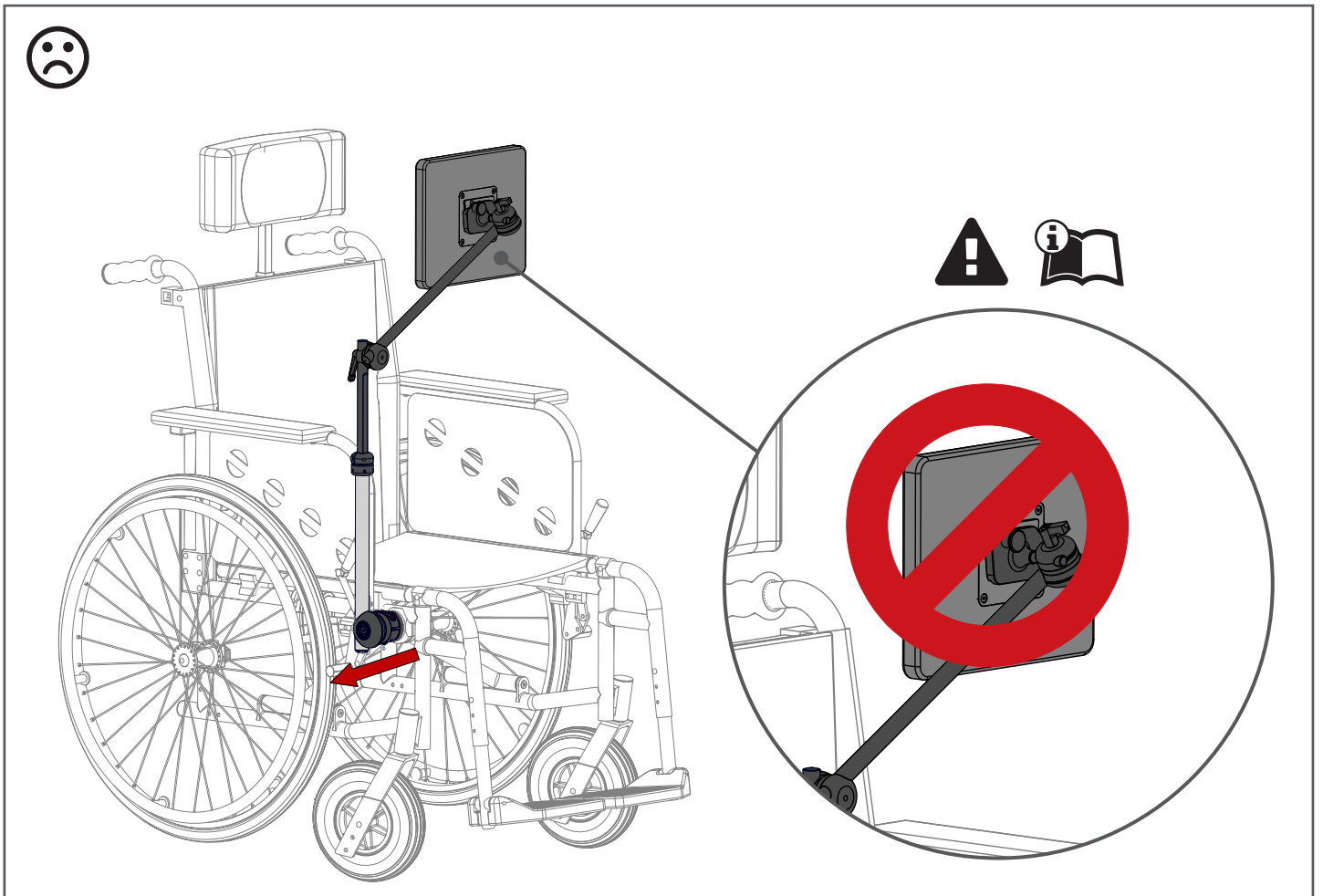
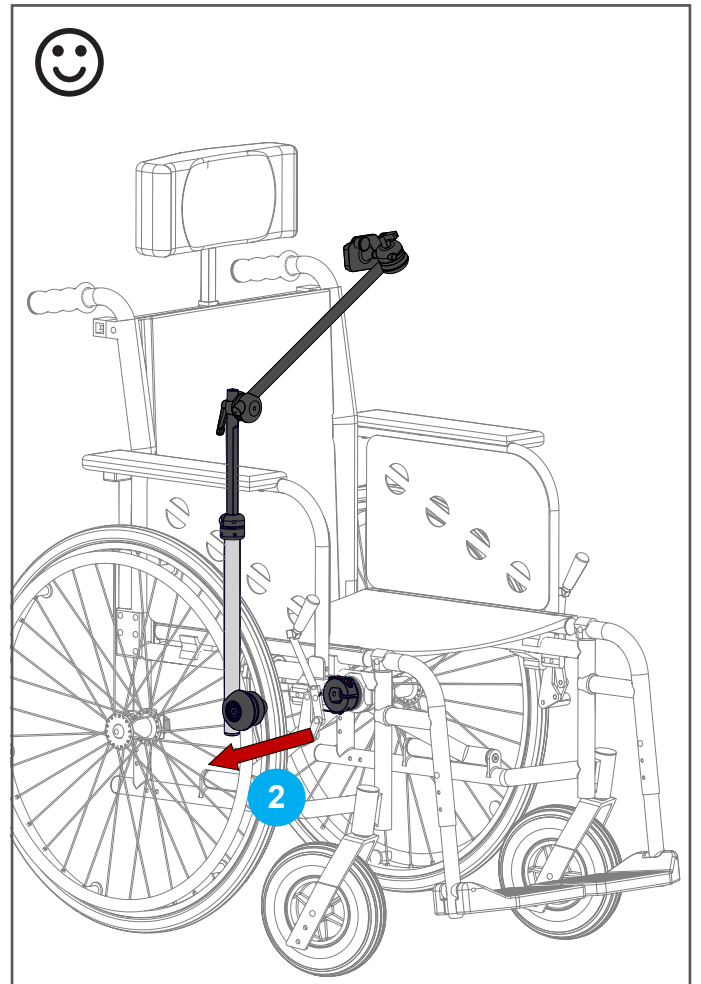
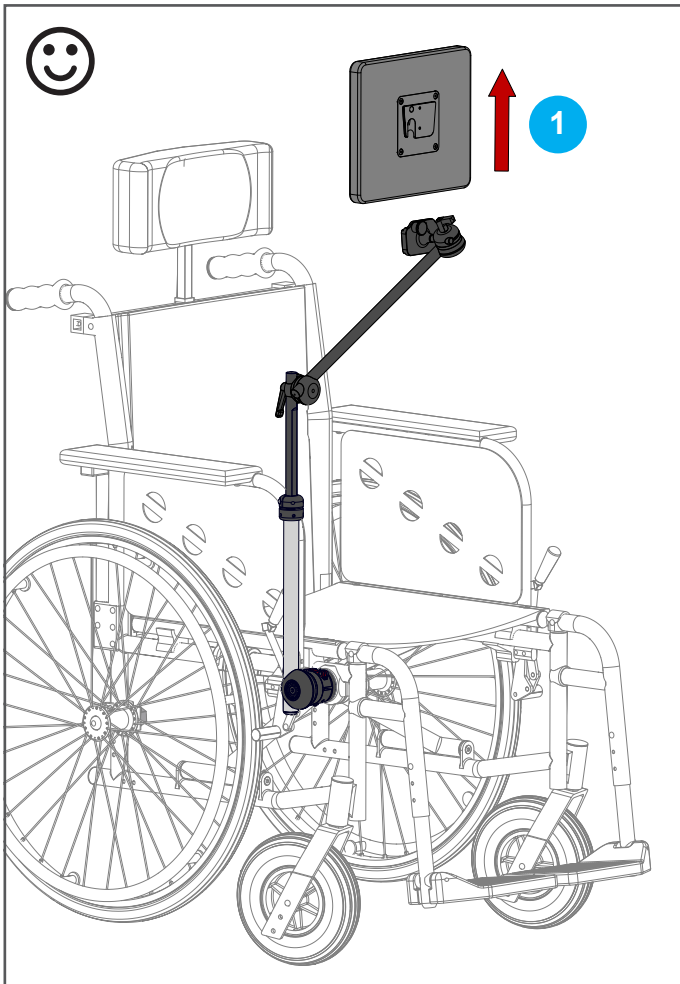
H3D

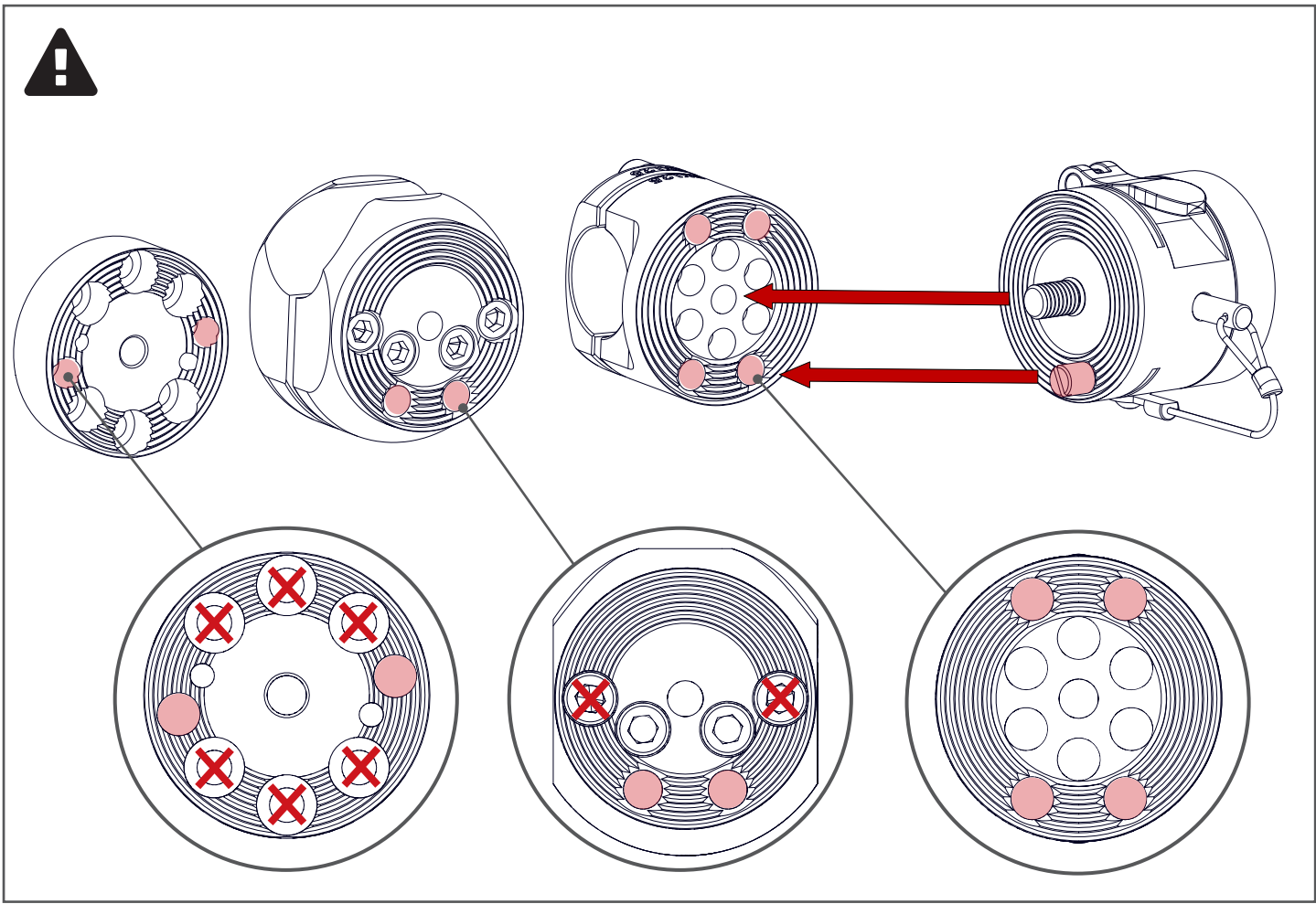
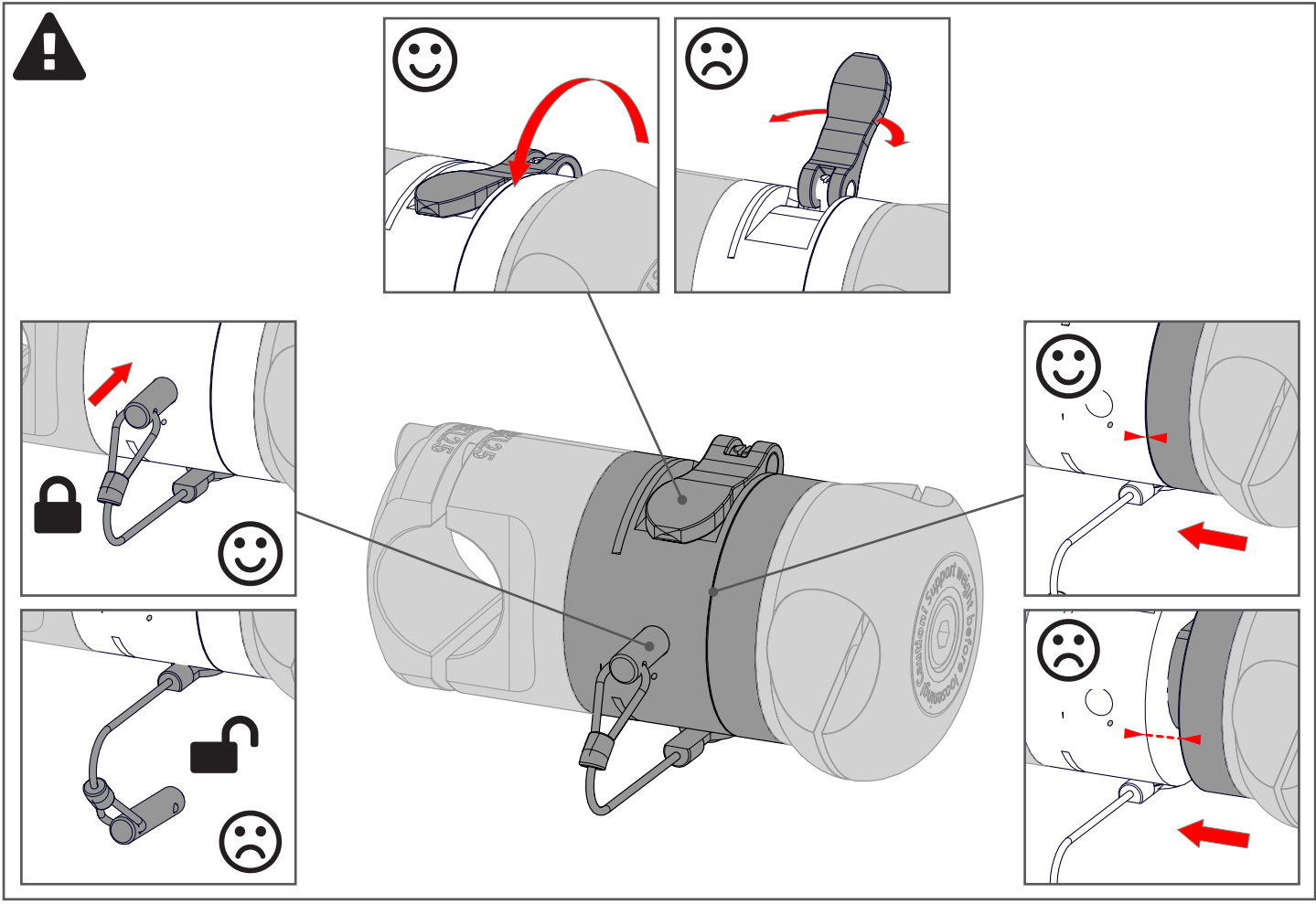
L3D

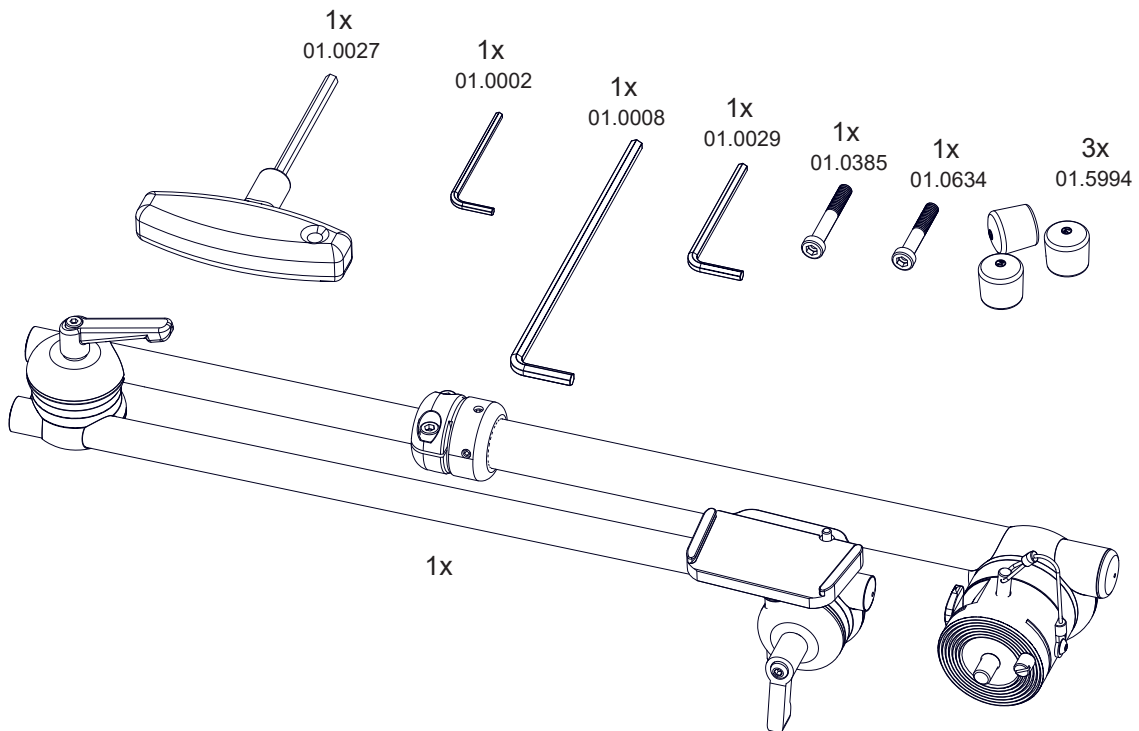
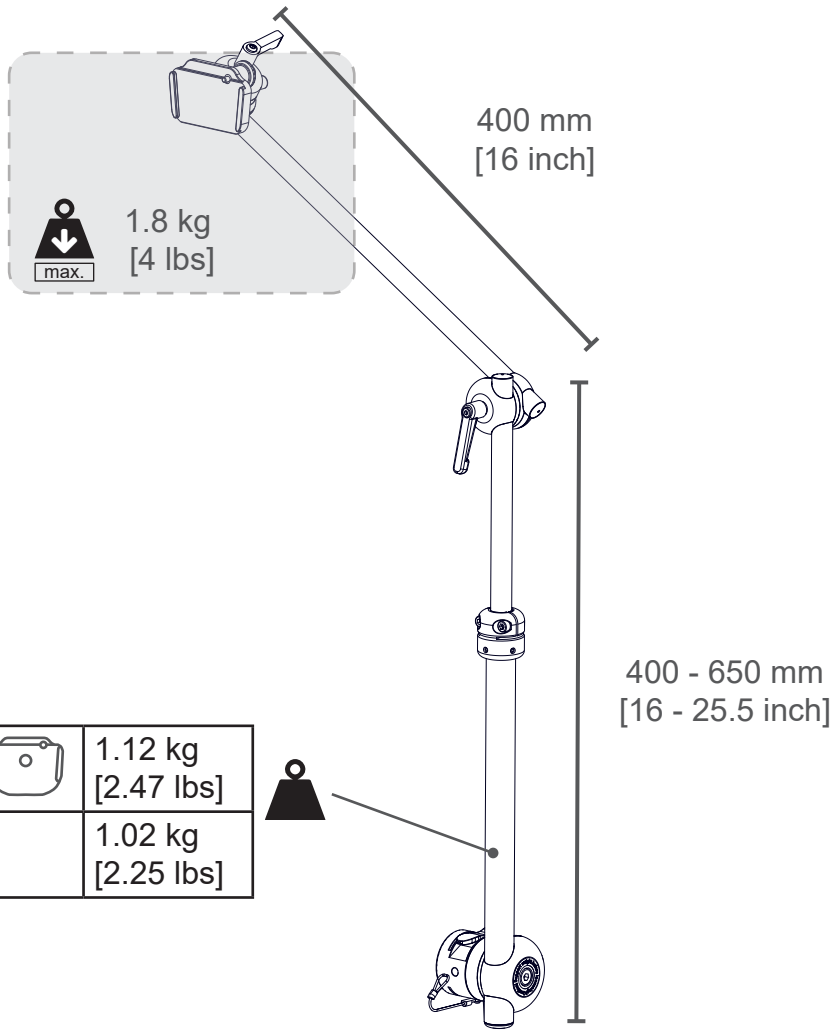
2022-04-31

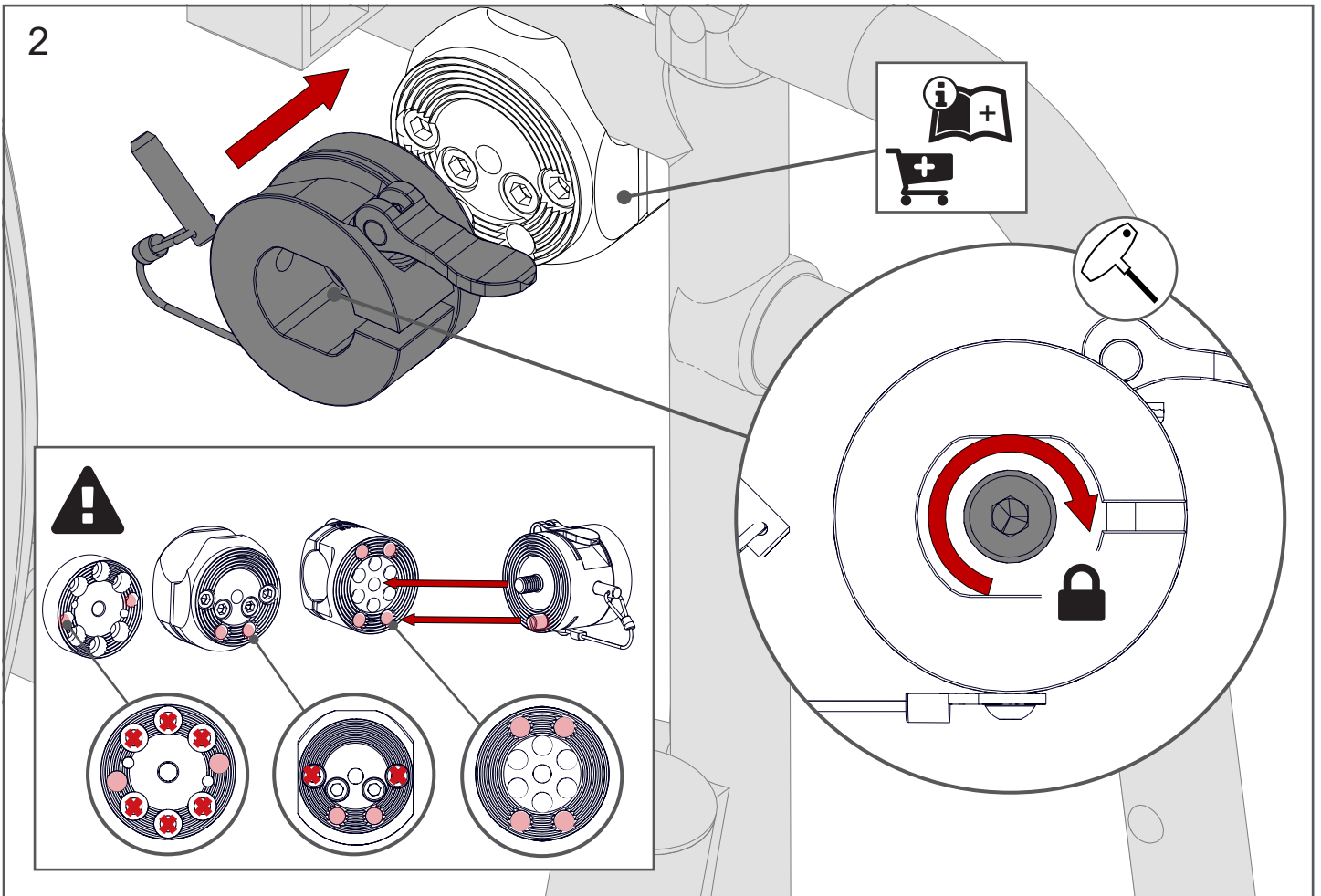
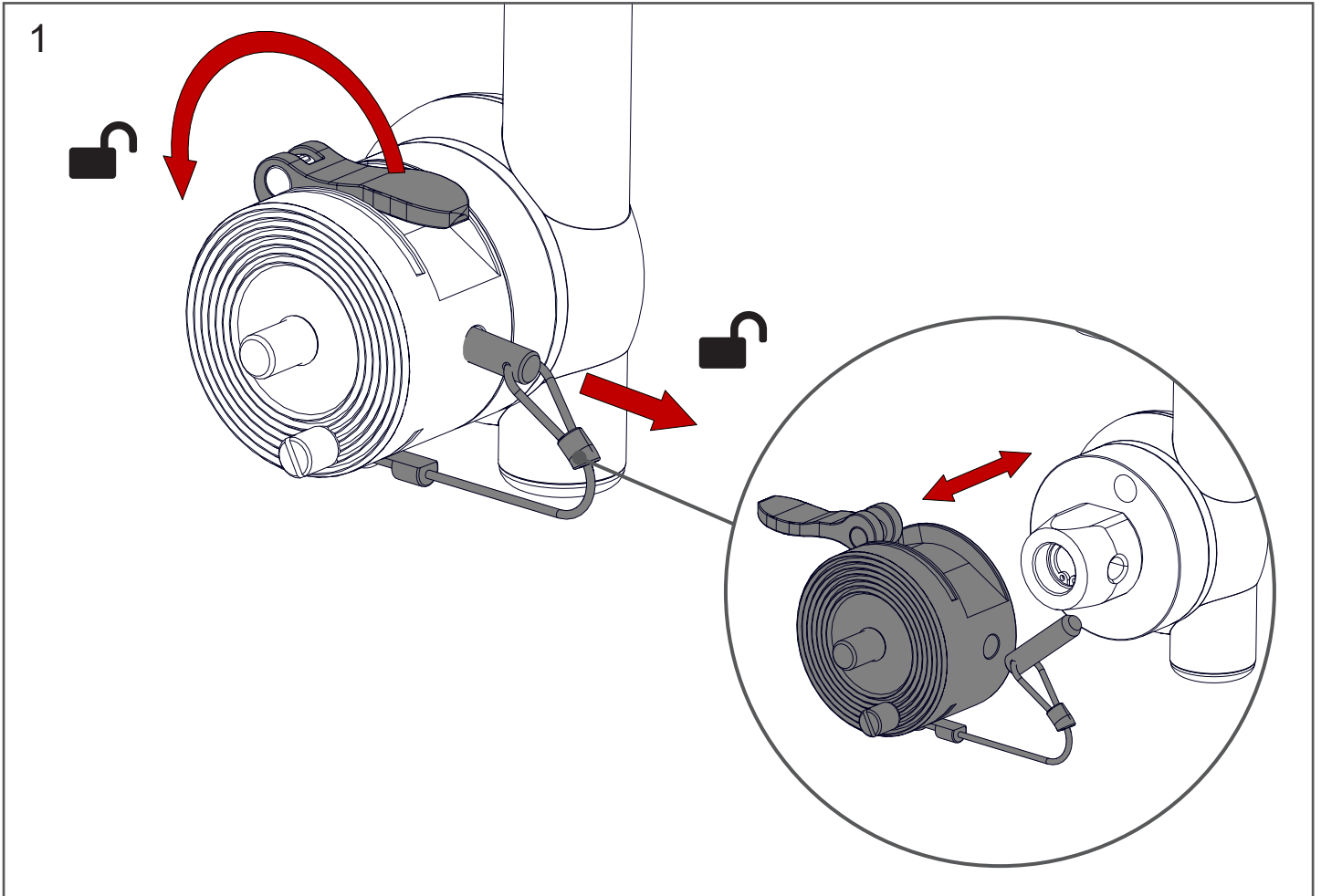
00.5135~A



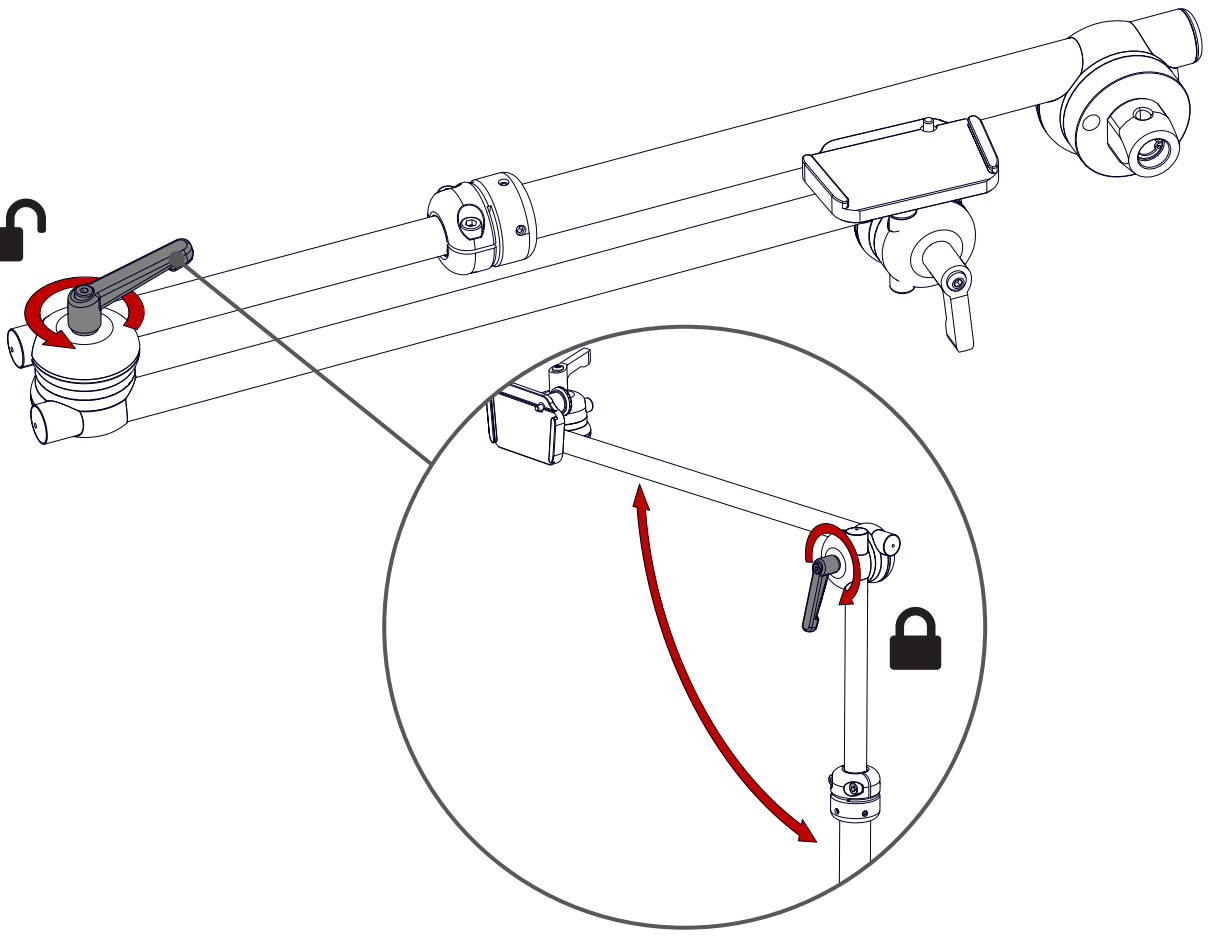




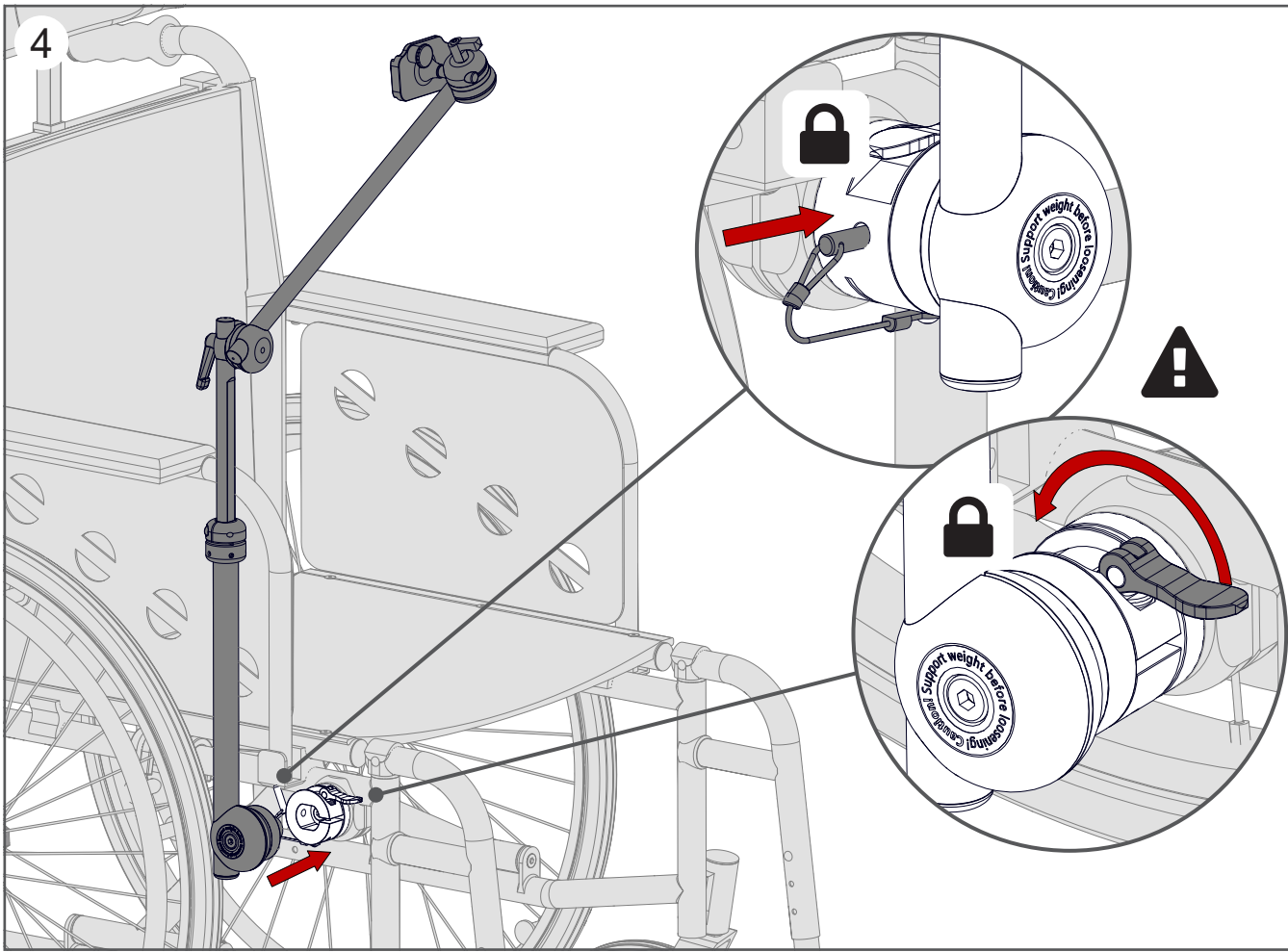




3

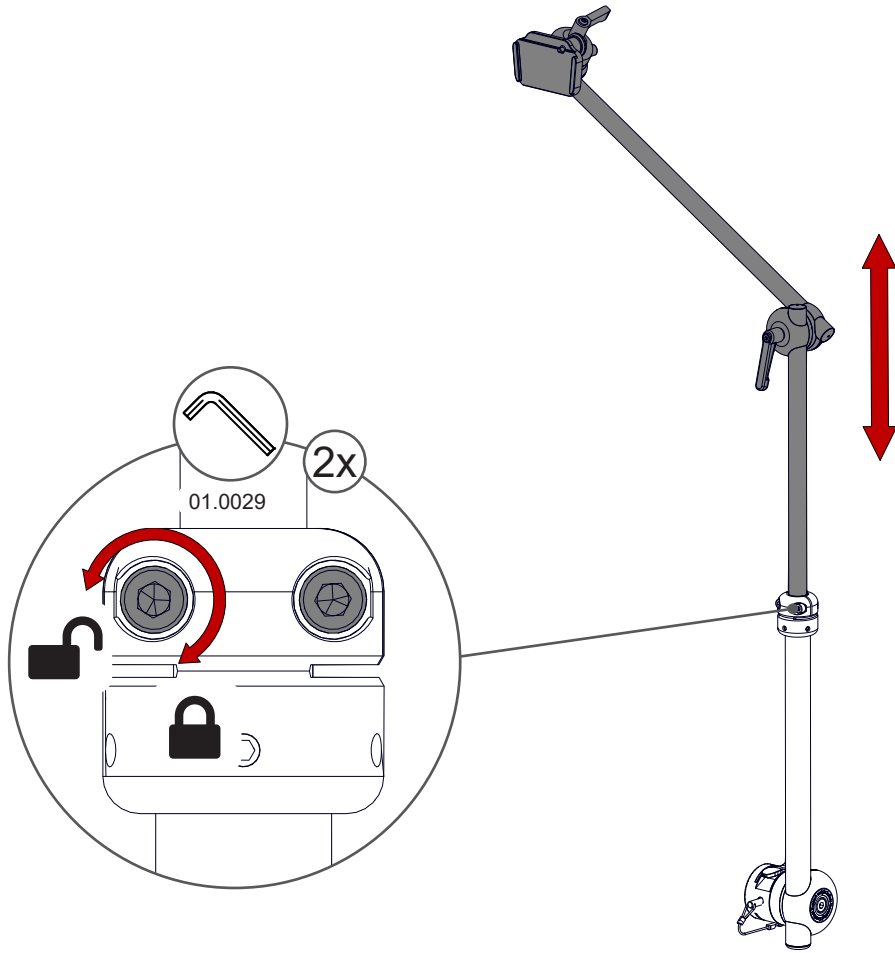


4

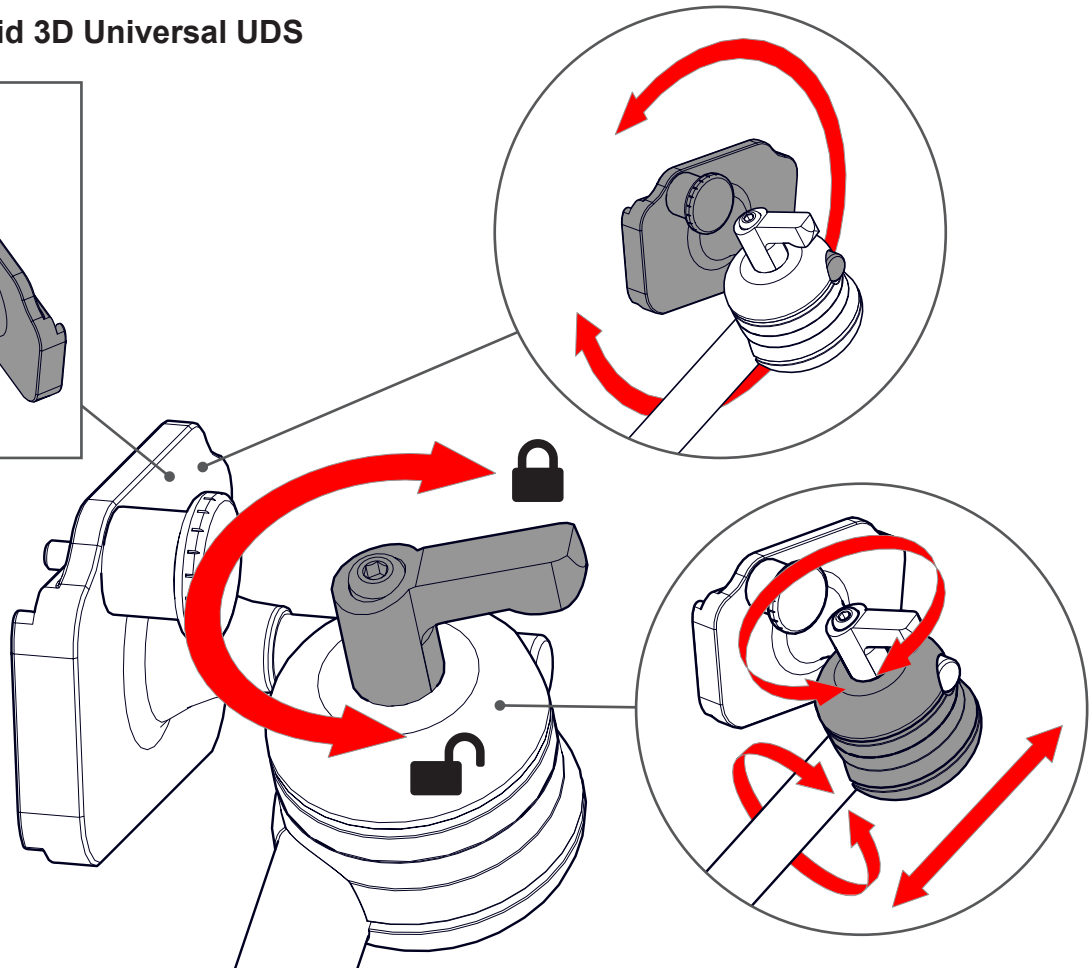
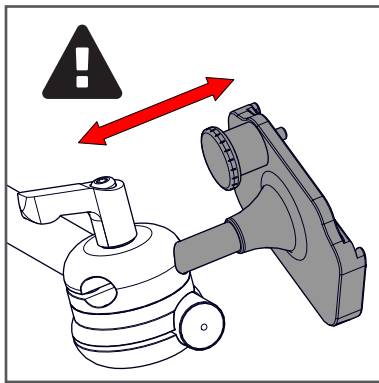


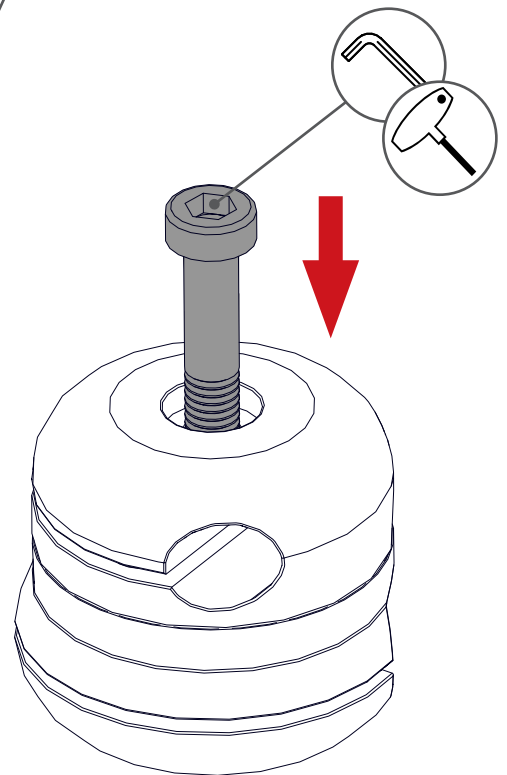
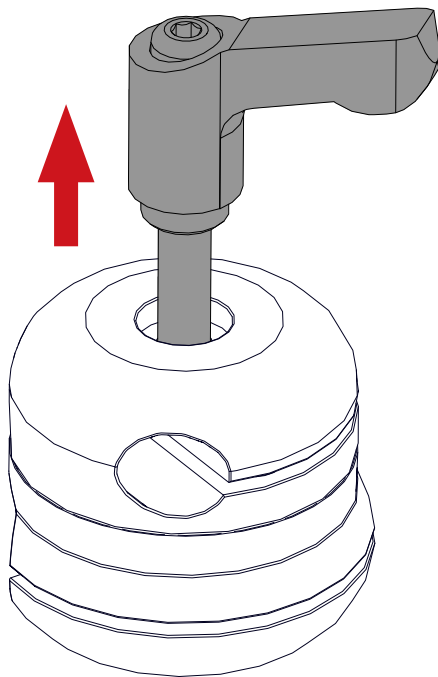
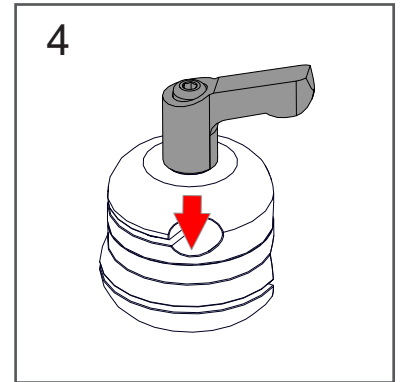
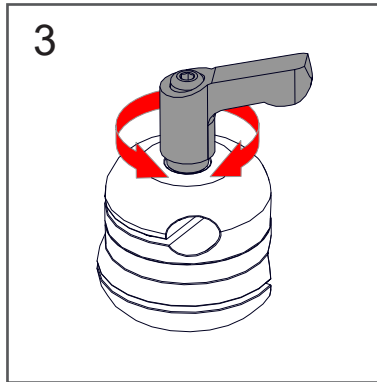
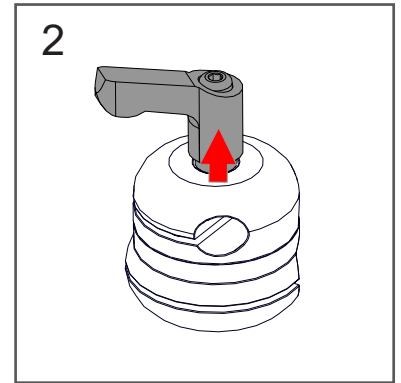
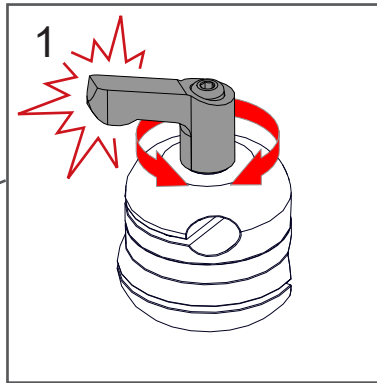
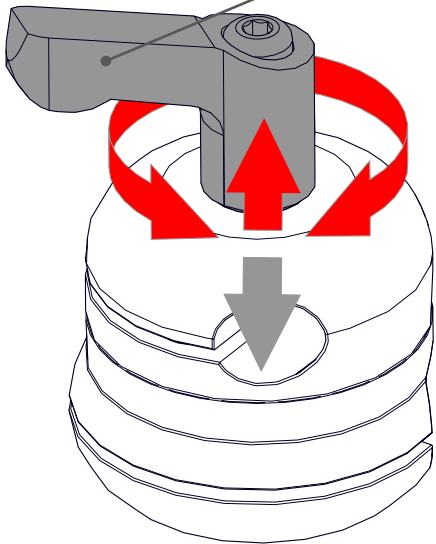
6

5



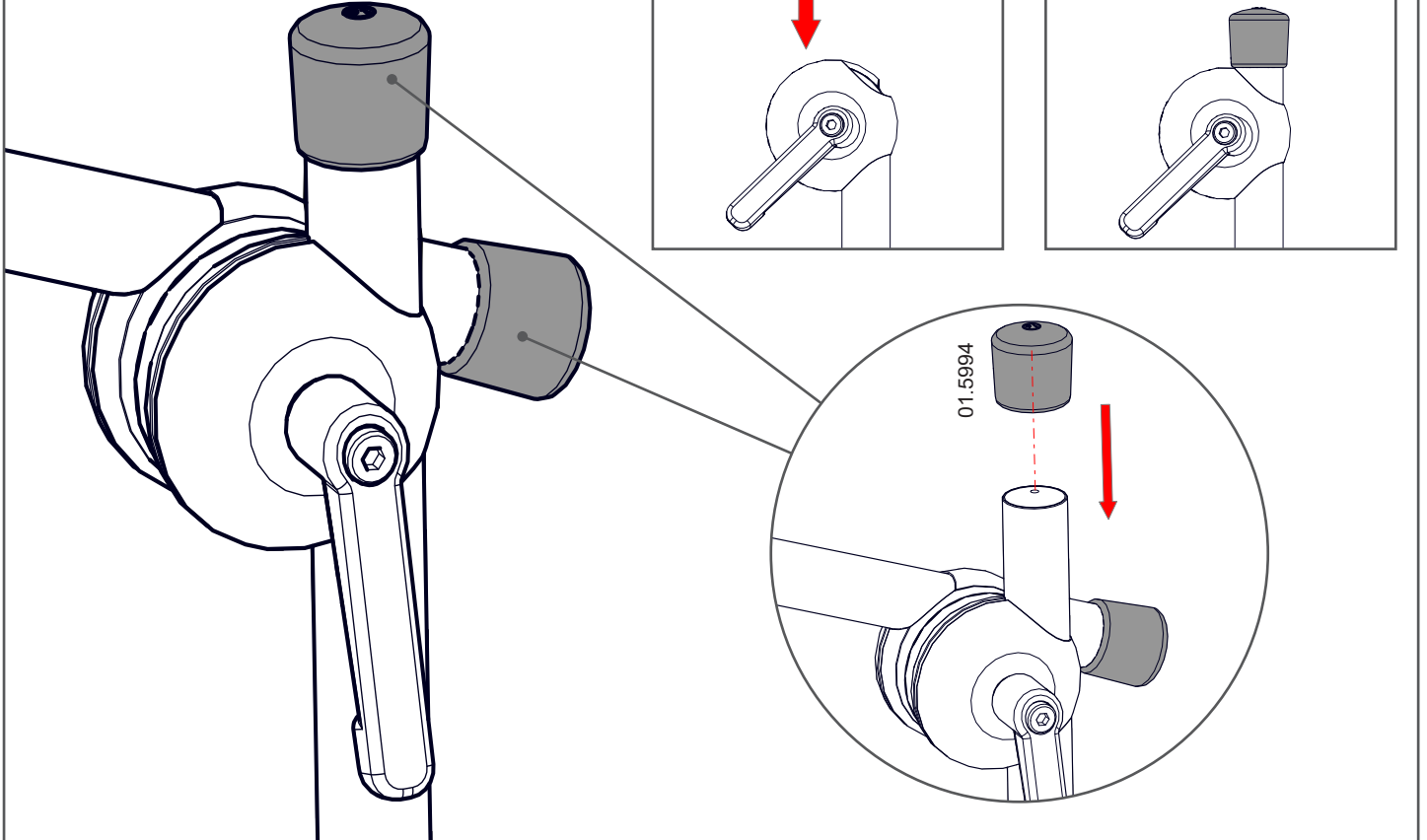
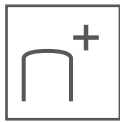
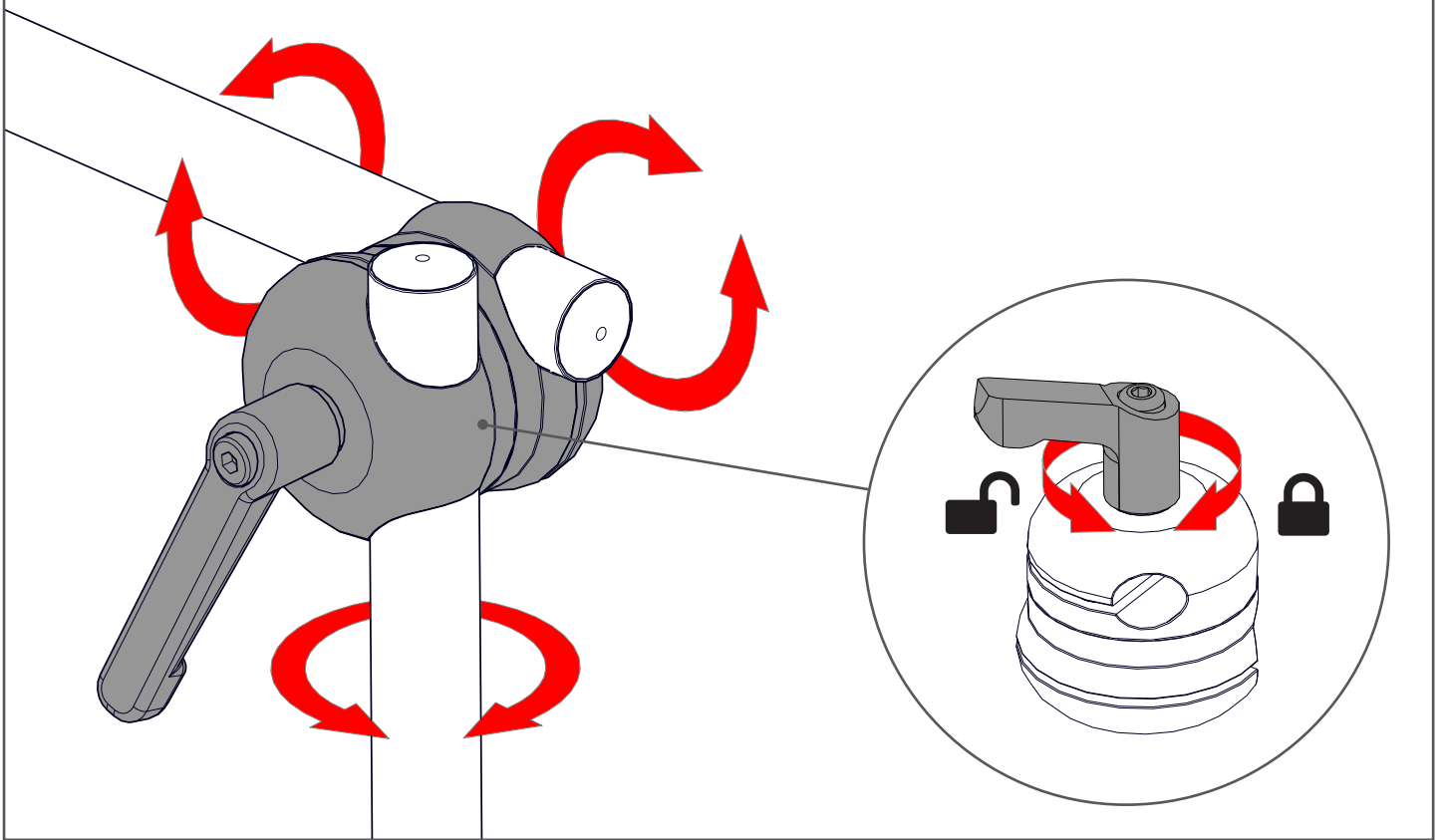
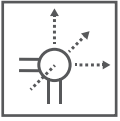
6 13.2011 Hybrid 3D Universal UDS

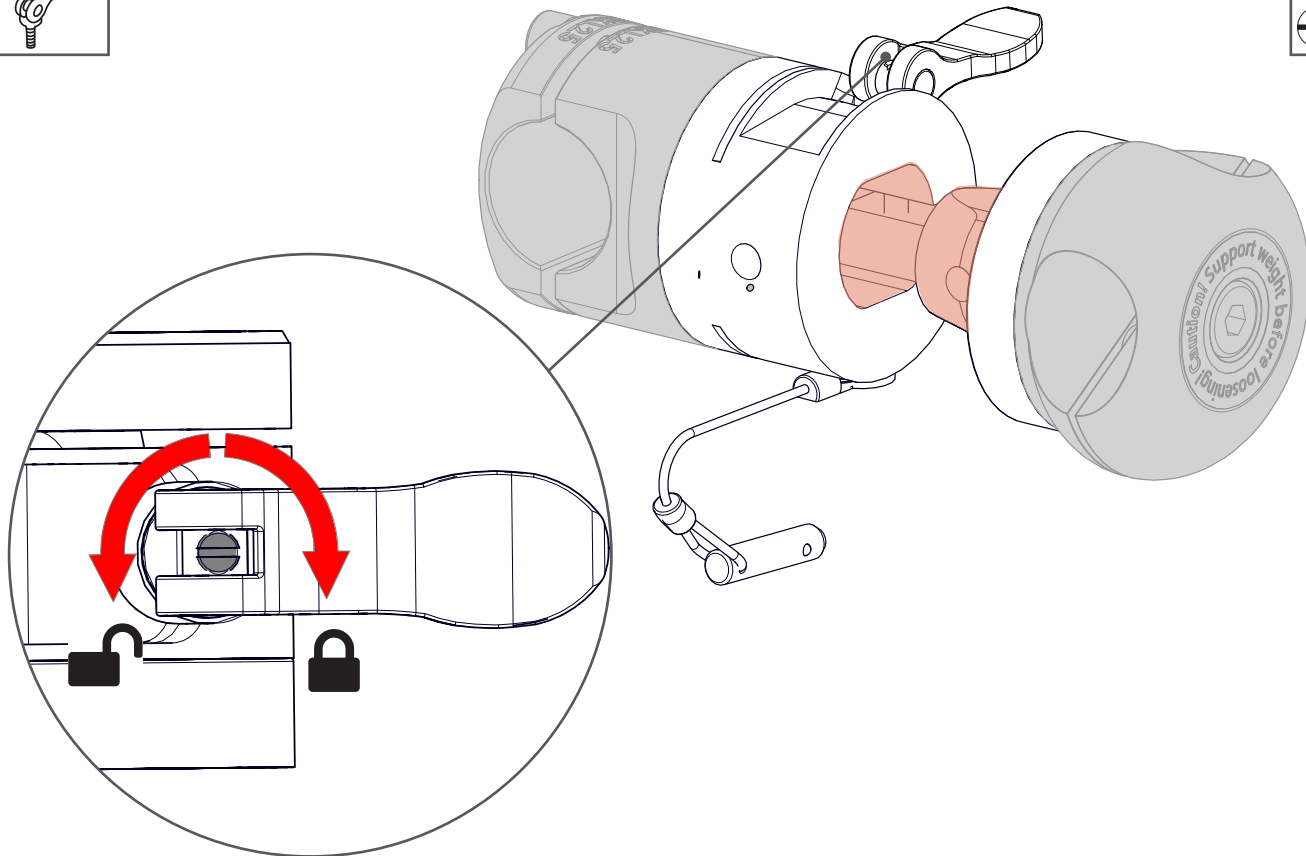
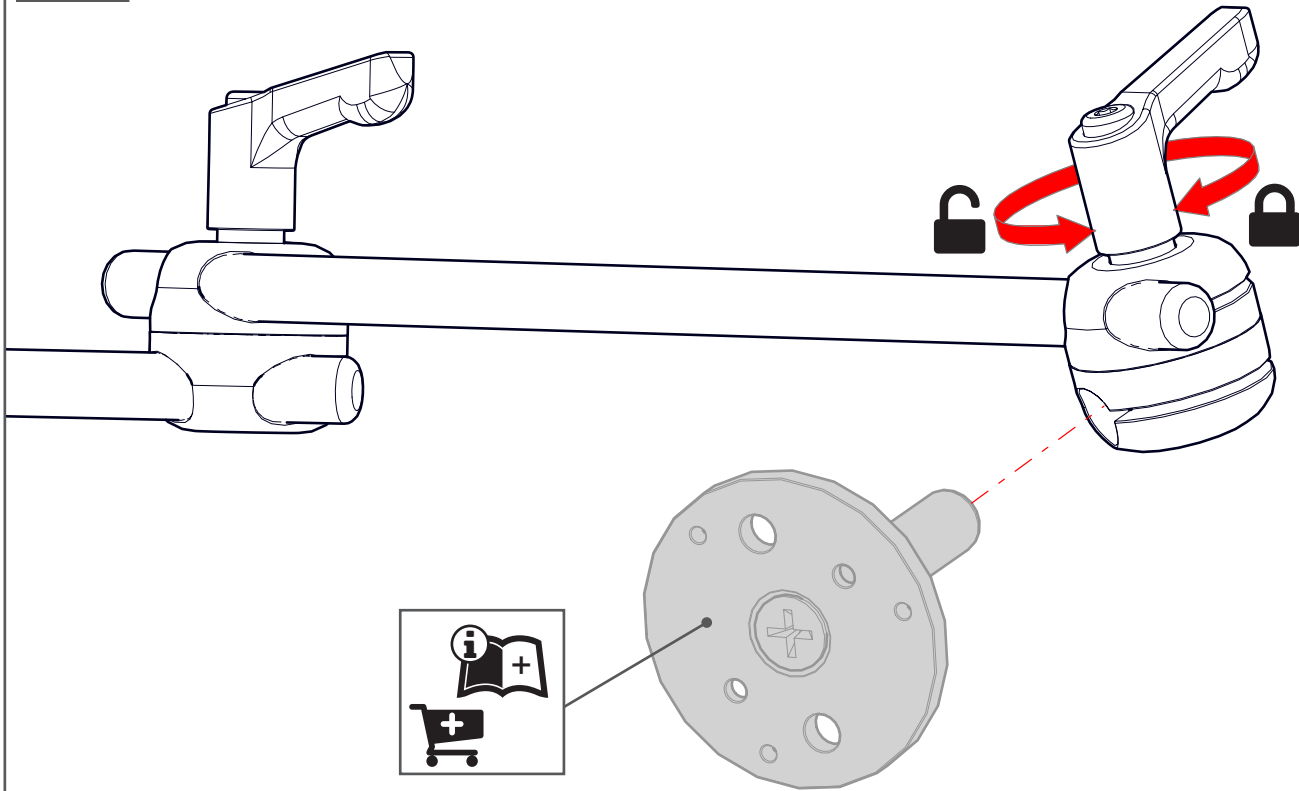


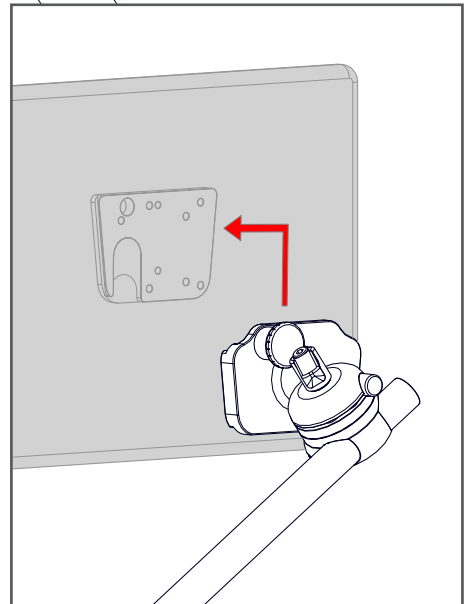
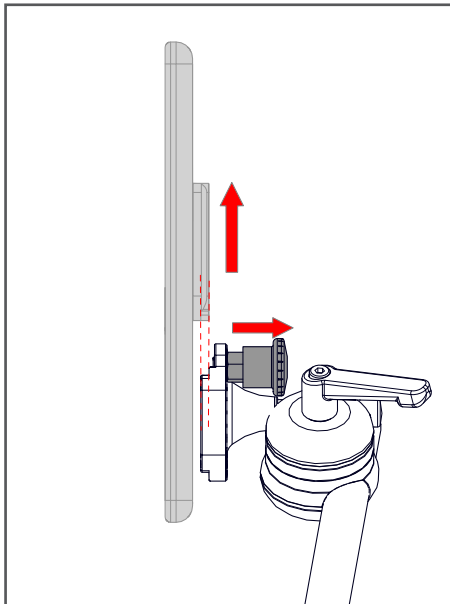
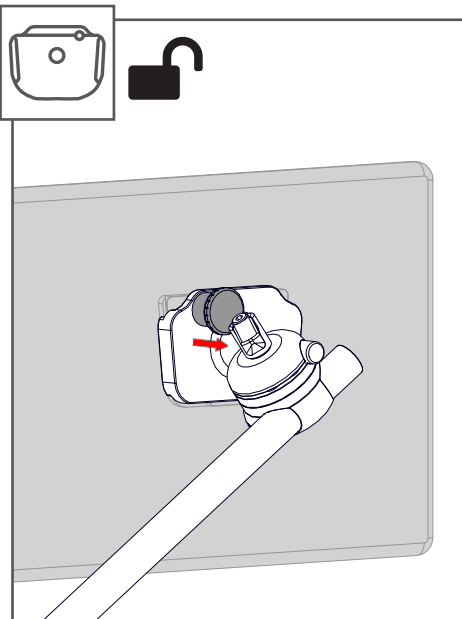
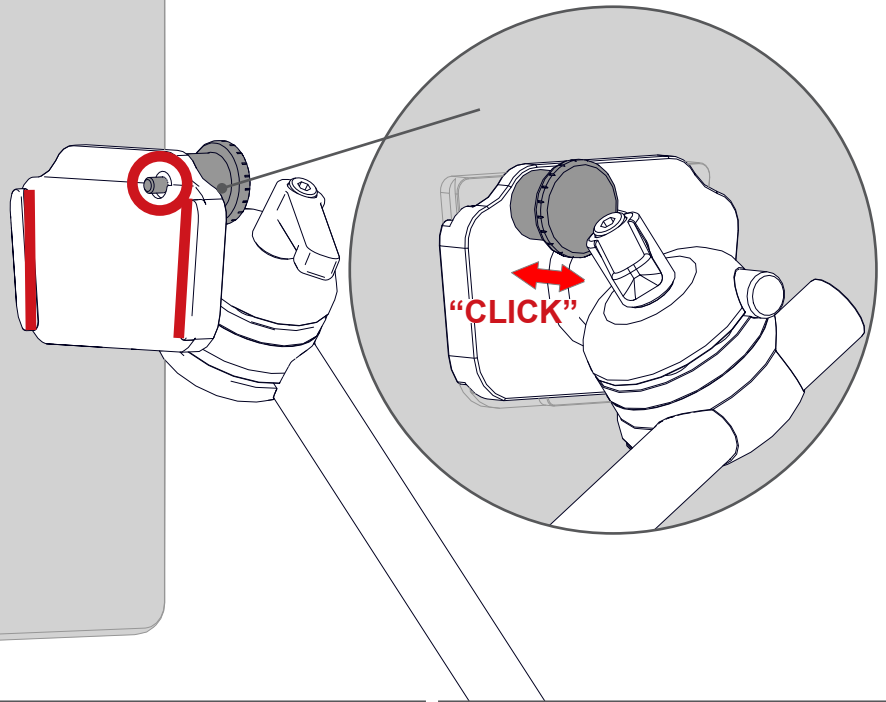
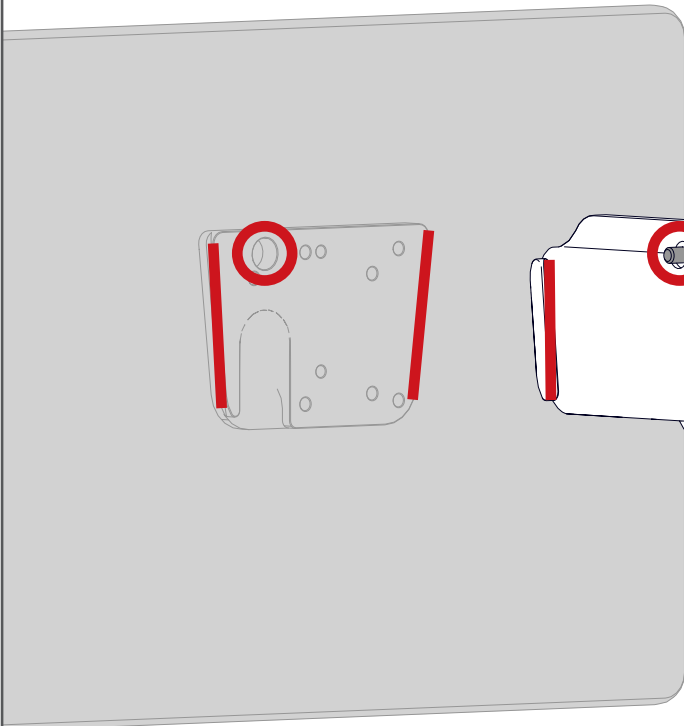
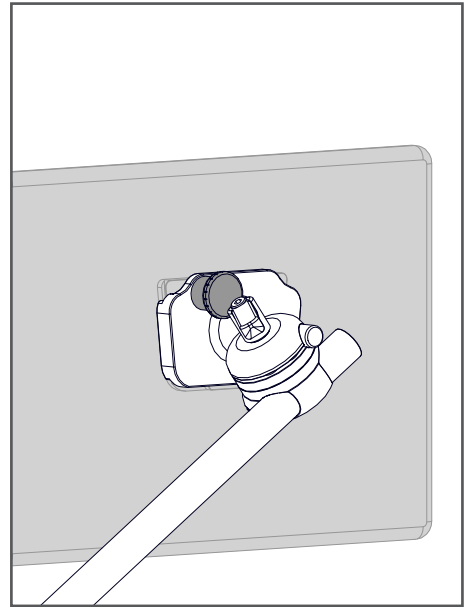
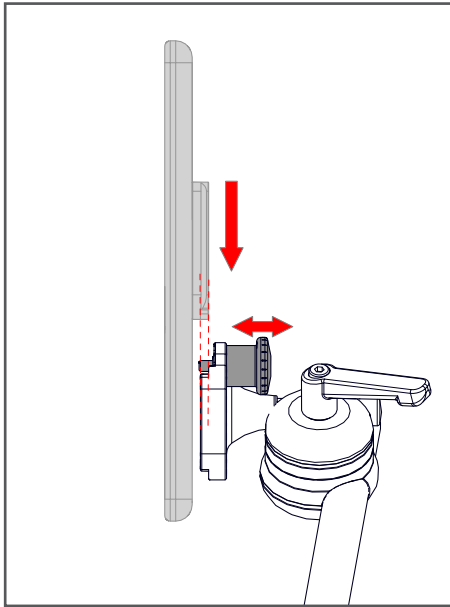
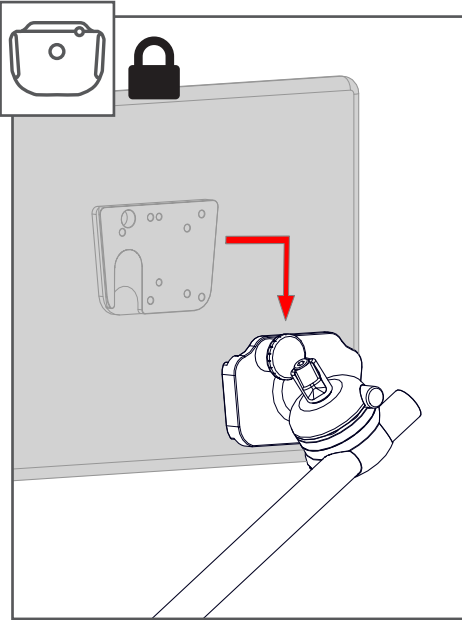


16-16	01.0385
16-10	01.0634



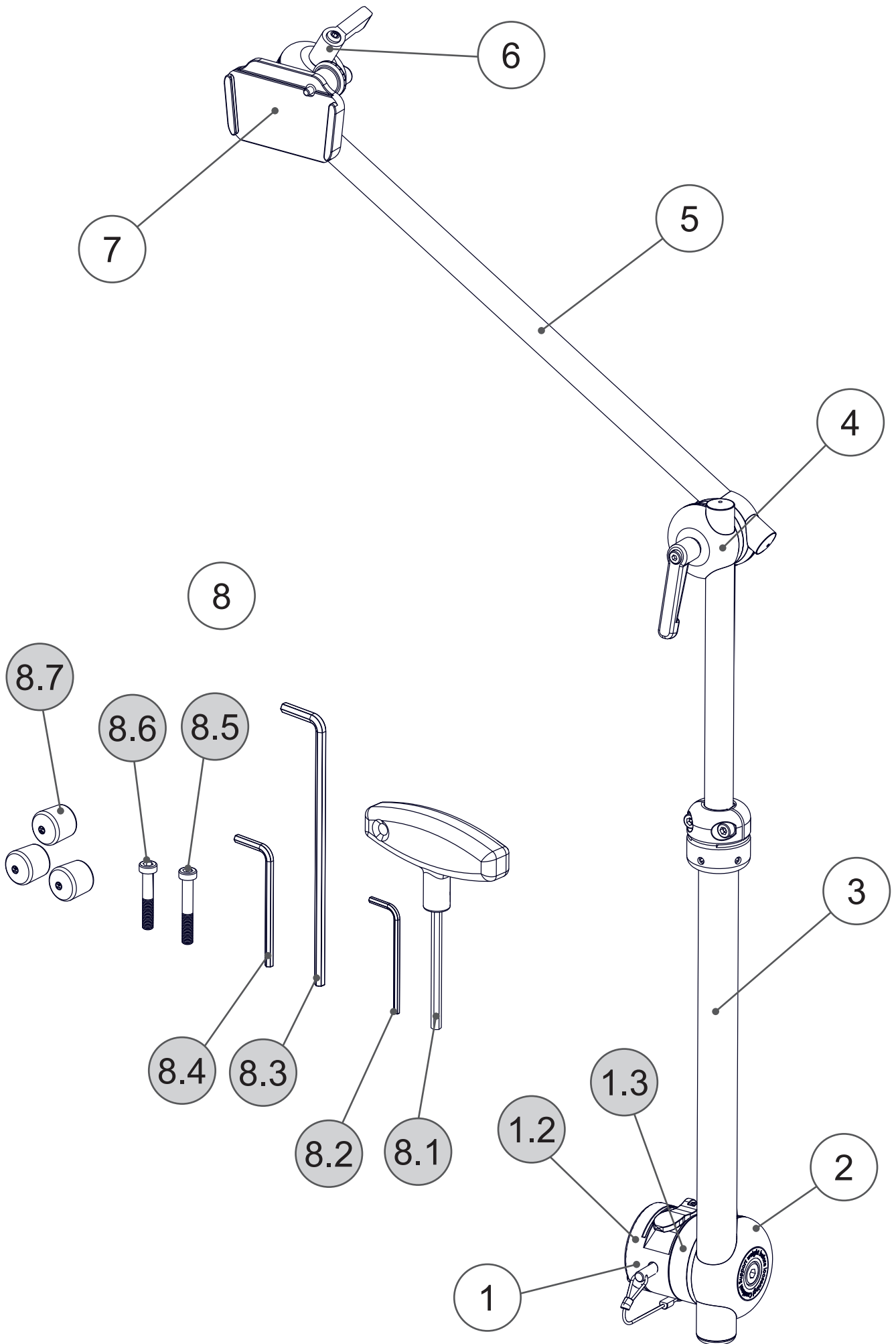








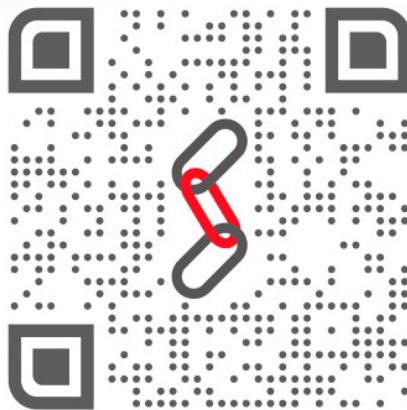




Pos.	No.	Bezeichnung	Description
1	11.1555	M3D Basis Kupplung	M3D Base Coupler
1.1	11.1553	M3D Basis Kupplung Innenteil	M3D Base Coupler Inner Part
1.2	11.1554	M3D Basis Kupplung Außenteil	M3D Base Coupler Outer Part
2	11.1102	M3D Basis Spezial	M3D Tube Socket
3	13.9505	Teleskoprohr Ø22/16x400-650	Telescopic Tube Ø22/16x400-650
4	14.1250	L3D 16/16 QS	L3D 16-16 QS
5	14.9506	Rohr Ø16x400	Tube Ø16x400
6	14.1271	L3D 16/10 SQS	L3D 16-10 SQS
7*	14.1516*	L3D UGA	L3D UDS
8	13.3215BS	Schraubensatz - H3D	Set of bolts - H3D
8.1	01.0027	T-Griff	T-Handle
8.2	01.0002	Innensechskantschlüssel 3mm	Allen wrench 3mm
8.3	01.0008	Innensechskantschlüssel 5mm Lang	Allen wrench 5mm long
8.4	01.0029	Innensechskantschlüssel 4mm	Allen wrench 4mm
8.5	01.0385	Zylinderschraube M6x40	Cylinder head bolt M6x40
8.6	01.0634	Zylinderschraube M6x35	Cylinder head bolt M6x35
8.7	01.5994	Abrutschkappe Ø16mm schwarz	Restraining cap Ø16mm black

\*13.2011 **H3D Universal UDS**





Rehadapt Engineering  
GmbH & Co. KG

📄 Heinrich-Hertz-Str. 104  
34123 Kassel, Germany

☎ Tel.: +49 561 220 717 0  
📠 Fax: +49 561 220 717 99

✉ officeteam@rehadapt.com  
🌐 <https://rehadapt.com>



Rehadapt  
North America

📄 40 Oser Ave, Suite 40-01  
Hauppauge, NY 11788

☎ Tel.: 1 (888) 635-6962  
📠 Fax: 1 (888) 635-6962

✉ officeteam.na@rehadapt.com  
🌐 <https://rehadapt.com>