

Floorstand

• 17.1061 FS VarioLock

Sicherheitshinweise
Safety Instructions

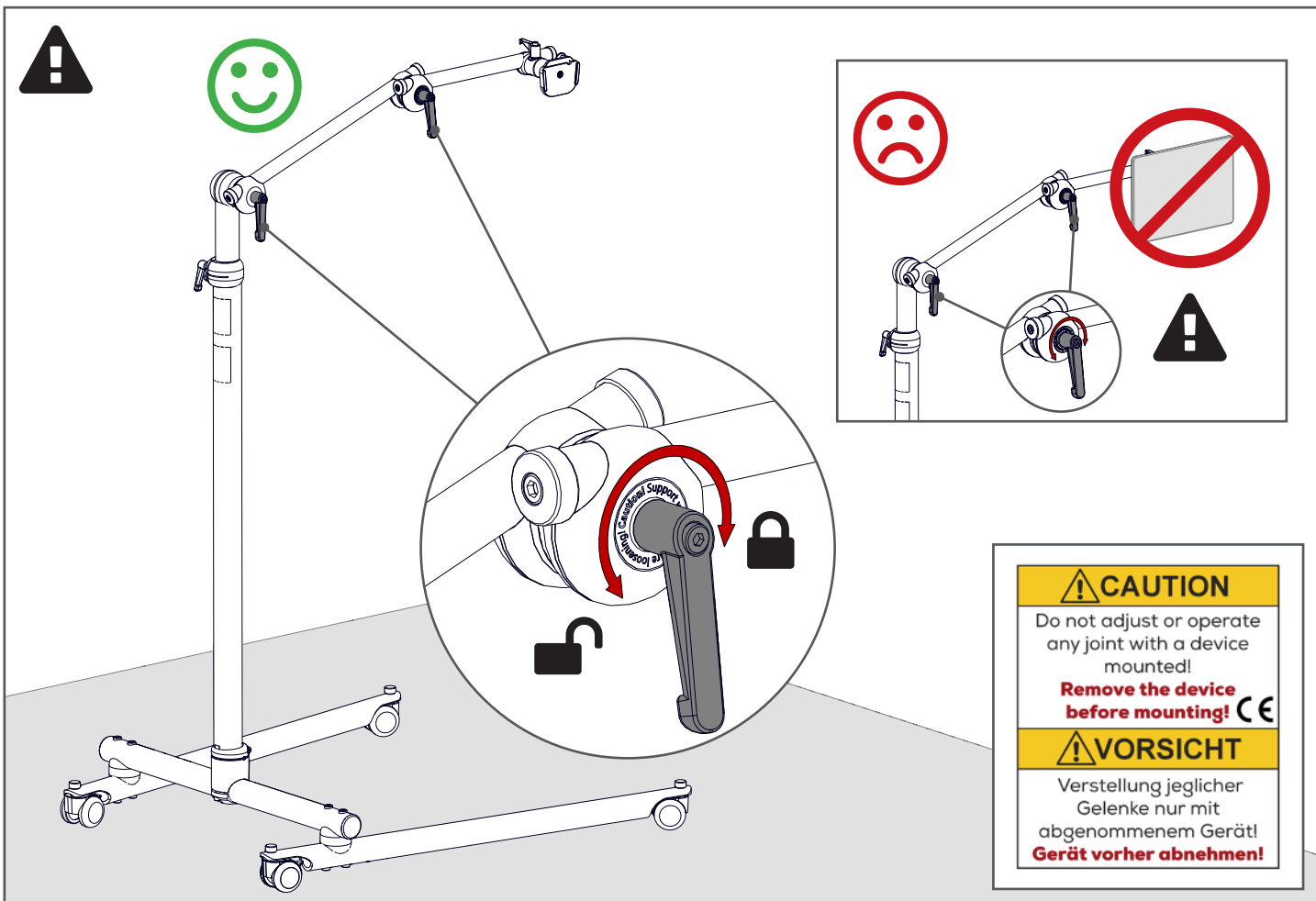
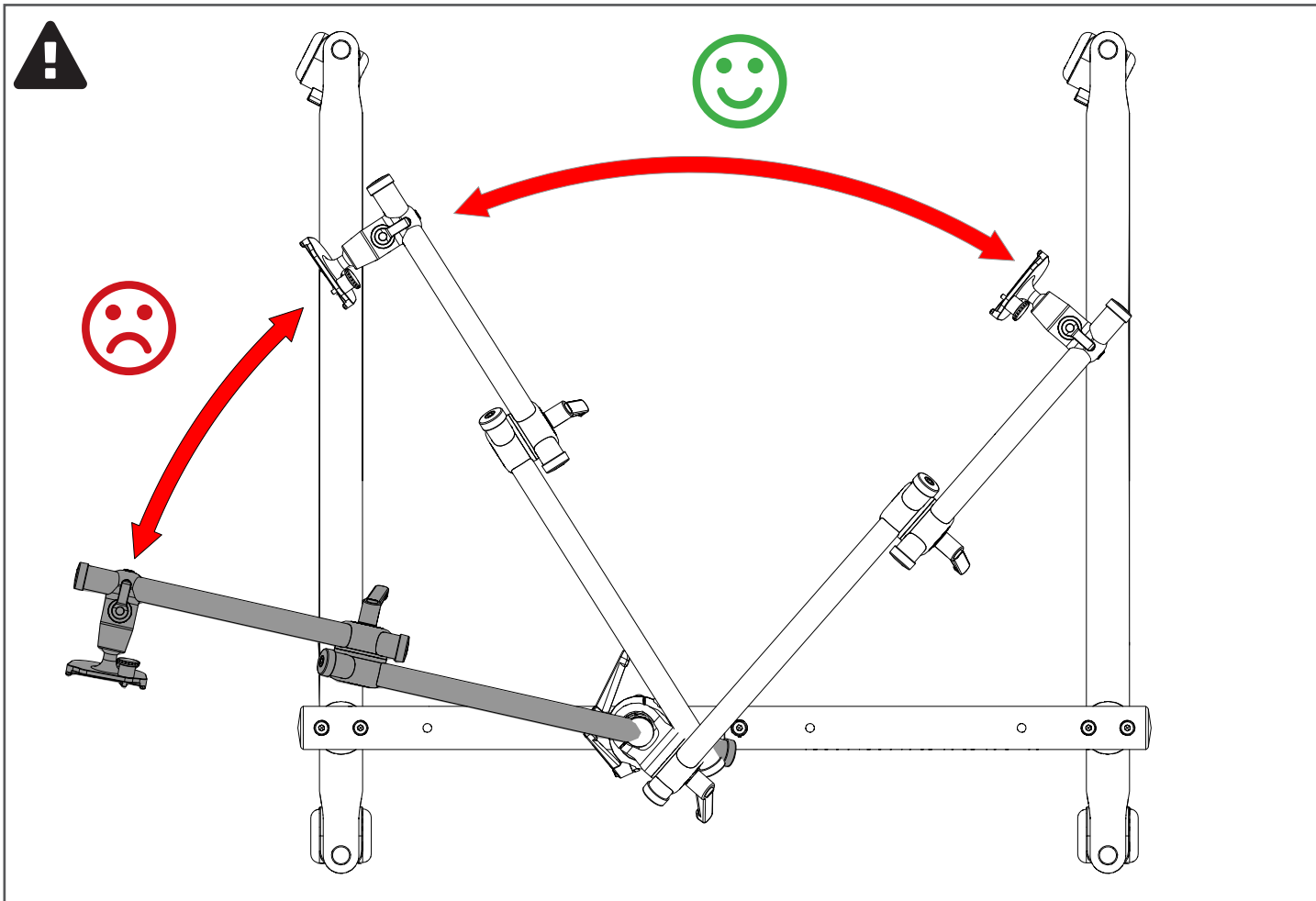


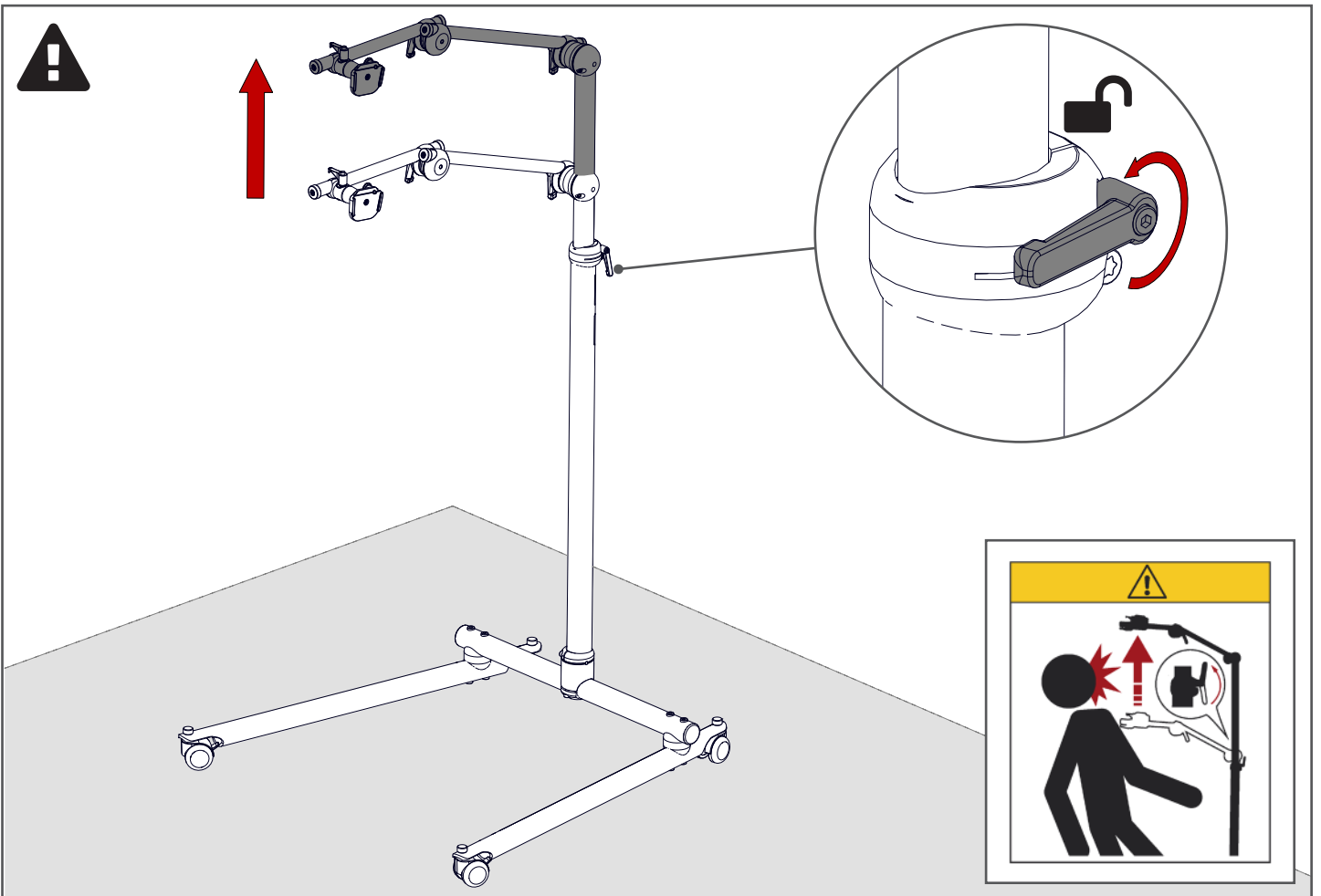
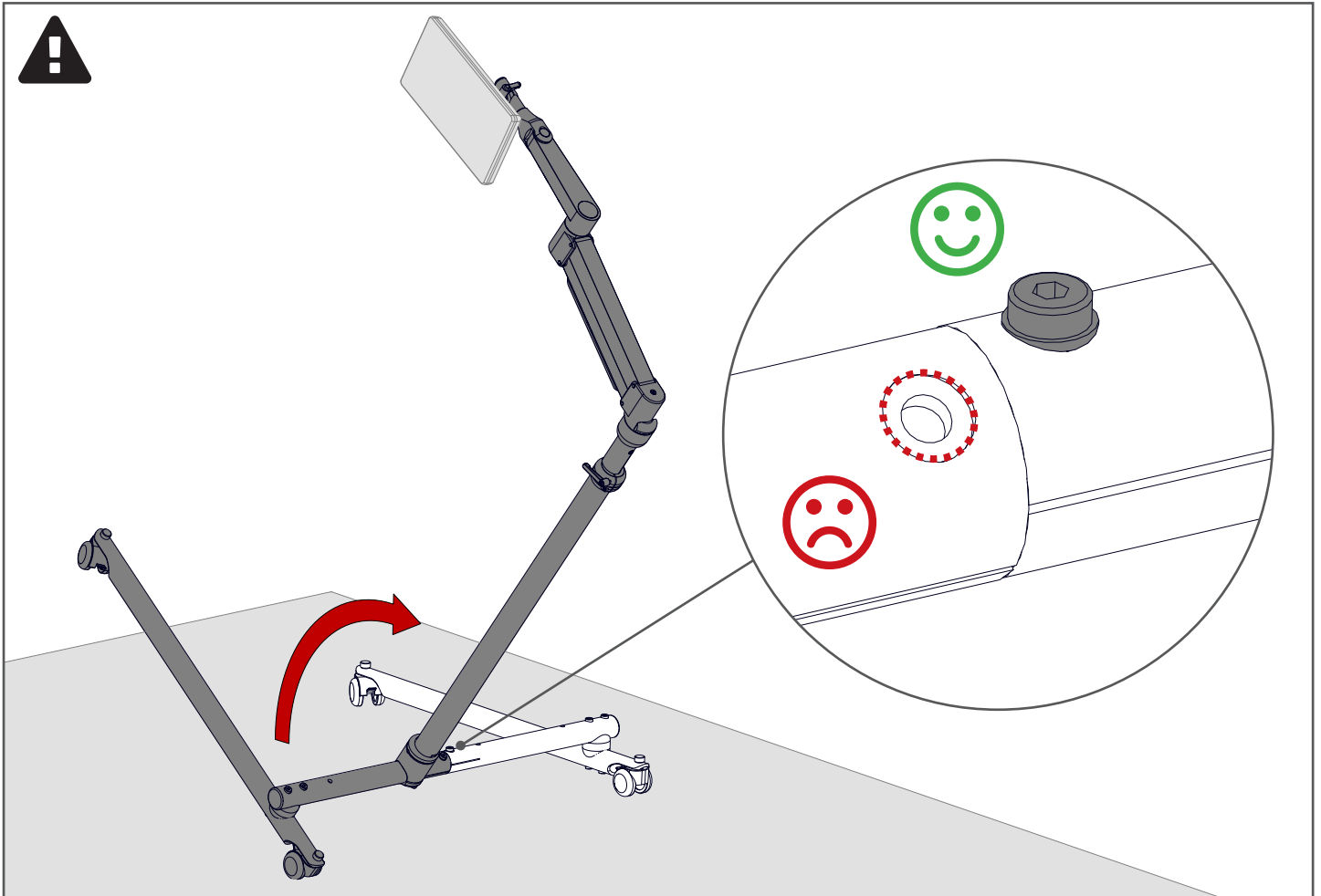
Montage
Assembly Instructions

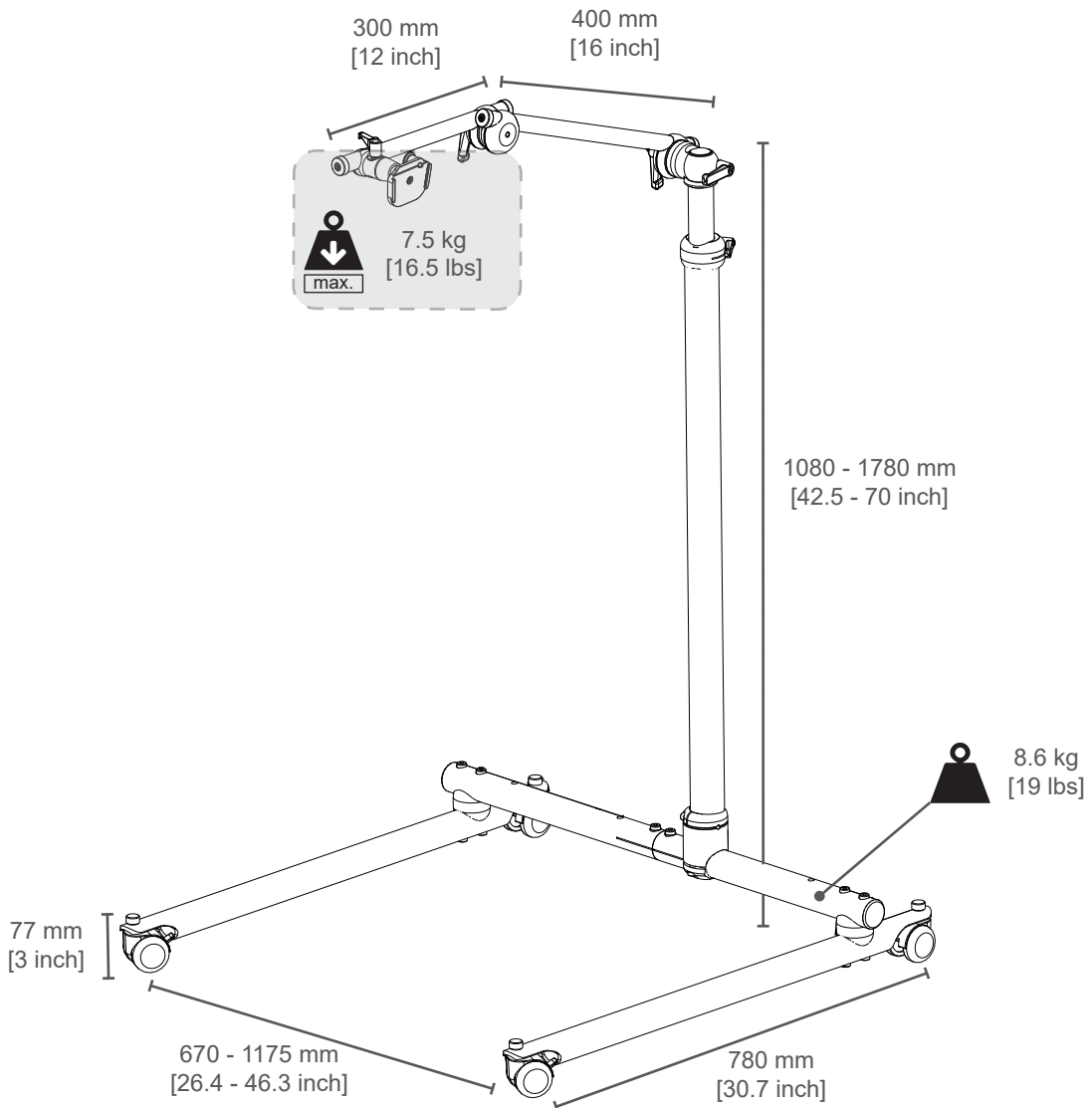


Handhabung
Handling

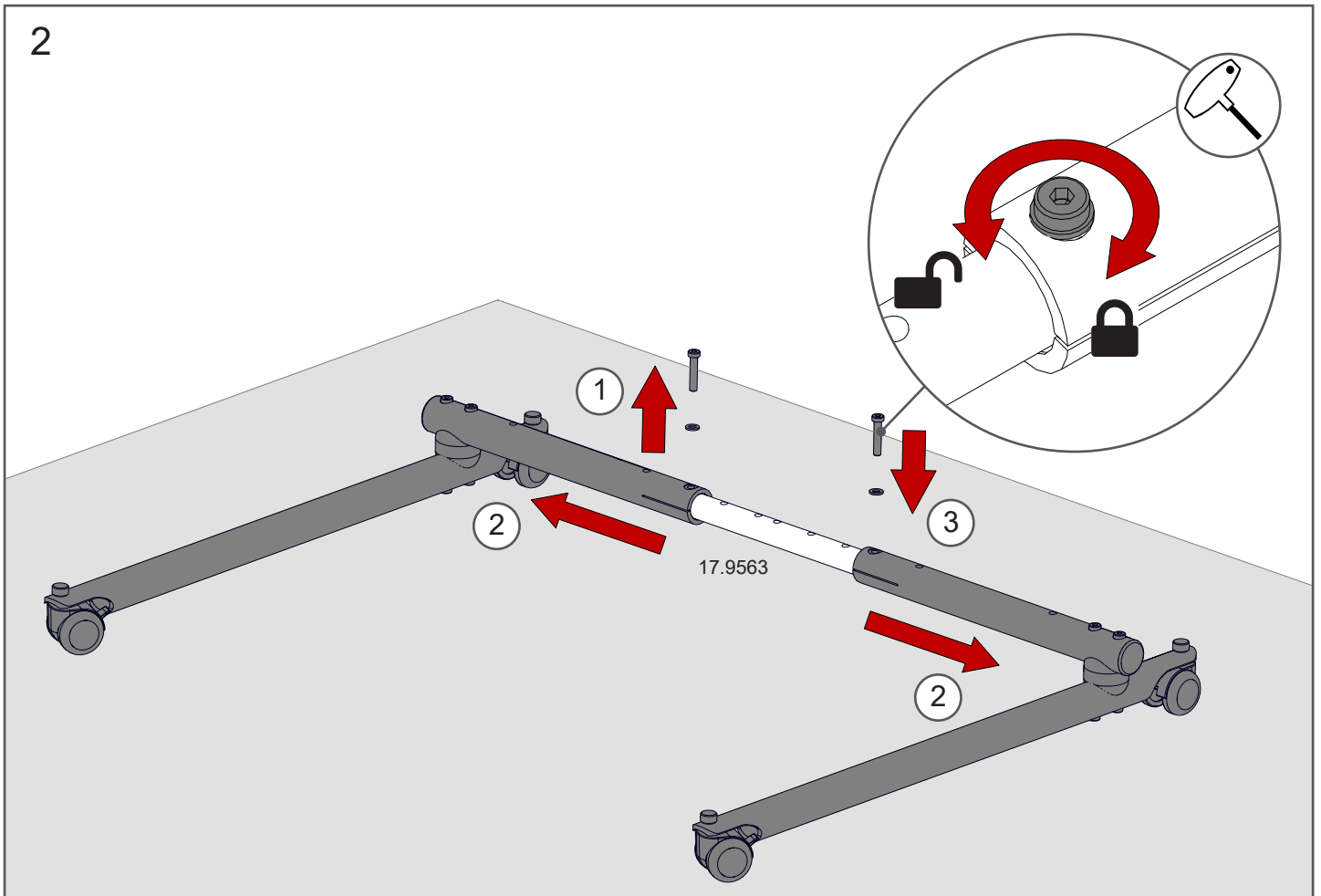
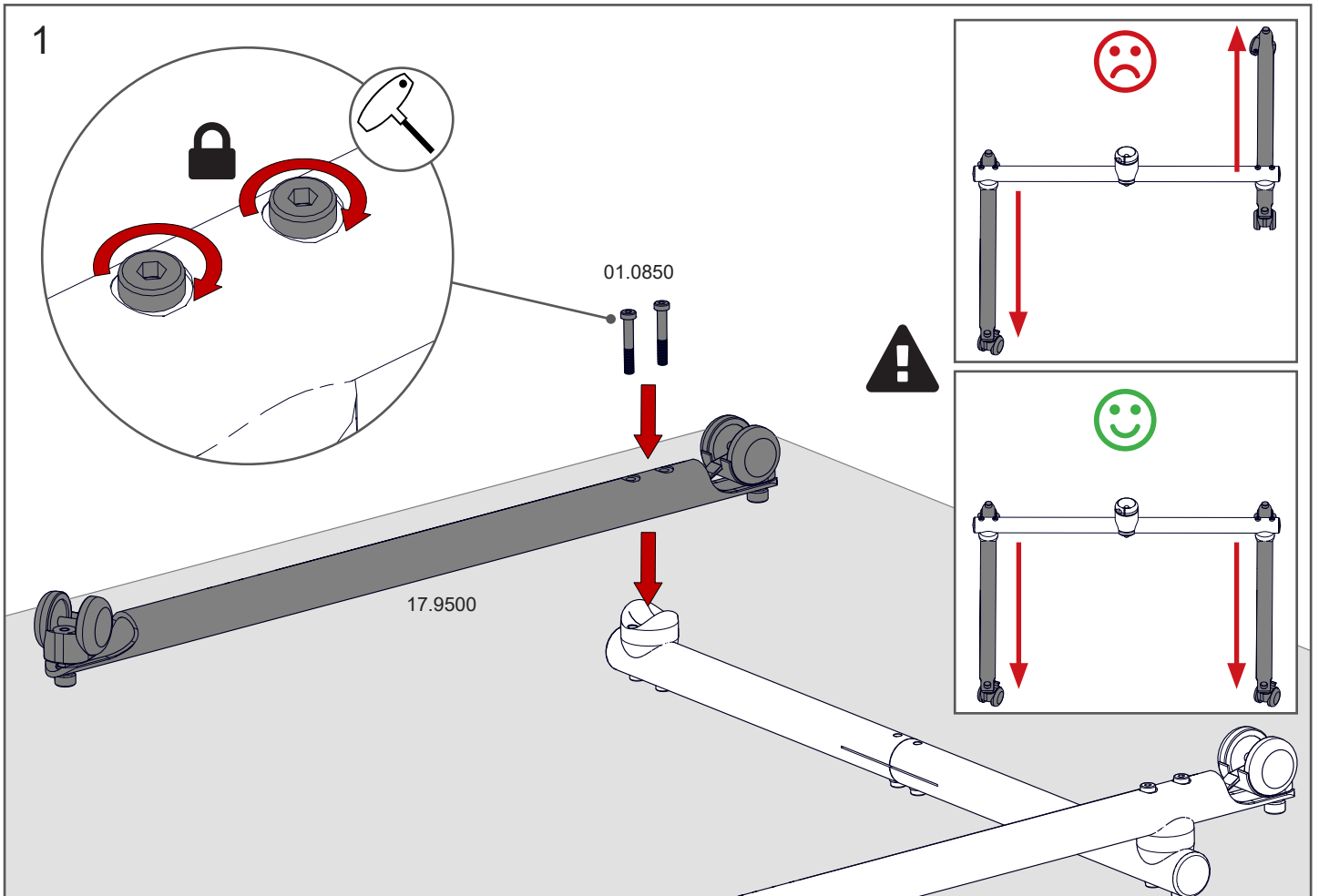


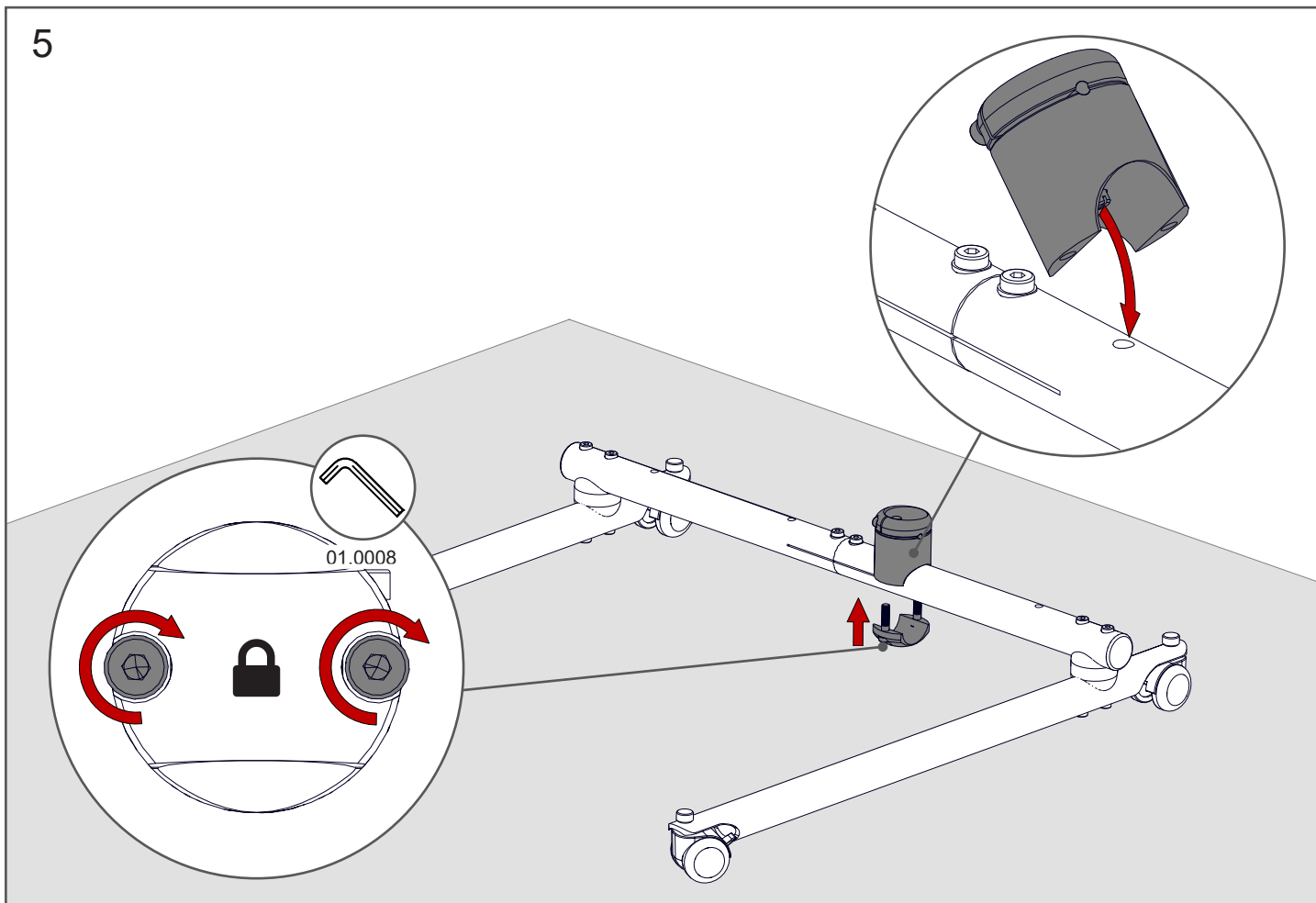
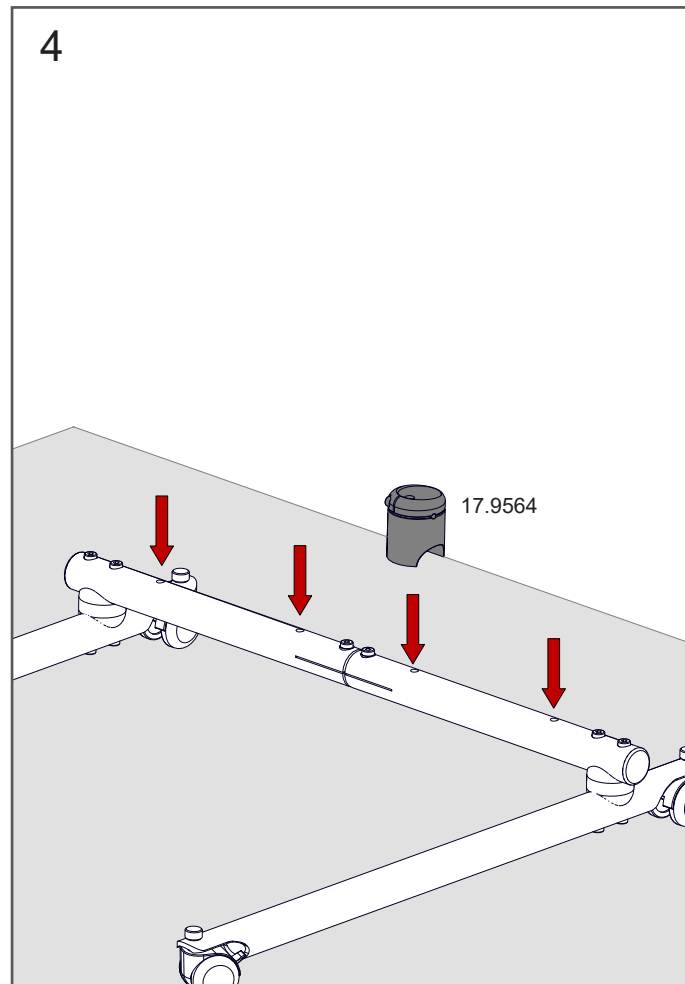
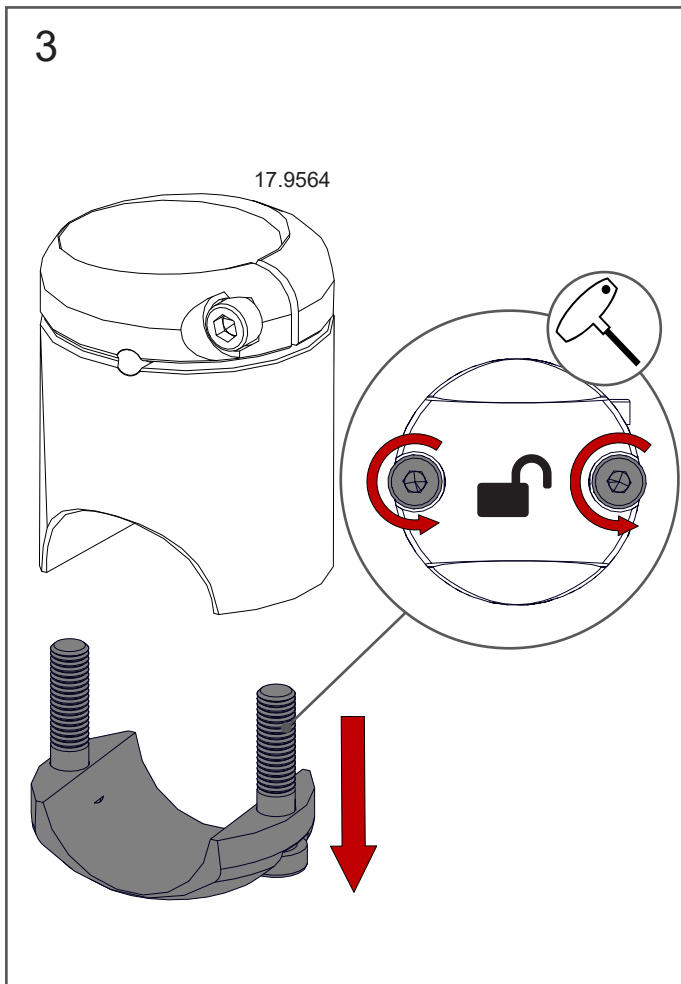




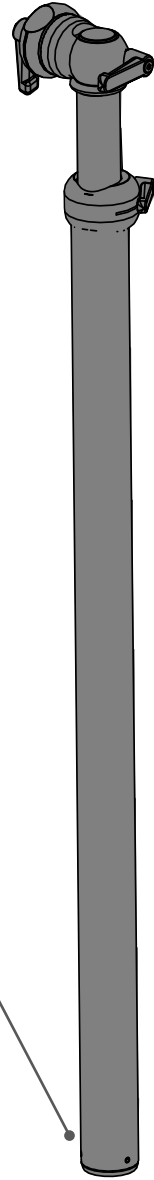
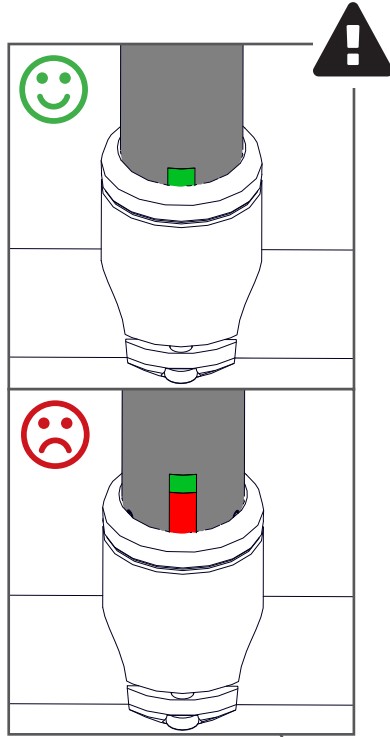
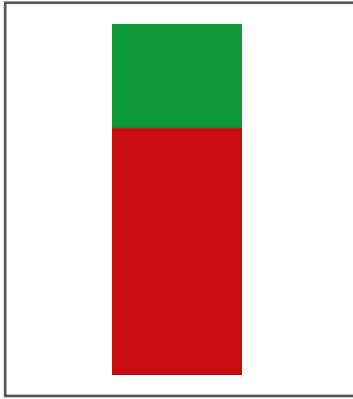


- 1x 17.9510
- 1x 17.9564
- 1x 16.1051
- 6x 01.0850
- 1x 01.0835
- 1x 17.9563
- 1x 01.0008
- 1x 01.0620
- 2x 17.9500
- 1x 01.0025
- 1x 17.9561QP
- 1x 01.0027

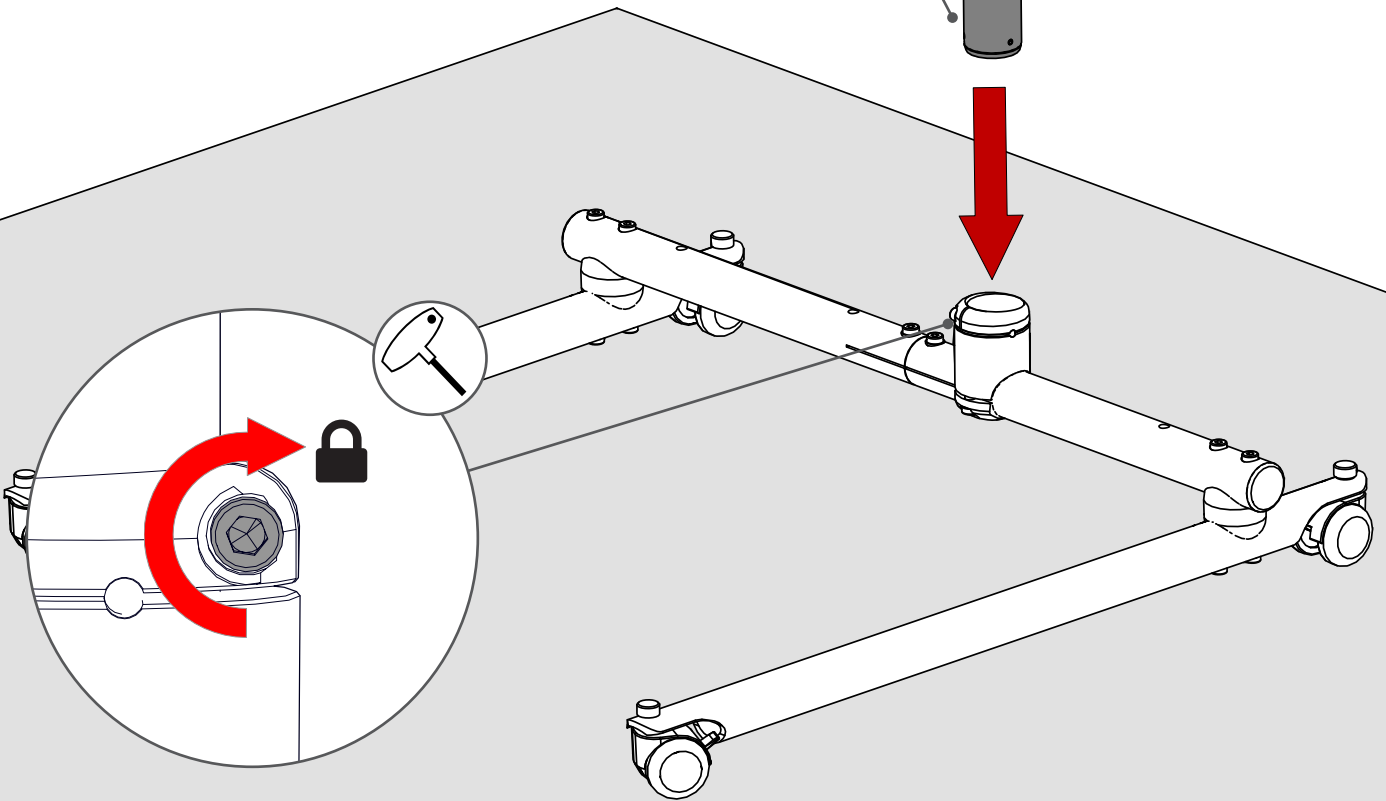




6

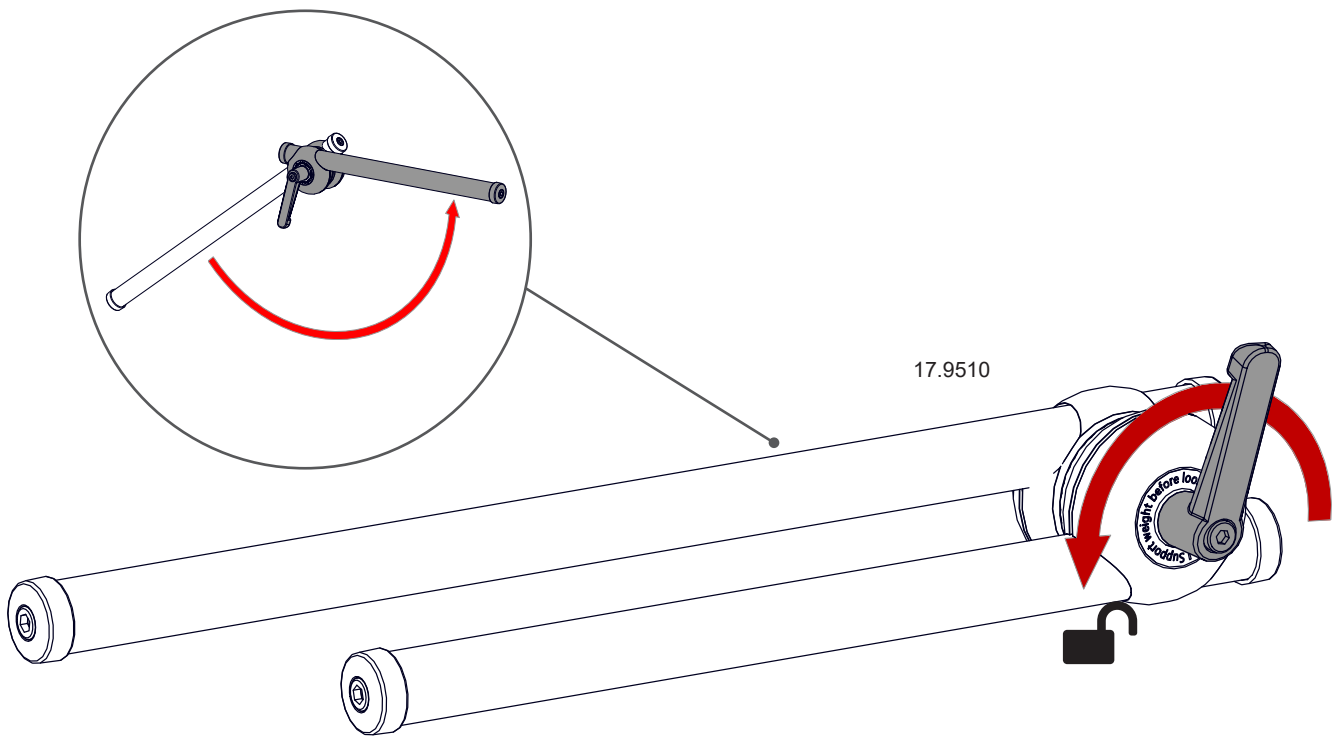


17.9561QP

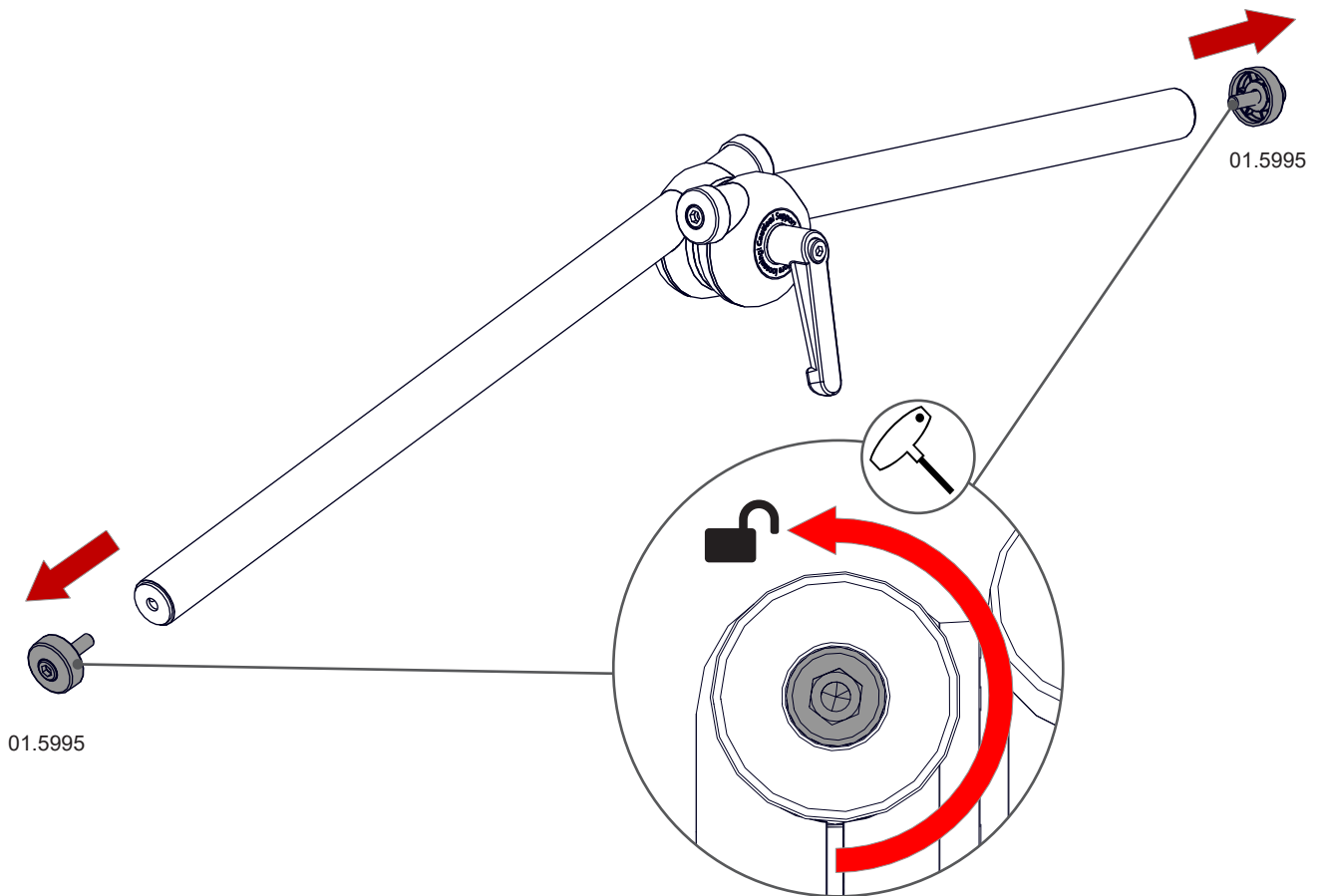


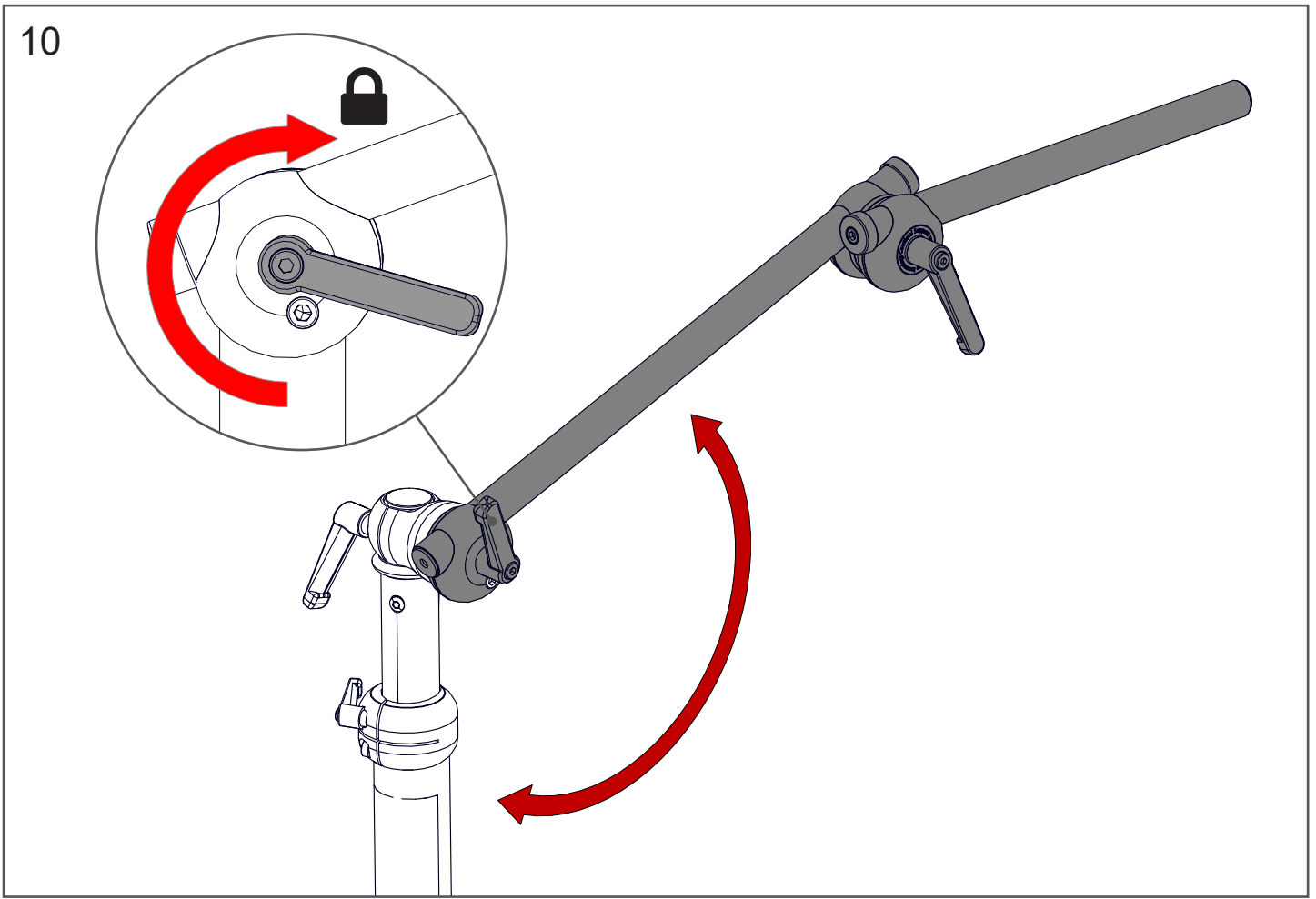
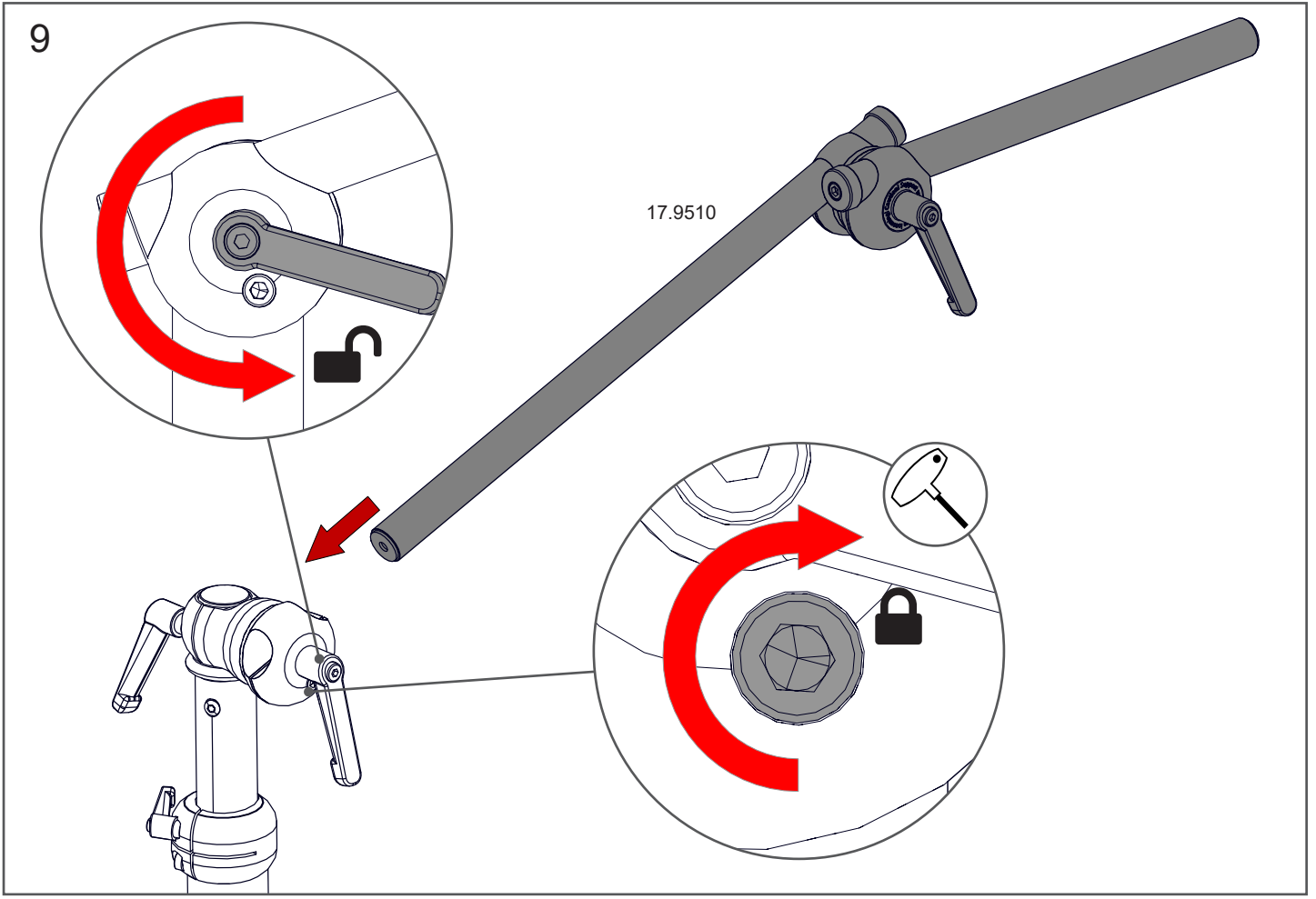
7

7



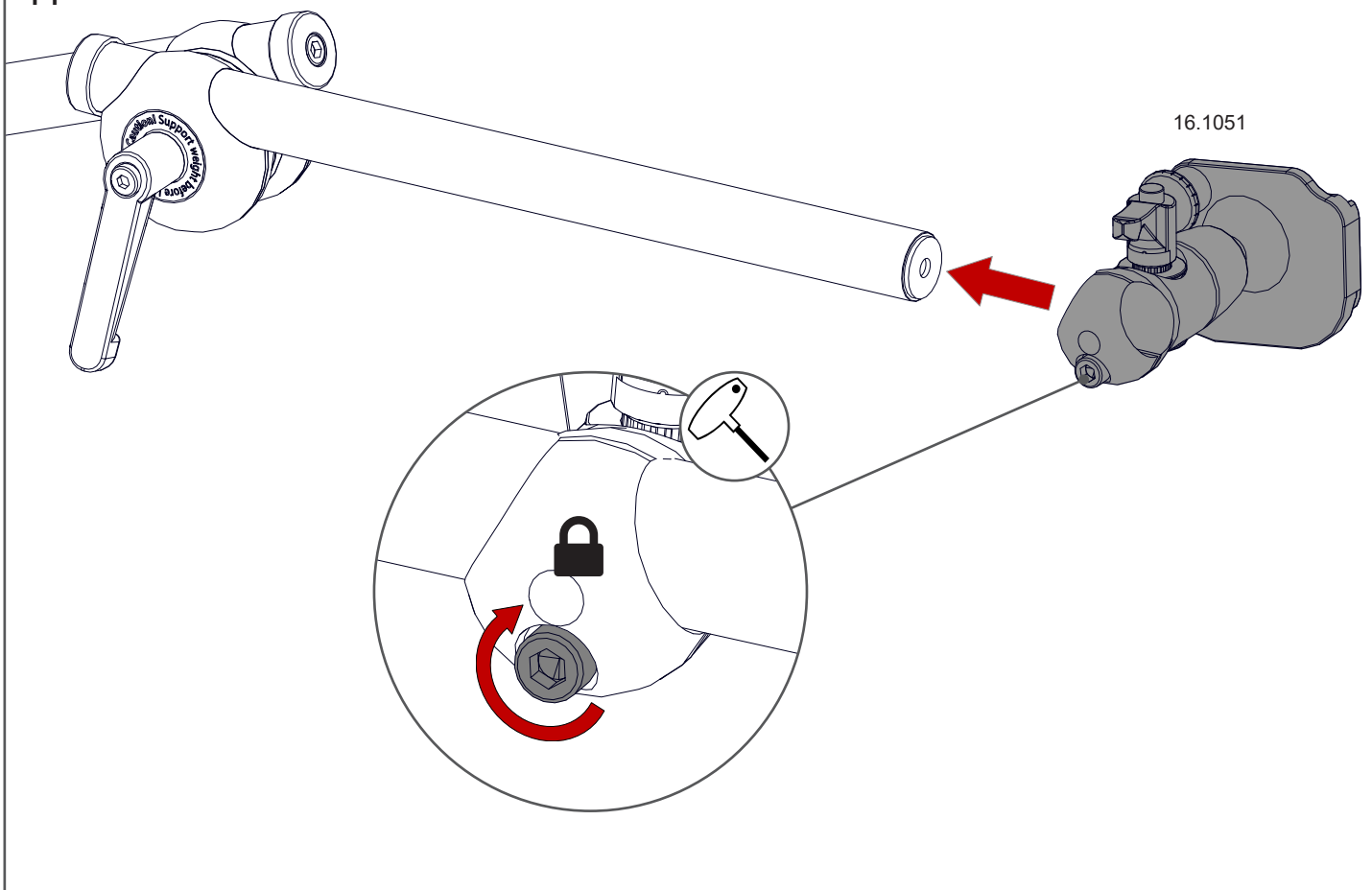
8



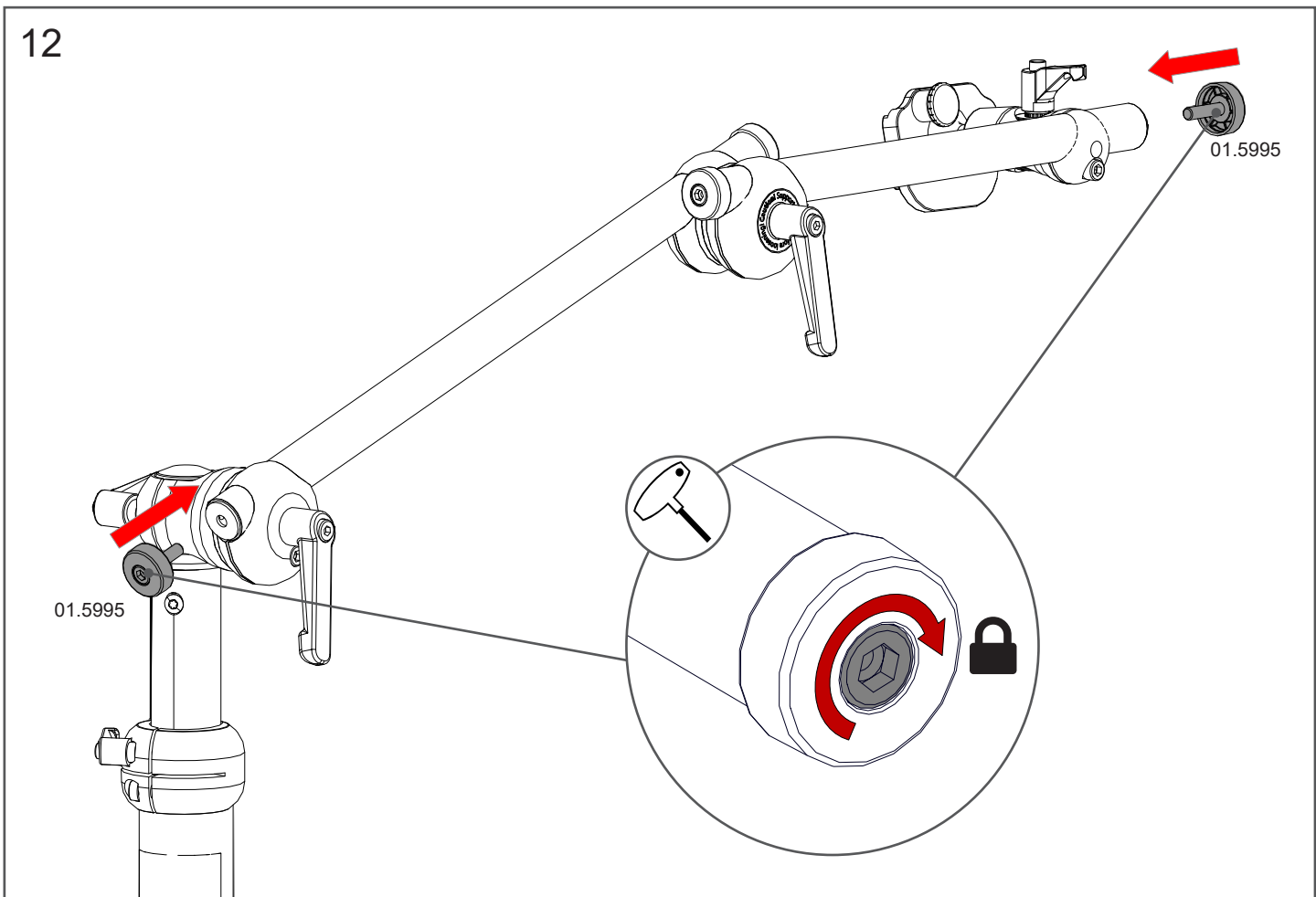


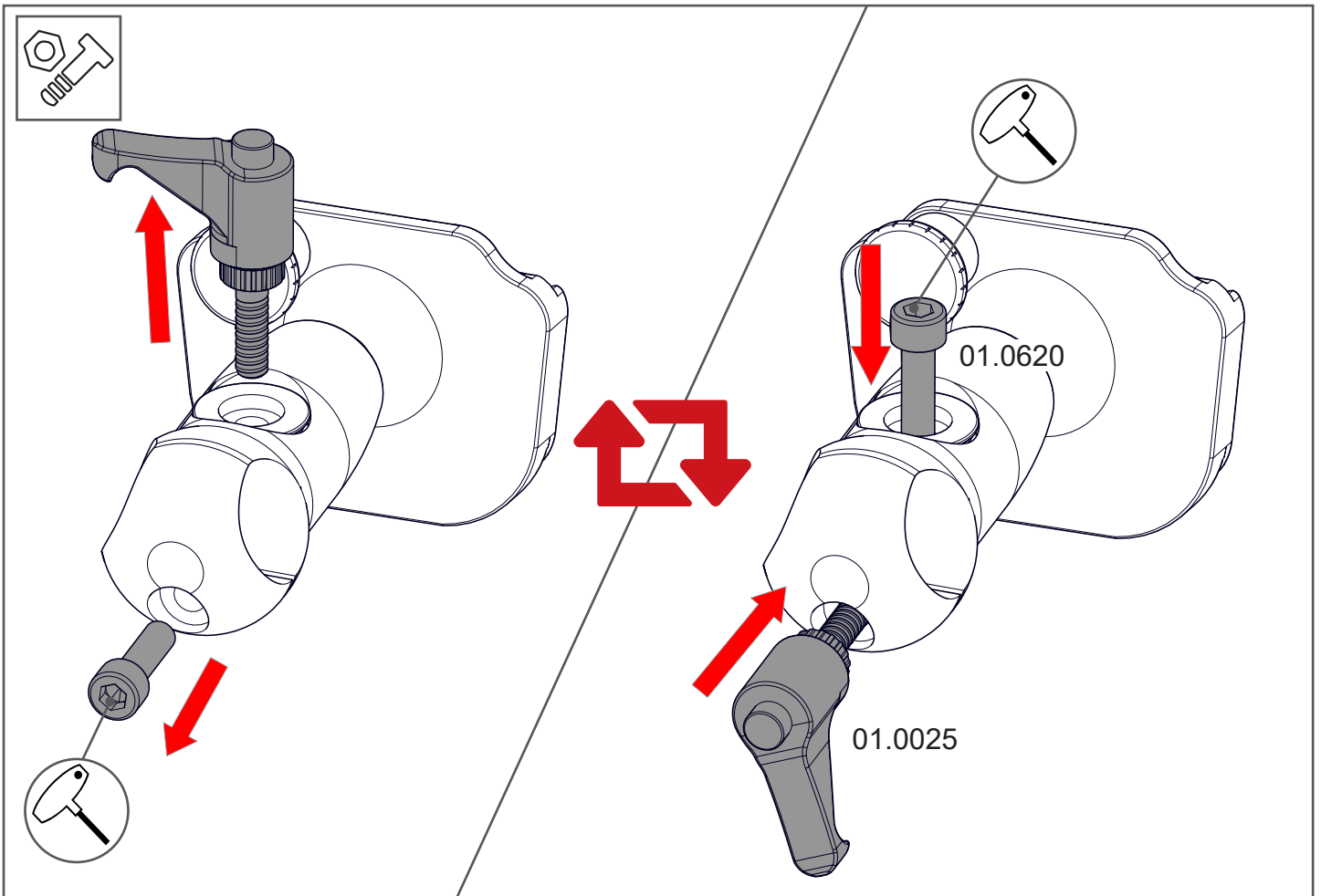
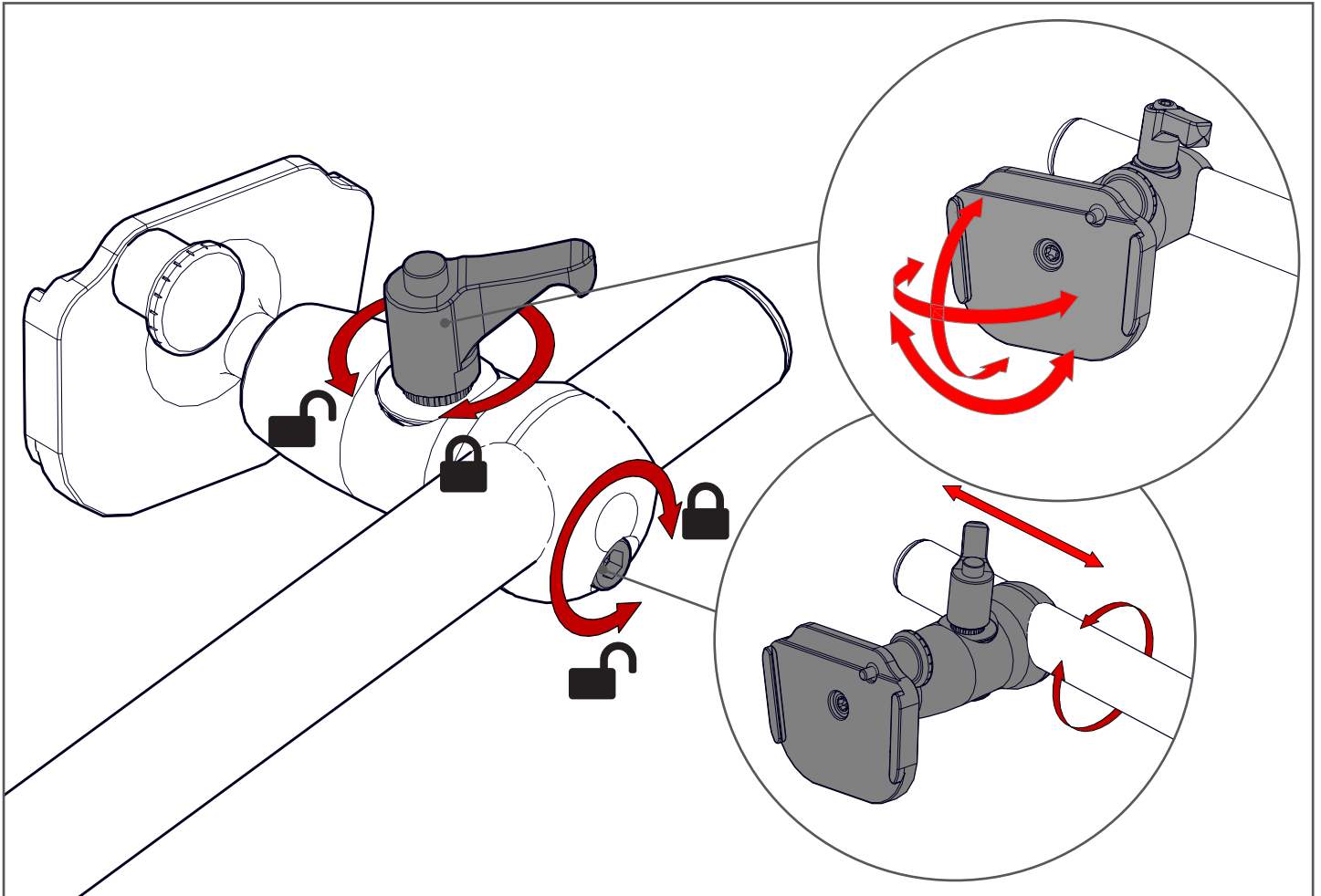


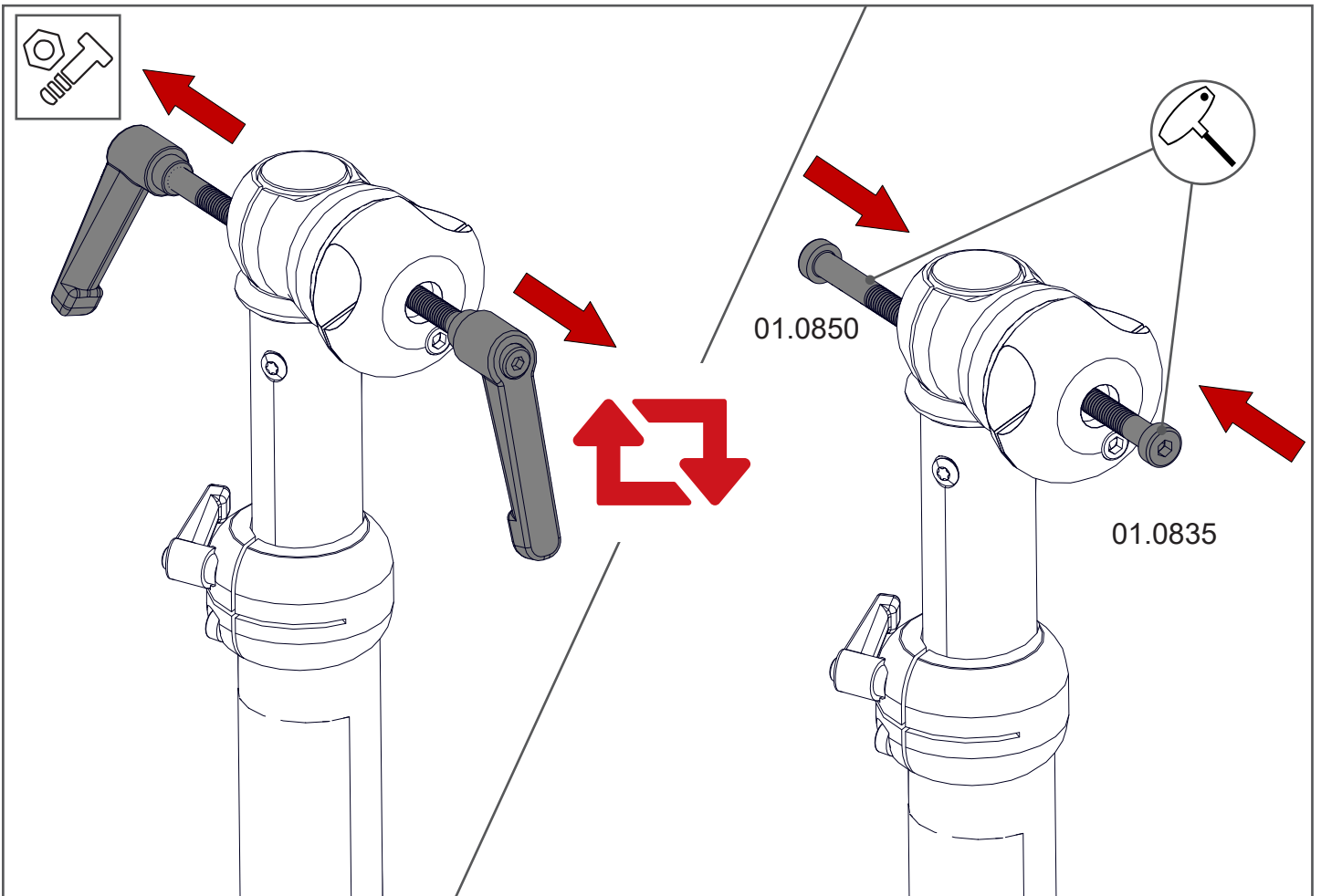
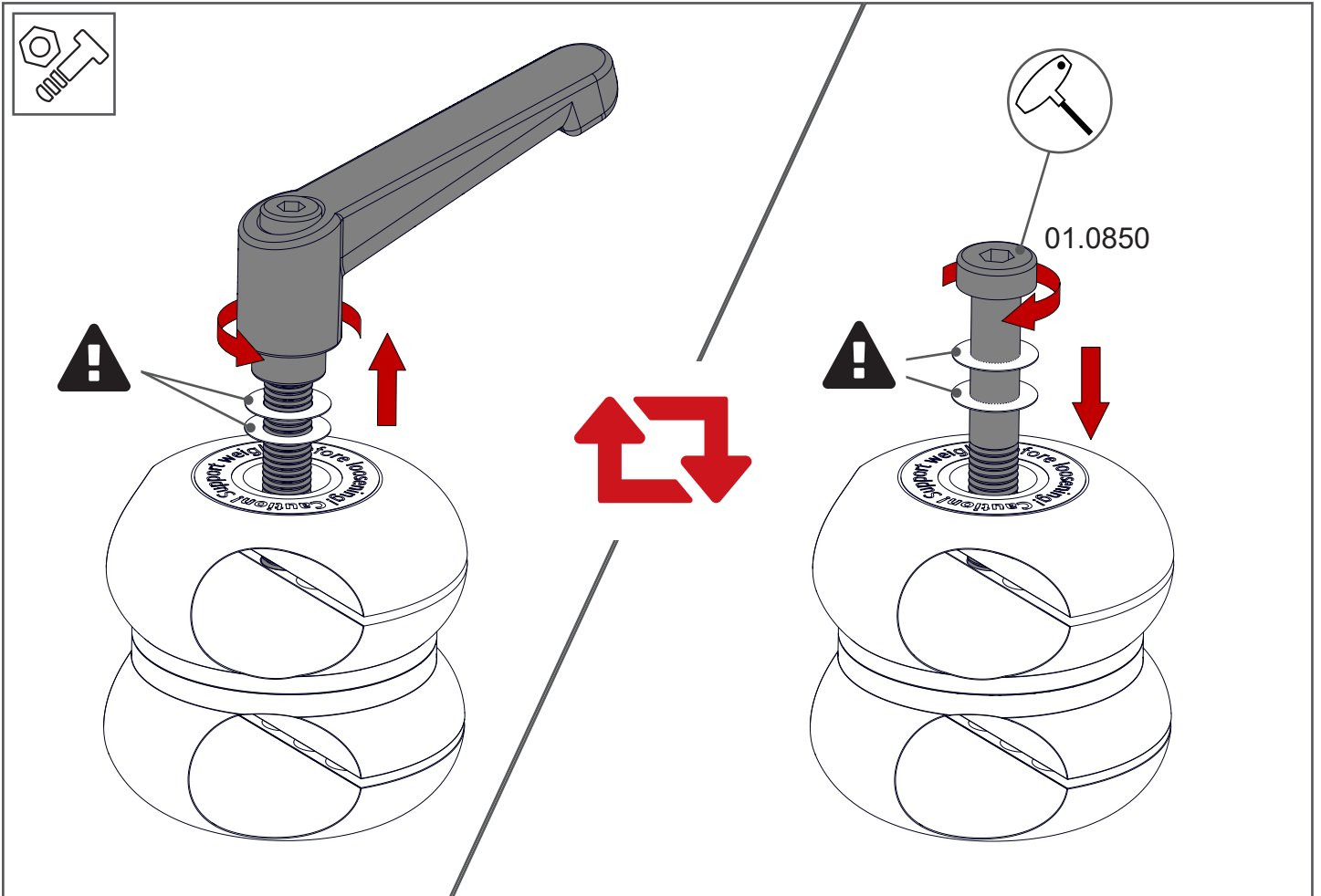
11

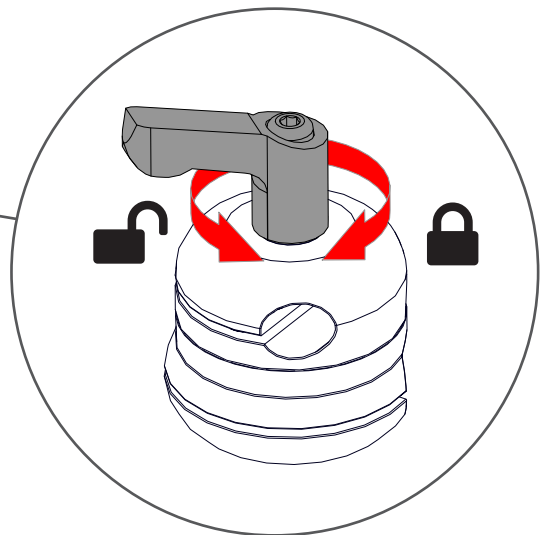
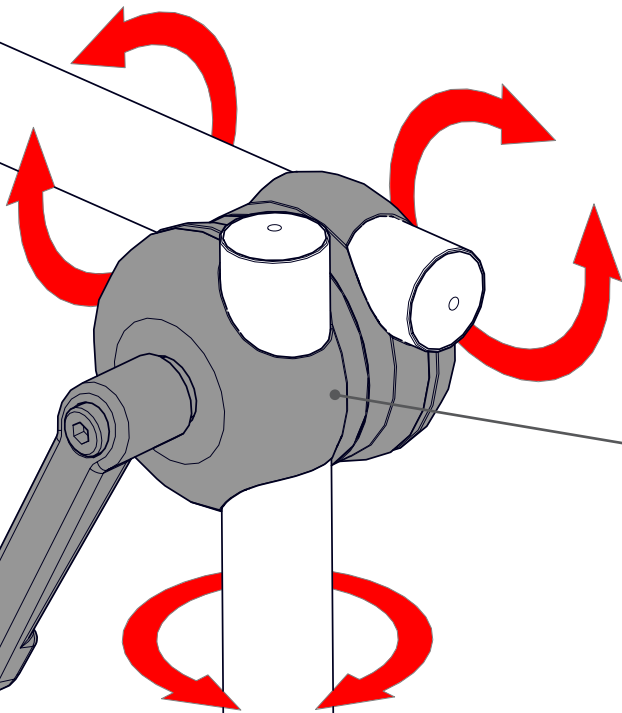
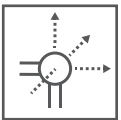
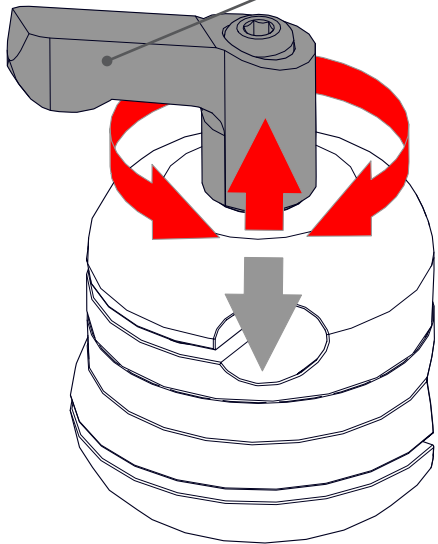
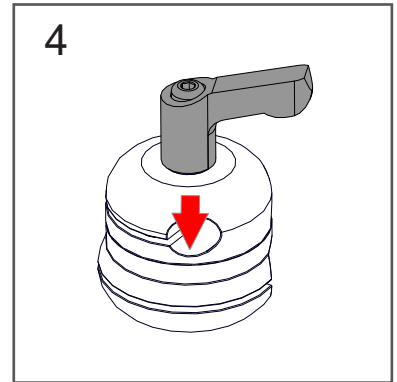
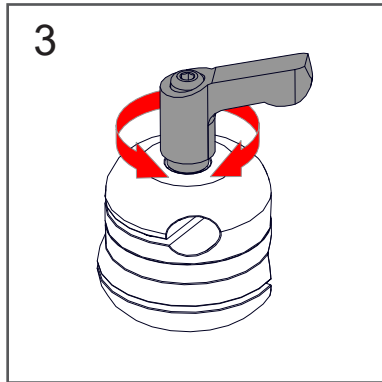
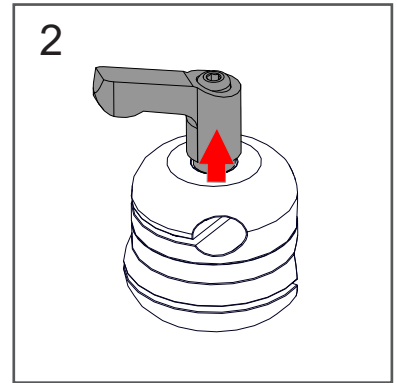
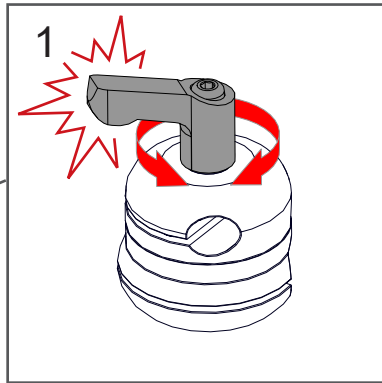
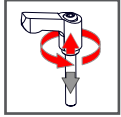


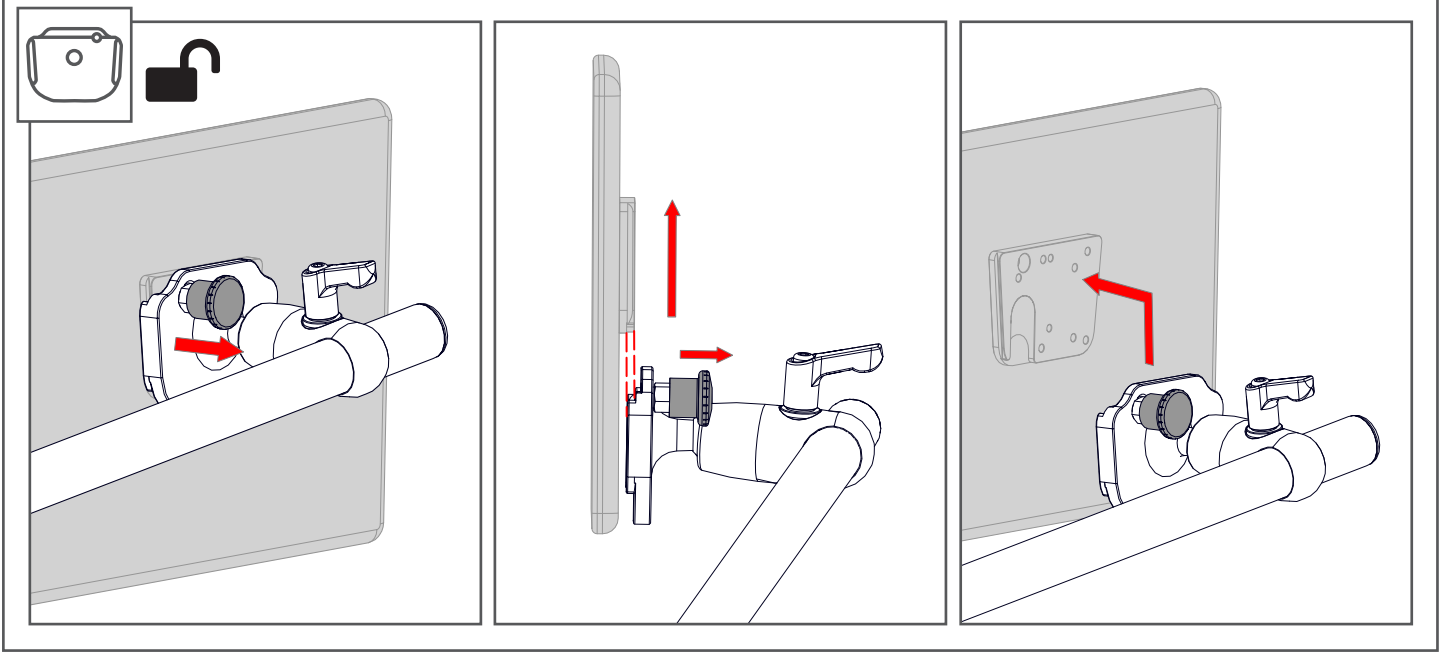
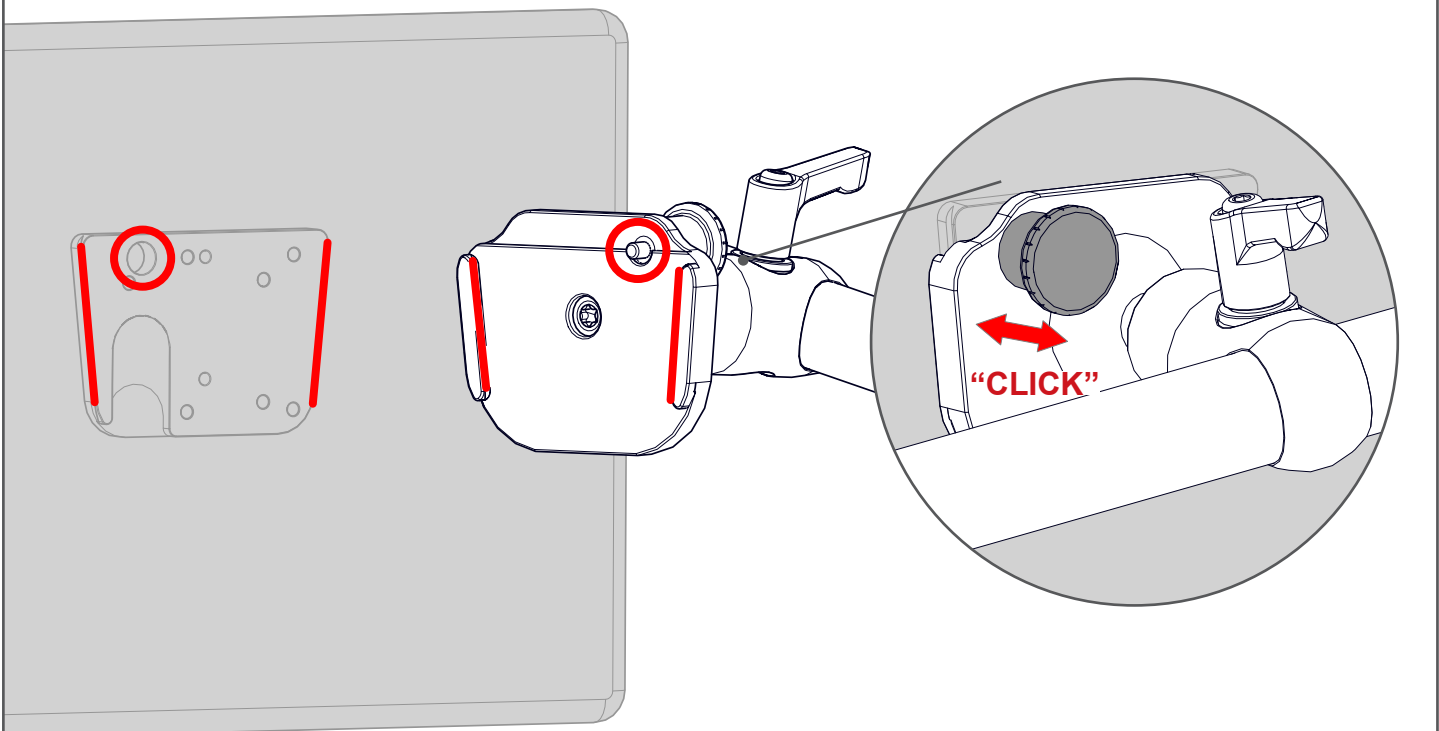
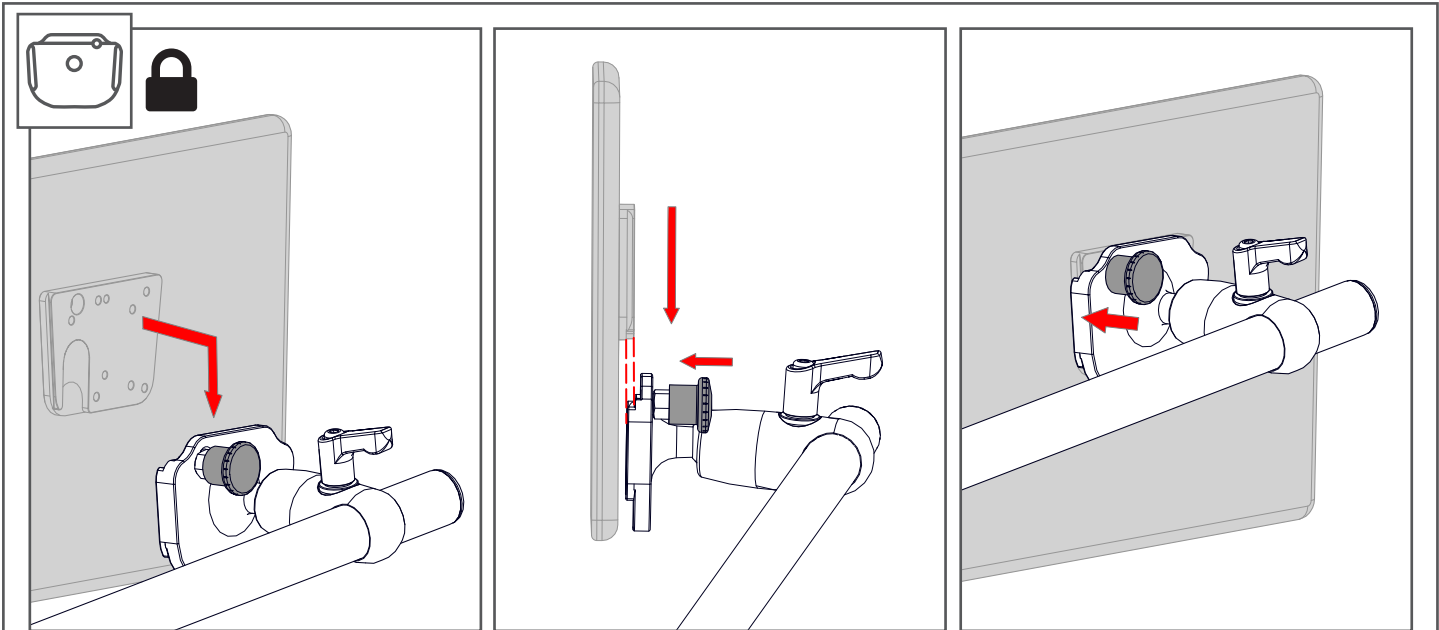
12



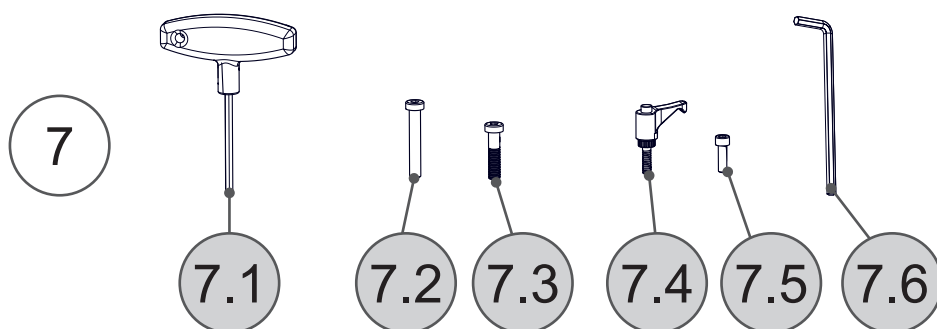
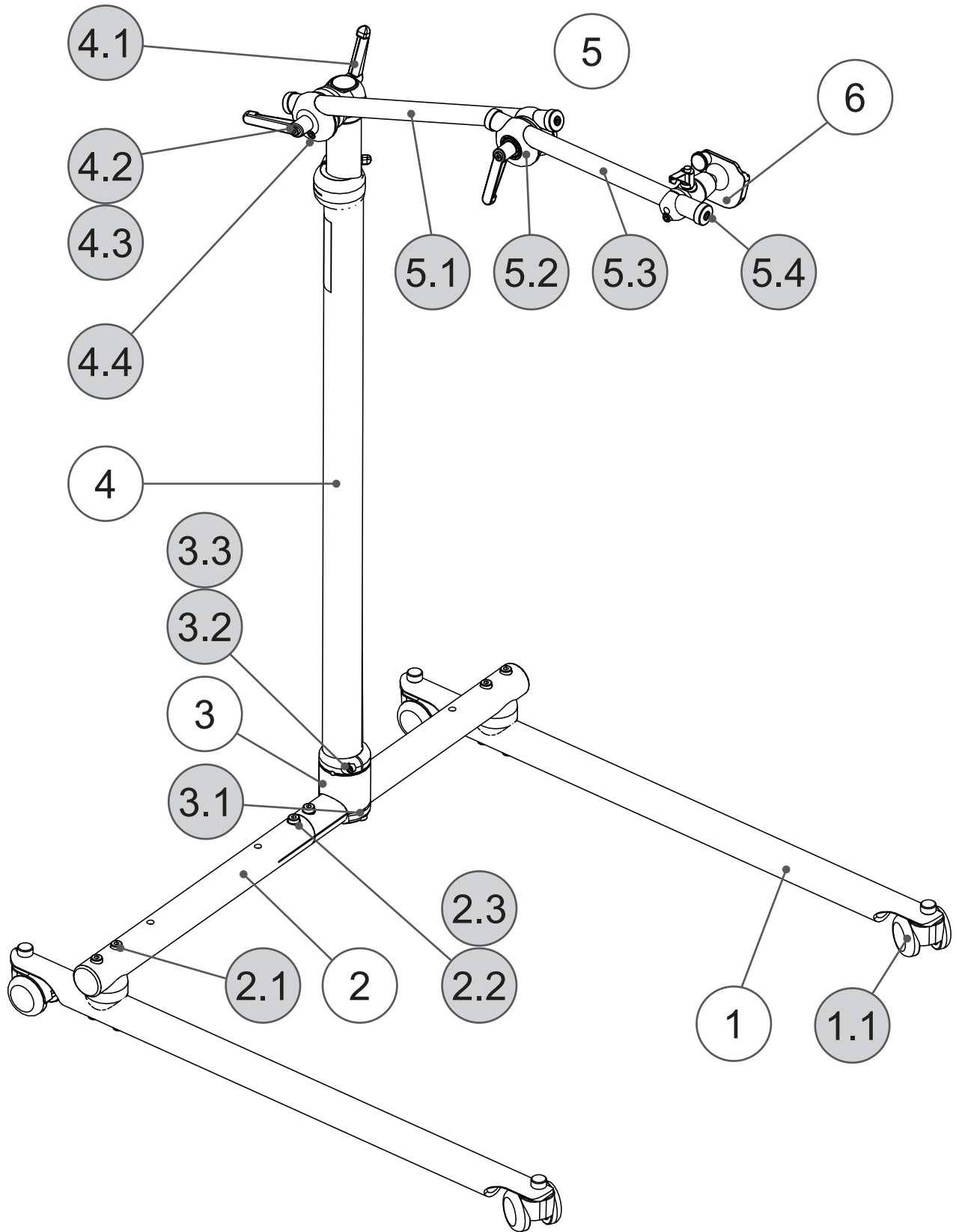






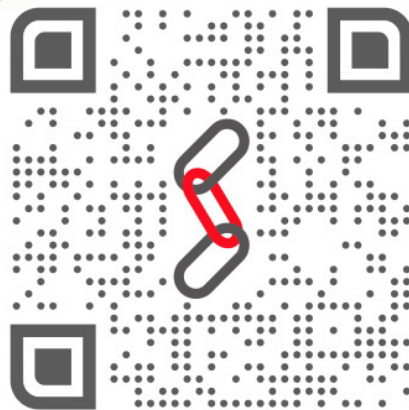






Pos.	No.	Bezeichnung	Description
1	17.9500	FS Bein	FS Leg
1.1	17.9540	FS Classic Doppelrolle	FS Classic Swivel Caster
2	17.9563	FS Traverse Vario	FS Traverse Vario
2.1	01.0850	Zylinderschraube M8x50	Cylinder head bolt M8x50
2.2	01.0369	Zylinderschraube M8x40	Cylinder head bolt M8x40
2.3	01.0394	Scheibe Ø8,4 mm	Washer Ø8.4 mm
3	17.9564	FS Knoten Lock	FS Node Lock
3.1	01.0835	Zylinderschraube M8x35	Cylinder head bolt M8x35
3.2	01.0620	Zylinderschraube M6x20	Cylinder head bolt M6x20
3.3	01.0393	Scheibe Ø6,4 mm	Washer Ø6.4 mm
4	17.9561QP	FS Säule VarioLock QP	FS Column VarioLock QP
4.1	01.0020	Klemmhebel M8x50	Clamping lever M8x50
4.2	01.0026	Klemmhebel M8x35	Clamping lever M8x35
4.3	01.0310	Passscheibe	Adjusting washer
4.4	01.0620	Zylinderschraube M6x20	Cylinder head bolt M6x20
5	17.9510	FS Arm	FS Arm
5.1	01.5520	Rohr Ø22x400 SOS	Tube Ø22x400 SOS
5.2	11.1350	M3D Uni QuickShift	M3D Uni QuickShift
5.3	01.5510	Rohr Ø22x300 SOS	Tube Ø22x300 SOS
5.4	01.5995	Abrutschsicherung	Slip-out safeguard
6	16.1051	UGA 22-DC	UDS 22-DC
7		Montagekit	Mounting kit
7.1	01.0027	T-Griff	T-Handle
7.2	01.0850	Zylinderschraube M8x50	Cylinder head bolt M8x50
7.3	01.0835	Zylinderschraube M8x35	Cylinder head bolt M8x35
7.4	01.0025	Klemmhebel M6x20	Clamping lever M6x20
7.5	01.0620	Zylinderschraube M6x20	Cylinder head bolt M6x20
7.6	01.0008	Innensechskantschlüssel 5mm	Allen wrench 5mm





Rehadapt Engineering
GmbH & Co. KG

📄 Heinrich-Hertz-Str. 104
34123 Kassel, Germany

☎ Tel.: +49 561 220 717 0
📠 Fax: +49 561 220 717 99

✉ officeteam@rehadapt.com
🌐 <https://rehadapt.com>



Rehadapt
North America

📄 40 Oser Ave, Suite 40-01
Hauppauge, NY 11788, USA

☎ Tel.: 1 (888) 635-6962
📠 Fax: 1 (888) 635-6962

✉ officeteam.na@rehadapt.com
🌐 <https://rehadapt.com>